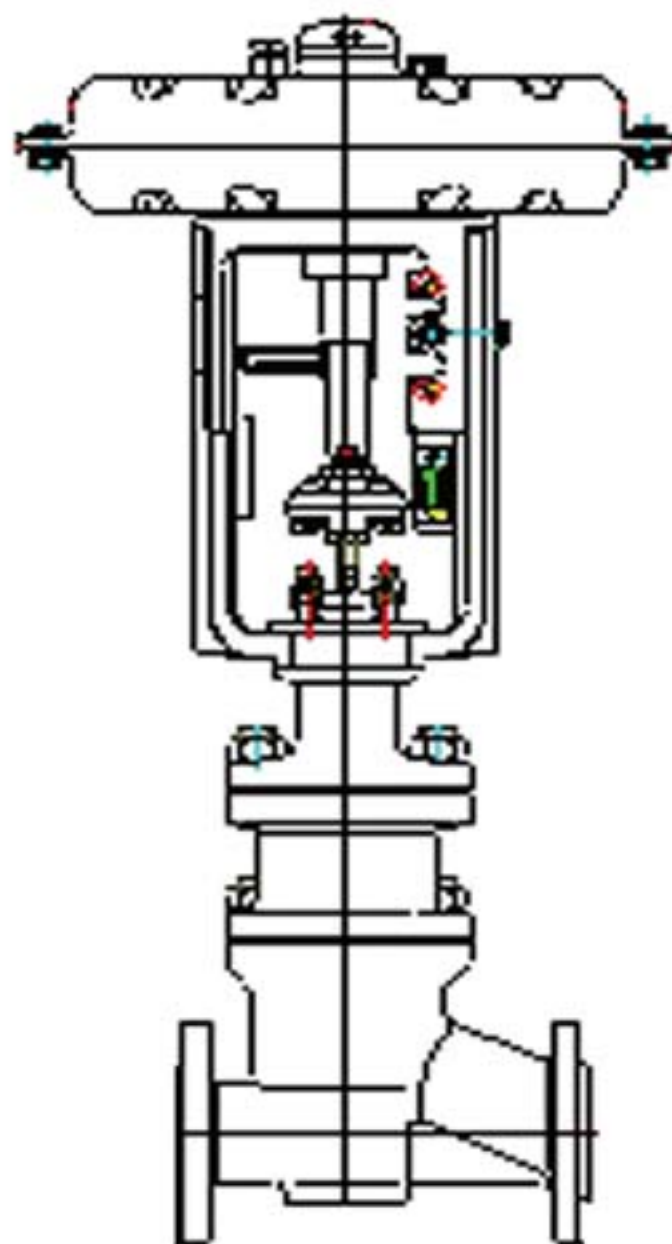


APF

衬塑波纹管调节阀

TEFLON-LINED BELLOWS CONTROL VALVE



APF 衬塑波纹管调节阀

概 要:

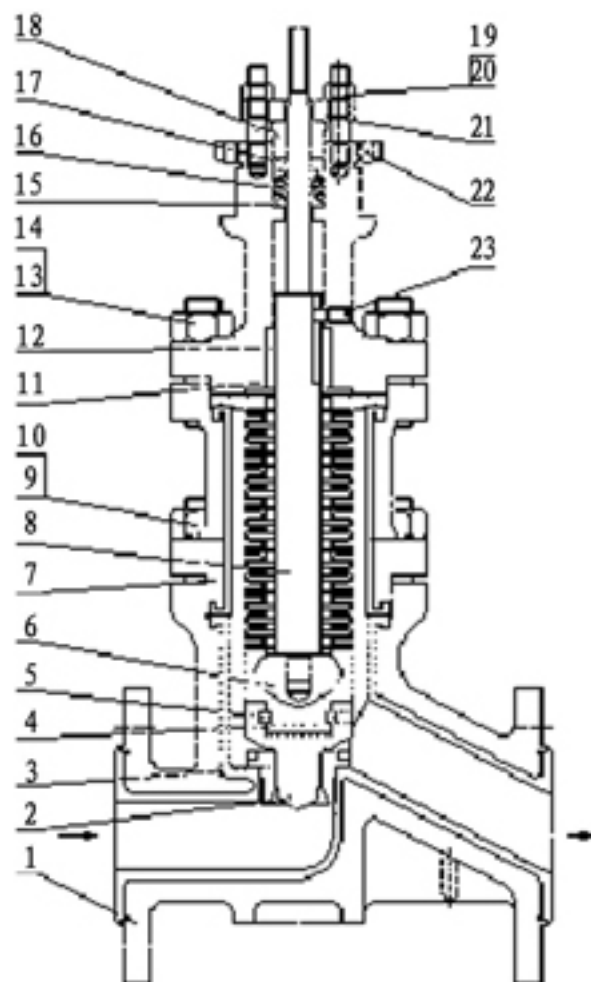
APF 衬塑波纹管调节阀是一种防腐蚀直通单座调节阀,与流体接触的阀体内壁和阀内组件都衬 F46 的防腐材料。阀内装有波纹管组件,阀芯顶端与聚四氟乙烯的波纹管下端密封连接,波纹管上端与阀体、支座、上阀盖用螺栓螺母密封连接,这样,波纹管将介质与外界隔绝,保证阀芯上下动作灵活。此阀几乎能抗所有化学介质(包括浓硝酸和王水)的腐蚀,且密封性优良,一旦波纹管损坏,调节阀填料还可起到第二道保护性密封。

APF Teflon-Lined Bellows control valve

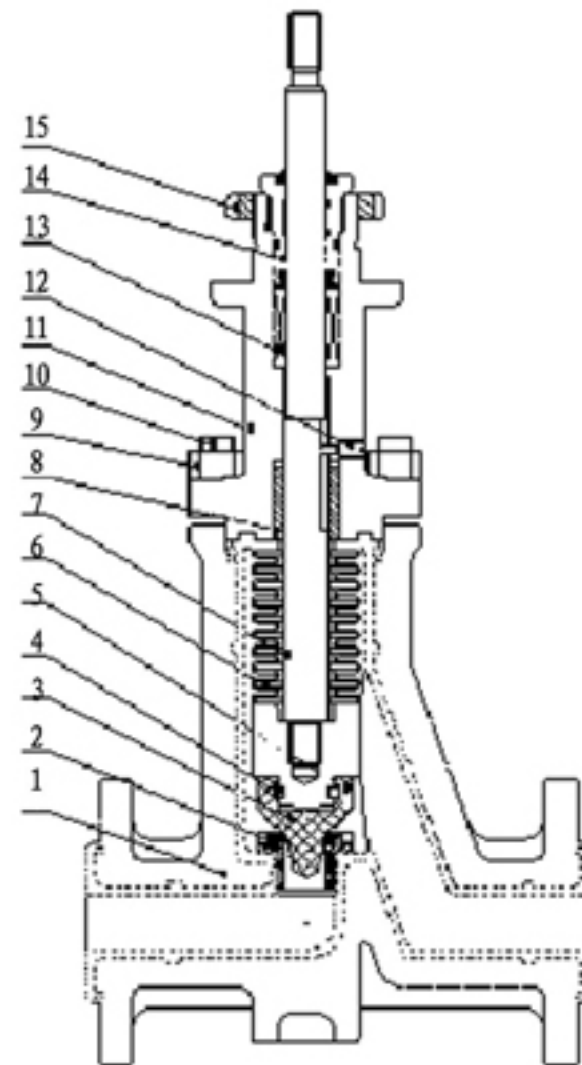
GENERAL

APF Teflon-lined Bellows Control Valve, a kind of single seated globe valve, can be anticorrosive. Inner wall of the body and the trim are lined with anticorrosive F46. The valve is mounted with teflon bellows. The lower end of bellows is seal-connected together with top end of plug and the top of the bellows is connected with intermediate bonnet and top bonnet are connected with bolt and nut to seal. In this way, the medium is isolated from environment by the bellow so as to ensure sealing and assure that the plug can move up and down smoothly. The valve can be applicable to almost all chemical mediums including thick nitric acid aqua fortis. And it has excellent sealing performance. Therefore, in case the bellows is damaged, packing can immediately act.

Note: The outline dimensions of the valves of PN16 and ANSI150# are the same.



配 HA 执行机构阀体组件图



配 MF 无管连接执行机构阀体组件图

配 HA 执行机构组件 Component with HA actuator

| 序号 NO. | 名称 Name | 材质 Material | 序号 NO. | 名称 Name | 材质 Material |
|--------|-------------|----------------|--------|-----------------|-------------|
| 1 | 阀体 Body | ZG25I+F46 | 13 | 六角螺母 Nut | Q235-A |
| 2 | 阀芯 Plug | PTFE+20%玻璃纤维 | 14 | 双头螺柱 Bolt | Q235-A |
| 3 | 阀座 Seat | PTFE+20%玻璃纤维 | 15 | 下衬垫 Gasket | 1Cr18Ni9 |
| 4 | 顶丝 Bolt | PTFE | 16 | 填料 Packing | PTFE |
| 5 | 连接条 Bond | PTFE+20%玻璃纤维 | 17 | 上衬垫 Gasket | 1Cr18Ni9 |
| 6 | 波纹管 Bellows | PTFE | 18 | 填料压盖 Gland ring | 1Cr18Ni9 |
| 7 | 支座 | ZG25I+F46 | 19 | 六角螺母 Nut | Q235-A |
| 8 | 阀杆 Stem | 0Cr17Ni12Mo2 | 20 | 双头螺柱 Bolt | Q235-A |
| 9 | 六角螺母 Nut | Q235-A | 21 | 压板 Gland flange | ZG25I |
| 10 | 双头螺柱 Bolt | Q235-A | 22 | 圆螺母 Nut | 45 |
| 11 | 上阀盖 Bonnet | ZG25I | 23 | 定位螺钉 Bolt | Q235-A |
| 12 | 导向套 Guide | 高镍铸铁 Cast iron | | | |

配 MF 执行机构组件 Component with MF actuator

| 序号 NO. | 名称 Name | 材质 Material | 序号 NO. | 名称 Name | 材质 Material |
|--------|-------------|----------------|--------|-----------------|-------------|
| 1 | 阀体 Body | ZG25I+F46 | 9 | 六角螺母 Nut | Q235-A |
| 2 | 阀座 Seat | PTFE+20%玻璃纤维 | 10 | 双头螺柱 Bolt | Q235-A |
| 3 | 阀芯 Plug | PTFE+20%玻璃纤维 | 11 | 上阀盖 Bonnet | ZG25I |
| 4 | 连接条 Bond | PTFE | 12 | 定位螺钉 Bolt | Q235-A |
| 5 | 顶丝 Bolt | PTFE+20%玻璃纤维 | 13 | 填料组件 Packing | PTFE |
| 6 | 波纹管 Bellows | PTFE | 14 | 填料压盖 Gland ring | 1Cr18Ni9 |
| 7 | 阀杆 Stem | 0Cr17Ni12Mo2 | 15 | 圆螺母 Nut | 45 |
| 8 | 导向套 Guide | 高镍铸铁 Cast iron | | | |

阀体部分 BODY

| | | | | | | | | | | |
|----------------------------------|---|------|------|------|------|------------------------|------|------|-------|-------|
| 形式 Type | 直通单座调节阀 Single seated control valves | | | | | | | | | |
| 公称口径 Body size | PN1.6MPa | DN20 | DN25 | DN32 | DN40 | DN50 | DN65 | DN80 | DN100 | DN150 |
| | ANSI 150# | | | | | | | | | |
| 阀芯形状 Plug form | 单座柱塞型阀芯 Single seated pole form | | | | | | | | | |
| 流量特性 Characteristics | 线性和等百分比特性(见图1) Liner and Equal percentage | | | | | | | | | |
| 阀内件材质 Trim materials | 阀座(PTFE+%20 玻璃纤维), 阀芯(PTFE+20%玻璃纤维), 波纹管(聚四氟乙烯) Seat(Reinforced Teflon), Plug (Reinforced Teflon), Bellows(PTFE) | | | | | | | | | |
| 公称压力 Body ratings | JB/T79.1 PN 16 ANSI Class 150 | | | | | | | | | |
| 连接方式 Body connections | 法兰型: RF 型符合 JB/T79.1 RF 型符合 ANSI B16.5 | | | | | | | | | |
| 法兰距(mm) Face to Face dimension | 20 | 25 | 32 | 40 | 50 | 65 | 80 | 100 | 150 | |
| | 184 | | 200 | 222 | 254 | 276 | 298 | 352 | 543 | |
| 阀体及上阀盖材质 Body&Bonnet Material | 阀体 ZG25I 衬 F46 Body ZG25I+F46 | | | | | 上阀盖 ZG25I Bonnet ZG25I | | | | |
| 上阀盖型式 Bonnet type | -30℃~ +150℃ | | | | | | | | | |
| 填料 Packing | 聚四氟乙烯 (PTFE) | | | | | | | | | |

执行机构 ACTUATOR

| HA 多弹簧式薄膜执行机构 HA Multi-Spring Diaphragm Actuator | | MF 无管连接多弹簧式薄膜执行机构 MF Null pipe Multi-Spring Diaphragm Actuator | |
|---|---|---|---|
| 膜片材料 Diaphragm Material | 乙丙橡胶夹尼龙 Ethylene propylene rubber and nylon | 膜片材料 Diaphragm Material | NBR(丁腈橡胶夹尼龙片) Buna-N |
| 弹簧压力 Spring range | 0.02 ~0.10 0.08~0.24MPa | 弹簧压力 Spring range | 0.075 ~0.15 0.15~0.3MPa |
| 供气压力 Air supply | 0.14 ,0.16 ,0.28 ,0.40 MPa | 供气压力 Air supply | Max 0.60 MPa |
| 气源接口 Air Connection | Re 1/4 | 气源接口 Air Connection | G 1/8 (MF2), G 1/4 (MF3) |
| 环境温度 Ambient Temp. | -30℃~ +70℃ | 环境温度 Ambient Temp. | -20℃~ +80℃ |
| 阀作用形式 Action | 气 - 关式, 气 - 开式 Aie to valve shut , Aie to valve open | 阀作用形式 Action | 气 - 关式, 气 - 开式 Aie to valve shut , Aie to valve open |
| 附 件 定位器、手轮机构、阀位传送器等 | | | |

性能 PERFORMANCE

| 项目 (Item) | 带定位器 With positioner | 不带定位器 No positioner |
|---------------|---|-----------------------------------|
| 回差 Hysteresis | 1% | HA1 5% HA2~4 3% MF2, MF3 3% |
| 线性 Linearity | HA1 ±5% HA2~4(带 HEP) ±1% MF2, MF3 ±1% | ±5% |

泄漏量 SEAT LEAKAGE 不超过额定 Cv 值的 0.001% No more than 0.001% of Cv

Cv 值行程 Cv VALUE STROKE(表一)

表一 (table 1)

单位: mm

| 公称通径 Valve size | 20 | | | | 25 | | | | | 32 | | | 40 | | | | 50 | | | 65 | | | 80 | | | 100 | | | 150 | | |
|-----------------|------|-----|-----|-----|-----|-----|-----|-----|----|-----|----|----|----|----|----|----|----|----|----|----|----|----|----|-----|----|-----|-----|-----|-----|-----|--|
| 阀座直径 seat size | 10 | 12 | 15 | 20 | 10 | 12 | 15 | 20 | 25 | 20 | 25 | 32 | 25 | 32 | 40 | 32 | 40 | 50 | 40 | 50 | 65 | 50 | 65 | 80 | 65 | 80 | 100 | 100 | 125 | 150 | |
| 额定 Cv 值 | 1.4 | 2.4 | 4.6 | 8.0 | 1.4 | 2.4 | 4.6 | 8.0 | 14 | 8.0 | 10 | 17 | 10 | 17 | 30 | 17 | 30 | 50 | 30 | 50 | 85 | 50 | 85 | 125 | 85 | 125 | 175 | 175 | 275 | 360 | |
| 行程 Strok | 14.3 | | | | | | | | 25 | | | | | | | | 38 | | | | | | | | 50 | | | | | | |

允许压差(HA 执行机构 ALLOWABLE PRESSURE DROPS(表二)

表二 (table 2)

| 作用形式 Action | 执行机构 Actuator | 供气压力 Air supply (Mpa) | 弹簧范围 Spring range(Mpa) | 定位器 Posi-tioner | 允许压差 (Mpa) Allowable pressure drops) | | | | | | | | | | | | | |
|-----------------|---------------|-----------------------|------------------------|-----------------|--------------------------------------|------|------|------|------|------|------|------|------|------|------|------|------|--|
| | | | | | 阀座直径 (mm) Seat size | | | | | | | | | | | | | |
| | | | | | 10 | 12 | 15 | 20 | 25 | 32 | 40 | 50 | 65 | 80 | 100 | 125 | 150 | |
| 气关式 Air to shut | HA2D | 0.14 | 0.02~0.10 | 有或无 | 1.0 | 0.88 | 0.57 | 0.32 | 0.22 | 0.13 | 0.09 | 0.05 | - | - | - | - | - | |
| | | 0.16 | 0.02~0.10 | 有 | - | 1.0 | 1.0 | 1.0 | 1.0 | 0.67 | 0.49 | 0.27 | - | - | - | - | - | |
| | | 0.40 | 0.08~0.24 | 有 | - | - | - | - | 1.0 | 1.0 | 1.0 | 0.75 | - | - | - | - | - | |
| | HA3D | 0.14 | 0.02~0.10 | 有或无 | - | - | - | - | - | - | 0.17 | 0.10 | 0.06 | 0.04 | 0.02 | 0.01 | 0.01 | |
| | | 0.16 | 0.02~0.10 | 有 | - | - | - | - | - | - | 0.85 | 0.49 | 0.31 | 0.21 | 0.12 | 0.07 | 0.04 | |
| | | 0.40 | 0.08~0.24 | 有 | - | - | - | - | - | - | 1.0 | 1.0 | 0.90 | 0.65 | 0.37 | 0.23 | 0.14 | |
| 气开式 Air to open | HA2R | 0.14 | 0.02~0.10 | 有或无 | 1.0 | 0.88 | 0.57 | 0.32 | 0.22 | 0.13 | 0.09 | 0.05 | - | - | - | - | | |
| | | 0.28 | 0.08~0.24 | 有 | - | - | - | - | 1.0 | 0.95 | 0.39 | 0.39 | - | - | - | - | - | |
| | HA3R | 0.14 | 0.02~0.10 | 有或无 | - | - | - | - | - | - | 0.17 | 0.10 | 0.06 | 0.04 | 0.02 | 0.01 | 0.01 | |
| | | 0.28 | 0.08~0.24 | 有 | - | - | - | - | - | - | 1.0 | 0.60 | 0.43 | 0.30 | 0.17 | 0.10 | 0.06 | |

备注: 当允许压差超过本表规定时, 可按特殊品定货

(Note :when allowable pressure drop over the table, may speciall manufacture)

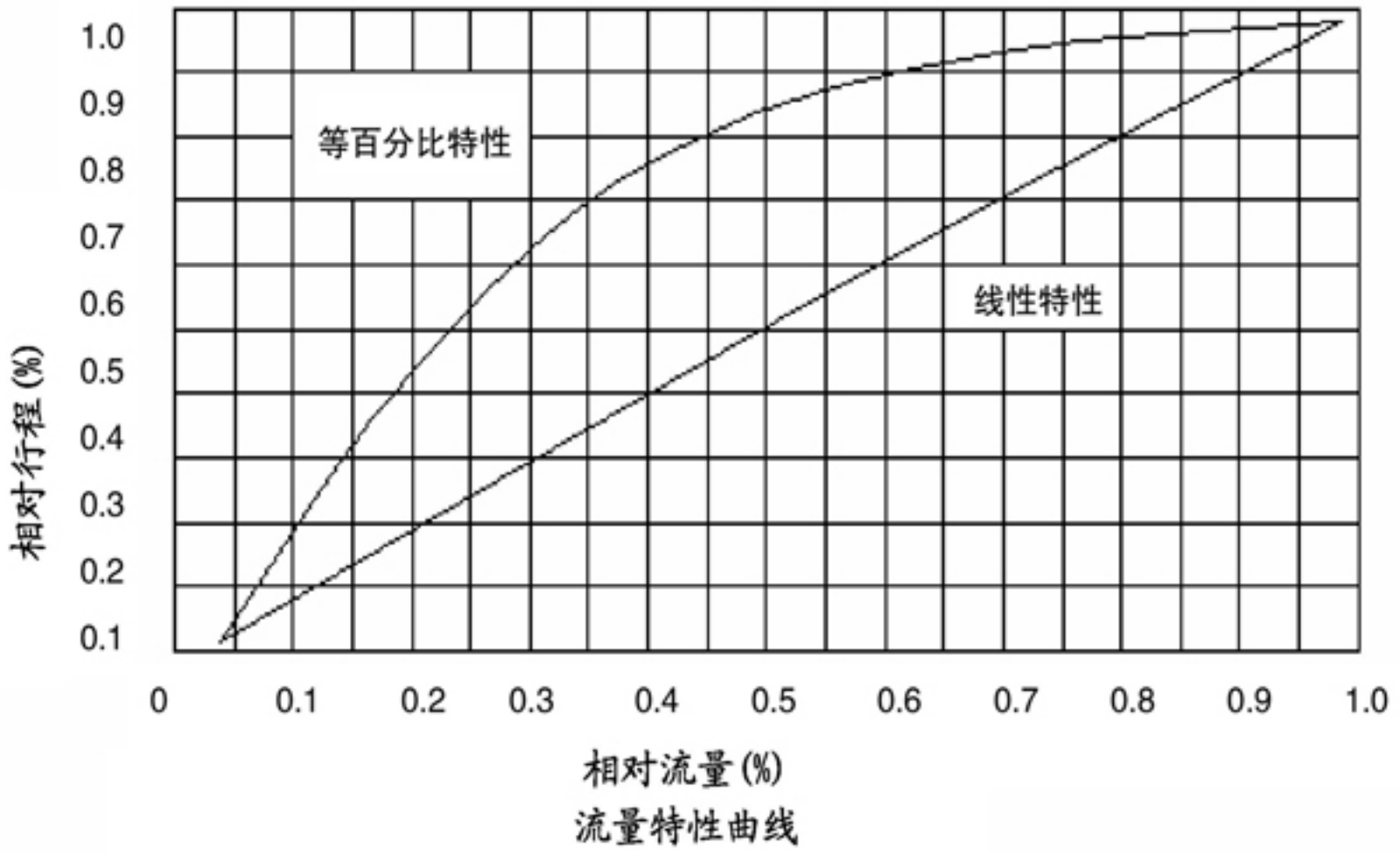
表三 (table 3)

| 执行机构 MF2、3 系列 Actuator MF2、MF3 Series | | | | | 弹簧数量(气开) Number of spring (Air to open) | | | | 弹簧数量(气关) Number of spring (Air to close) | | | | |
|---------------------------------------|------------------------|---|------|----------------------------------|--|------|------|------|---|-----|-----|-----|-----|
| 公称通径 Valve size DN(mm) | 最大行程 Stroke (mm) | 执行机构尺寸参数 Actuator Specification | Cv 值 | 阀座 直径 Seat Size (mm) | 3 | 6 | 9 | 12 | 3 | 3 | 3 | 6 | 6 |
| | | | | | | | | | 供气压力(Air supply) | | | | |
| | | | | | | | | | 3.0 | 4.5 | 6.0 | 4.5 | 6.0 |
| 20 | 14.3 | MF2 ^D _R 63(6)B (320cm ²) | 1.4 | 10 | 1.0 | - | - | - | 1.0 | 1.0 | - | - | - |
| | | | 2.4 | 12 | 1.0 | - | - | - | 1.0 | 1.0 | - | - | - |
| | | | 4.6 | 15 | 1.0 | - | - | - | 1.0 | 1.0 | - | - | - |
| | | | 8.0 | 20 | 1.0 | - | - | - | 1.0 | 1.0 | - | - | - |
| 25 | 14.3 | MF2 ^D _R 63(6)B (320cm ²) | 1.4 | 10 | 1.0 | - | - | - | 1.0 | 1.0 | - | - | - |
| | | | 2.4 | 12 | 1.0 | - | - | - | 1.0 | 1.0 | - | - | - |
| | | | 4.6 | 15 | 1.0 | - | - | - | 1.0 | 1.0 | - | - | - |
| | | | 8.0 | 20 | 1.0 | - | - | - | 1.0 | 1.0 | - | - | - |
| | | | 14 | 25 | 1.0 | - | - | - | 1.0 | 1.0 | - | - | - |
| 32 | 25 | MF2 ^D _R 53(6)B (320cm ²) | 8.0 | 20 | 1.0 | - | - | - | 1.0 | 1.0 | - | - | - |
| | | | 10 | 25 | 1.0 | - | - | - | 1.0 | 1.0 | - | - | - |
| | | | 17 | 32 | 1.0 | - | - | - | 1.0 | 1.0 | - | - | - |
| 40 | 25 | MF2 ^D _R 53(6)B (320cm ²) | 10 | 25 | 1.0 | - | - | - | 1.0 | 1.0 | - | - | - |
| | | | 17 | 32 | 1.0 | - | - | - | 1.0 | 1.0 | - | - | - |
| | | | 30 | 40 | 0.7 | 1.0 | - | - | 1.0 | 1.0 | - | - | - |
| 50 | 25 | MF2 ^D _R 53(6)B (320cm ²) | 17 | 32 | 1.0 | - | - | - | 1.0 | 1.0 | - | - | - |
| | | | 30 | 40 | 0.8 | 1.0 | - | - | 1.0 | 1.0 | - | - | - |
| | | | 50 | 50 | 0.7 | 1.0 | - | - | 1.0 | 1.0 | - | - | - |
| 65 | 38 | MF2 ^D _R -1XX (320cm ²) | 30 | 40 | 0.8 | 1.0 | - | - | 1.0 | 1.0 | - | - | - |
| | | | 50 | 50 | 0.7 | 1.0 | - | - | 1.0 | 1.0 | - | - | - |
| | | | 85 | 65 | 0.7 | 1.0 | - | - | 0.8 | 1.0 | - | - | - |
| 80 | 38 | MF3 ^D _R -1XX (720cm ²) | 50 | 50 | 1.0 | - | - | - | 1.0 | 1.0 | - | - | - |
| | | | 85 | 65 | 1.0 | - | - | - | 1.0 | 1.0 | - | - | - |
| | | | 125 | 80 | 0.6 | 0.8 | 1.0 | - | 0.8 | 1.0 | - | - | - |
| 100 | 38 | MF3 ^D _R -1XX (720cm ²) | 85 | 65 | 1.0 | - | - | - | 1.0 | - | - | - | - |
| | | | 125 | 80 | 0.6 | 0.8 | 1.0 | - | 0.8 | 1.0 | - | - | - |
| | | | 175 | 100 | 0.3 | 0.6 | 0.82 | 1.0 | 0.6 | 0.8 | - | - | - |
| 150 | 50 | MF3 ^D _R -1XX (720cm ²) | 175 | 100 | 0.3 | 0.6 | 0.82 | 1.0 | 0.6 | 0.8 | - | - | - |
| | | | 275 | 125 | 0.2 | 0.4 | 0.53 | 0.65 | 0.6 | 0.8 | - | - | - |
| | | | 360 | 150 | - | 0.28 | 0.36 | 0.49 | - | 0.5 | - | 0.7 | 1.0 |

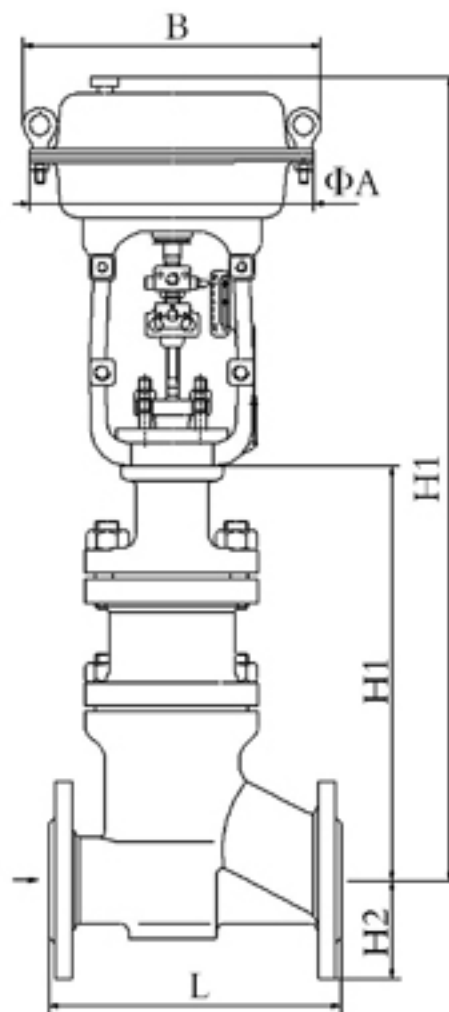
备注:当允许压差超过本表规定时,可按特殊品定货(Note :when allowable pressure drop over the table,may especially manufacture)

流量特性

FLOW CHARACTERISTICS (图一)



外形尺寸 APPERANCE SIZE(配 HA 执行机构)(表四)



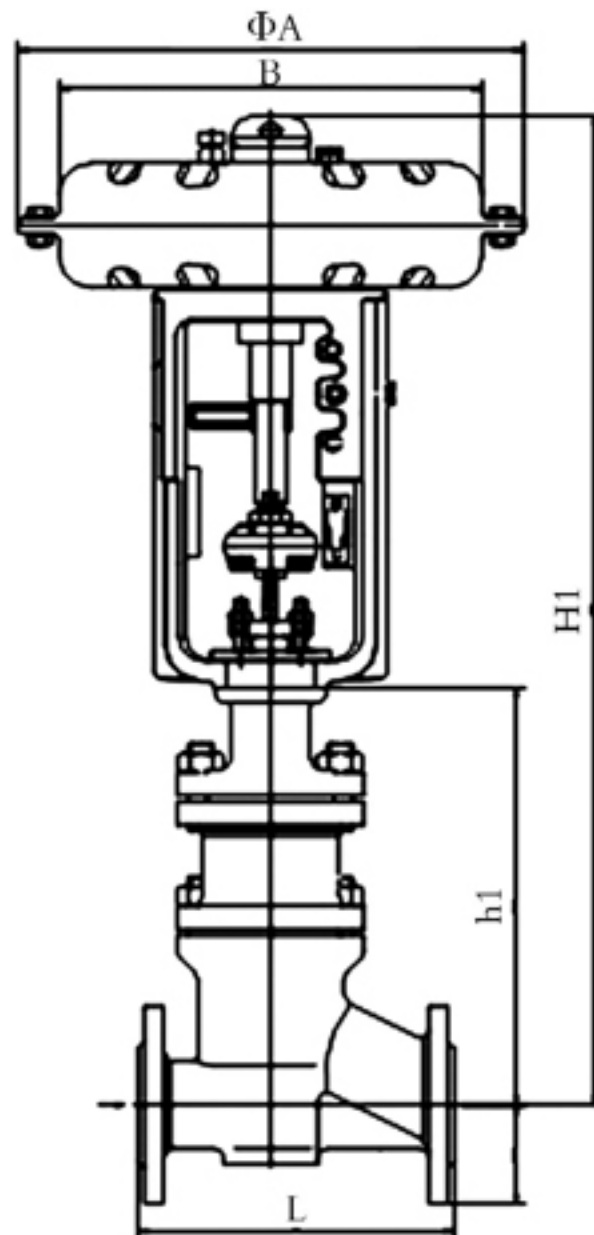
表四 (table 4)

单位(Unit):mm

| 公称通径 Body size | | 20 | 25 | 32 | 40 | 50 | 65 | 80 | 100 | 150 |
|------------------------|------------|------------|------|------------|------------|------------|-------------|-------------|------------|-------------|
| 外形尺寸 Apperance size | L | 184 | 200 | 222 | 254 | 276 | 298 | 352 | 543 | |
| | B | 281(配 HA2) | | | 281(配 HA2) | 281(配 HA2) | 363(配 HA3) | 363(配 HA3) | 363(配 HA3) | 363(配 HA3) |
| | | | | | 363(配 HA3) | | 520(配 HA4) | 520(配 HA4) | 520(配 HA4) | 520(配 HA4) |
| | H1 | 529 | | | 613(配 HA2) | 620 | 826(配 HA3) | 835(配 HA3) | | 962(配 HA3) |
| | | | | | 686(配 HA3) | | 1031(配 HA4) | 1040(配 HA4) | | 1115(配 HA4) |
| | h1 | 195 | 279 | | | 286 | 419 | 428 | | 503 |
| | H2 | 57.5 | 72.5 | | | 80 | 90 | 97.5 | 107.5 | 140 |
| φA | 267(配 HA2) | | | 267(配 HA2) | 267(配 HA3) | 350(配 HA3) | 350(配 HA3) | 350(配 HA3) | 350(配 HA3) | |
| | | | | 350(配 HA3) | | 470(配 HA4) | 470(配 HA4) | 470(配 HA4) | 470(配 HA4) | |

备注:PN16 与 ANSI 150# 外形尺寸通用

Note: The outline dimensions of the valves of PN16 and ANSI150# are the same.

外形尺寸 APPERANCE SIZE(配 MF 执行机构)(表五)


表五 (table 5)

单位(Unit):mm

| 公称通径 Body size | | 20 | 25 | 32 | 40 | 50 | 65 | 80 | 100 | 150 |
|------------------------|----------|------------------------------------|----|------------------------------------|-----|-----|--------------------|------|-------|------|
| 外形尺寸 Apperance size | L | 184 | | 200 | 222 | 254 | 276 | 298 | 352 | 543 |
| | B | 228 配 MF2 $\frac{D}{R}$ -63(6)B | | 228 配 MF2 $\frac{D}{R}$ -53(6)B | | | 334(配 MF3 D R-1XX) | | | |
| | H1 | 549 | | 677 | | 684 | 1037 | 1046 | | 1121 |
| | h1 | 195 | | 279 | | 286 | 419 | 428 | | 503 |
| | H2 | 57.5 | | 72.5 | | 80 | 90 | 97.5 | 107.5 | 140 |
| | ϕA | 270 | | | | | 400 | | | |

备注:PN16 与 ANSI 150# 外形尺寸通用

Note: The outline dimensions of the valves of PN16 and ANSI150# are the same.

订货须知: Ordering information

防腐衬氟塑阀门应用的注意点:衬塑阀门价格大大低于耐腐蚀不锈钢阀门和哈氏合金阀门,特殊条件下,强腐蚀介质金属阀都不能用,只有衬塑阀能长时间使用。但衬塑阀门必须合理应用,应注意使用压力和工作温度等几项使用技术条件,说明如下:

While ordering, please pay attention that the price of teflon-lined valve is considerably less than other valves made of corrosion prevention steel, such as Hastelloy C and B. Under severe condition of deepetching medium, almost all valves are useless except the teflon-lined valve for a long time. But the teflon-lined valve must be used reasonably and following items should be noticed and detailed as follows:

(1)衬氟塑阀门使用的介质温度:各类衬氟塑阀门,采用的氟塑料是 F46 (FEP),使用的介质温度不能超过 150℃ (介质温度短时间可到 150℃,长时间的使用温度应在 120℃左右),否则,阀门的各部件衬的 F46 易软化、变形,致使阀门关不死、泄漏量大。如用户使用的介质温度,短时间温度在 180℃以下,长时间温度在 150℃以下,可选用另一种氟塑料— PFA,但衬 PFA 氟塑料的价格较贵,在配套时应事先询价。

(1)Operating temperature: Less than 120℃ for short time and 150℃ for long time because of liner F46 (FEP). If it is more than the temperature above, the liner will be intenerated and distorted easily so that the valve can not be shut and leakage is paranormal. If the temperature of the medium is higher than 180℃ for short time and 150℃ for long time, another material of PFA can be used. But the price of PFA is relatively higher, quotation is needed if it is required.

(2)不能有负压。衬氟塑阀门应避免管道内有负压,如有负压,易造成阀门内腔的衬氟塑层被吸出(鼓出)、脱壳,导致阀门开启、关闭发生故障。

(2)The pressure of the pipe mustn't be negative. If it is negative the liner of the body will be epispassic and swelled even fall off to cause valve's action failure when the valve opens or closes.

(3)压力、压差应控制在允许范围内。尤其是波纹管密封的衬氟塑调节阀,因波纹管是四氟材料制作的,压力高、压差高,容易导致波纹管破裂。波纹管密封的衬氟塑调节阀,使用压力、压差高的,可改为四氟填料密封。

(3)The pressure and differential pressure must be within allowable range. Specially for the valve with bellows,

because the bellows is made of PTFE, high pressure or differential pressure will cause the bellows damaged badly. When the pressure or differential pressure is relatively higher, PTFE packing may be used in the valve with bellows.

(4) 衬氟塑阀门使用的介质条件不宜有硬质颗粒、结晶、杂质等,以免阀门在开启、关闭的运行中磨破阀芯、阀座的衬氟塑层或四氟波纹管。对介质有硬质颗粒、结晶、杂质的,选用时,阀芯、阀座可改用哈氏合金,但需另行询价。

(4) The service the valve applies to must be without hard particle, crystal and impurity so that the bellows, the liner of plug and seat are wore. If the fluid contains hard particle, crystal and impurity, the plug and seat should be Hastelloy, but quotation will be required additionally.

(5) 衬氟塑调节阀应按需要的流量(Cv 值)正确选用阀门的口径大小。在选用时,应根据需要的流量(Cv 值)等技术参数计算阀门的开启度和选用阀门的口径。如阀门的口径选得太大了,势必使阀门长期在开启度较小的情况下运行,加上介质的压力,这样容易使阀门受到介质的冲击而产生振动,阀芯杆长期在介质的冲击、振动下,甚至会使阀杆断裂。

(5) Correctly select the rated size of valve according to required flow (Cv). The opening and rated size of the valve can be calculated according to required parameters such as flow (Cv) while making selection. If the rated size is too bigger than the required, the valve will operate in small opening, additionally with the pressure of the medium, the valve will vibrate under the tremendous impact of medium and the stem may vibrate, even break accordingly.

特殊规格(按用户要求制造,具体内容如下)

SPECIAL SPECIFICATION (made according to customers' requirements, detailed as follows)

- 特殊检查(流量特性检查、材料检查)
- Special inspection (Inspection of flow characteristics and material)
- 指定涂层色
- Specified painting coat
- 除油、除水处理
- Deoiling, water removal
- 热寒带地区
- Tropic and frigid zone
- 防沙防尘型
- Sand and dust prevention
- 防强腐蚀型
- High-corrosion prevention
- SUS 不锈钢栓母
- Stainless bolt and nut
- 特殊空气配管及特殊气接头
- Special air pipe and air pipe adaptor

订货时请提供下列工艺参数

When ordering, please specify:

- a. 型号
- a Model

- b. 公称通径、管道尺寸(管道外径 X 壁厚)、管道材质
- b Rated size, pipe size (outside size X thickness) and pipe material
- c. 额定 Cv 值
- c Rated Cv
- d. 公称压力及法兰连接型式
- d Rating and end connection
- e. 流量特性
- e Characteristics
- f. 阀作用型式(正作用、反作用)
- f Valve action (direct or reverse action, for example)
- g. 介质状况(名称、成份、流量)
- g Medium conditions (name, ingredient and flow)
- h. 介质压力和温度
- h Pressure and temperature of the medium
- i. 执行机构型号、供气压力、弹簧范围
- i Model, air supply and spring range
- j. 附件(国产或进口,标明型号、规格、生产厂家)
- j Accessories (made in own country or import, model, specification, and manufacturer)



| 12 代号 | 公称通径 |
|-------|------|
| 08 | 20 |
| 21 | 25 |
| 22 | 32 |
| 23 | 40 |
| 24 | 50 |
| 25 | 65 |
| 26 | 80 |
| 27 | 100 |
| 28 | 125 |
| 29 | 150 |

| 34 代号 | 压力等级 |
|-------|-----------|
| 04 | JB.PN16 |
| 41 | ANSI 150# |

| 5 6 代号 | 阀座直径 |
|--------|------|
| 01 | 10 |
| 02 | 12 |
| 03 | 15 |
| 04 | 20 |
| 05 | 25 |
| 06 | 32 |
| 07 | 40 |
| 08 | 50 |
| 09 | 65 |
| 10 | 80 |
| 11 | 100 |
| 12 | 125 |
| 13 | 150 |

| 7 代号 | 流量特性 |
|------|------|
| L | 线性 |
| % | 等百分比 |
| K | 快开 |

| 银星能源·吴忠仪表 YINXING ENERGY·WUZHONG INSTRUMENT 调节阀数据表 SPECIFICATION FOR CONTROL VALVE | | 项目名称 PROJECT | | | | | |
|---|-------------------------------------|--------------|--------------|--------------------|-------------------|-------------------|----|
| | | 合同号 CONT.NO | | | | | |
| | | 装置名称 DEVICE | | | | | |
| 概 况 GENERAL | 第 1 / 1 页 Sheet 1 of 1 | | 阀体组件 BODY | 型 式 | Type | 特殊系列 | |
| | 位 号 TAG No | 用户提供 | | 型 号 | Mode No. | APF | |
| | 数 量 Quantity | 用户提供 | | 公称口径 | Body Size (DN) | DN20 ~ DN150 | |
| | 管道编号 P & ID No | 用户提供 | | 阀座直径 | Ports Size(dN) | 选型 | |
| | 管道规格 Line Size | 用户提供 | | 额定 CV 值 | Valve CV | 选型 | |
| | 管道材质 Line Material | 用户提供 | | 公称压力 | Rating | 选型 | |
| | 用 途 Server | 用户提供 | | 法兰型式 | Connect | 选型 | |
| 操作条件及结果 OPERATION AND RESULT | 流体名称 Fluid Name | 用户提供 | | 材 质 Material | 阀体 Body | 选型 | |
| | 流体状态 Fluid State | 用户提供 | | | 阀芯 Plug | 选型 | |
| | | 最大 Max | 正常 Nor | | 最小 Min | 阀座 Seat | 选型 |
| | | | | | | 阀杆 Stem | 选型 |
| | 操作温度 Operation Temp (°C) | 用户提供 | | 泄漏等级 | Leakage Class | 选型 | |
| | 流量单位 Flow Rate Unit | 用户提供 | | 流量特性 | Characteristic | L OR % | |
| | 流 量 Flow Rate | 用户提供 | | 上盖型式 | Bonnet Type | 选型 | |
| | 压力单位 Pressure Unit | MPa(A) | | 填 料 | Packing | 选型 | |
| | 阀前压力 Input Pressure | 用户提供 | | 作用型式 | Action | 选型 | |
| | 阀后压力 Outlet Pressure | 用户提供 | | 执行机构 ACTUATOR | 型 式 | Type | 选型 |
| | 压 差 Different Pressure | 系统生成 | | | 型 号 | Mode No | 选型 |
| | 关闭压力 Shut off Pressure | 用户提供 | | | 行 程 | Travel(mm) | 选型 |
| | 比 重 SP.Gr. | 用户提供 | | | 供气压力 | Air Supply (MPa) | 选型 |
| | 操作密度 Opera Density(Kg/m³) | 用户提供 | | | 弹簧范围 | Spring (MPa) | 选型 |
| | 标准密度 ST Density (Kg/m³) | 用户提供 | | | 电 压 | Voltage | 选型 |
| | 气体分子量 M.W | 系统生成 | | | 输入信号 | Input Signal | 选型 |
| | 动力粘度 Dynamic Viscosity(CP) | 用户提供 | | 手轮机构 | Hand Wheel | 选型 | |
| | 压力恢复系数 FL | 系统生成 | | 关闭压差 | Shut Off DP (Mpa) | 选型 | |
| | 汽化压力 Vapor Pressure | 系统生成 | | 定位器 POSITIONER | 型 号 | Mode No | 选型 |
| | 临界压力 Critical Pressure | 系统生成 | | | 供气压力 | Air Supply (MPa) | 选型 |
| | 气源故障时阀位 Position Of Air Fail | 用户选择 | | | 输入信号 | Input Signal | 选型 |
| | 计算 CV 值 Calculate CV | 系统生成 | | | 防爆等级 | EXP.Class | 选型 |
| | 开 度 Travel(%) | 系统生成 | | | 气源接口 | Air Input Connect | 选型 |
| 噪 音 Noise Level (dB) | 系统生成 | | 电气接口 | Electric.Connect | 选型 | | |
| 特殊需求 SEPCIAL REQUIREMENTS | 特殊检查 Sepcial Inspection | 用户选择 | | 电磁阀 SOLENOID | 型 号 | Mode No | 选型 |
| | 禁铜处理 Forbidding Copper Treatment | 用户选择 | | | 电 压 | Voltage | 选型 |
| | 指定色涂层 Specified Painting Coat | 用户选择 | | | 气源接口 | Air Input Connect | 选型 |
| | 除油除水处理 Removing Oil and Water | 用户选择 | | 减压阀 AIR SET | | | 选型 |
| | 热寒带地区 Used in Tropic or Frigid Zone | 用户选择 | | | | | |
| | 防沙防尘型 Preventing Sand and Dust | 用户选择 | | 外形尺寸 DIMENSIONS | | | |
| | 防强腐蚀型 High-crodent substance Proof | 用户选择 | | | | | |
| | 动作频次高 High frequent Action | 用户选择 | | | | | |
| | 开启关闭时间 Open/Close Time | 用户选择 | | | | | |
| 开 启 时 间 | | | | | | | |
| 备 注 REMARKED | | | | | | | |
| | | | | | | | |

50年控制阀制造经验
QUALITY SINCE 1959

宁夏吴忠仪表公司
Ningxia Wuzhong Instrument Co., LTD.
地址：宁夏吴忠市朝阳街67号 邮编：751100
Tel:0953-3929024 Fax:3929014
[http:// www.wzyb.com.cn](http://www.wzyb.com.cn)