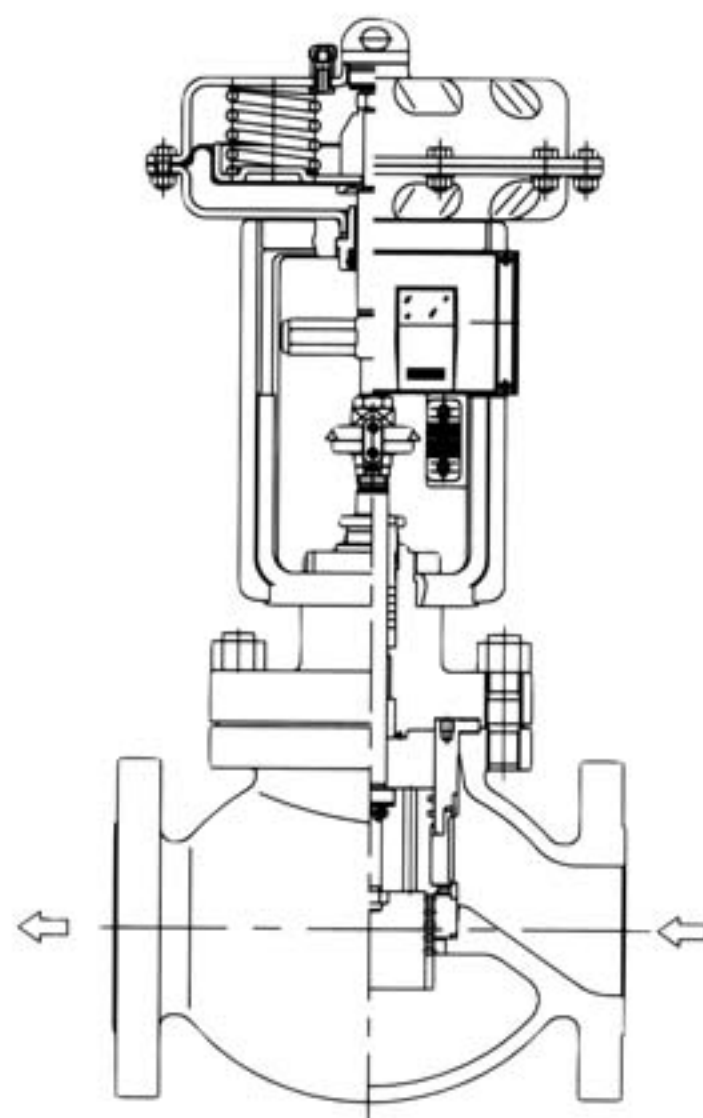


ECOTROL SERIES

APM 高压压力平衡式笼式调节阀

QUICK-CHANGEABLE HIGH-PRESSURE
BALANCED CAGED CONTROL VALVE



APM 高压压力平衡式笼式调节阀

APM Quick-Changeable High-Pressure Balanced Caged Globe Valve

概要:

APM 高压压力平衡式笼式调节阀是一种双导向笼式调节阀,阀芯采用低噪音平衡型结构,除具有 APB 压力平衡式单座调节阀的特点外,更适合于有闪蒸、空化等条件苛刻的场合。

配用多弹簧气动薄膜执行机构或电动执行机构。执行机构与定位器等附件之间采用无管路连接,使得安装空间大大缩小,且安装快速方便、可靠性高。

GENERAL

APM high-pressure balanced caged control valve is double guided type valve. The valve plug is of low-noise pressure balanced type. Owing the features of APB pressure balanced single seated control valves, the valves can also be applicable in severe services, such as erode and cavitation.

It has multi-spring type diaphragm actuator or electric actuator. Pipeless connection makes the valve more compact, more conveniently to assemble and disassemble, and have higher reliability.

阀体部分 BODY

形式 Type	压力平衡型阀芯 Pressure balanced plug type
公称通径 Body size	DN25~DN200(1"~8")
阀芯形状 Plug form	打孔阀芯 Perforated pressure balanced plug type
流量特性 Characteristics	等百分比、线性 Equal percentage, linear
阀内件材质 Trim materials 阀内件处理 Trim treatment	标准材质组合及使用温度、压力范围,请参见表 1 See table 1 and fig. 1 for standard combination of material and operating pressure-temperature.
公称压力 Body ratings	JB/T79-94 HG20592 DIN2543/2544/2545 PN6.3、PN10、PN16、PN25MPa; ANSI B16.5 ANSI600、ANSI900、ANSI1500
连接方式 Body connections	法兰式(RF、FM、RTJ) Flanged(RF、FM、RTJ)
法兰距 Face to Face dimension	符合 IEC 534-4-1976,详细见第 16~20 页 According with IEC 534-4-1976. See pages 16 to 20.
阀体及上阀盖材质 Body&Bonnet Material	A216-WCB/ 1.0619, A217-WC6/1.7357, A217-C5, A217 -WC9/1.7379, A352-LCB, A351-CF8/1.4308, A351-CF8M/1.4408 and other alloy steel. 各种材质的使用温度、压力范围参见表 1、表 2 及图 1。 As to the operating pressure-temperature limitation for each material, see tables 1 and 2.
上阀盖形式 Bonnet type	标准型 Standard type: -46 ~ 200℃; 200℃ ~ 300℃ 散热片型 Fin-extention type: 300℃ ~ 530℃
填料 Packing	石墨组合填料、石墨填料等。 使用温度、压力范围请参阅表 3、图 2 Grafoil and PTFE combination packing, grafoil packing. See table 2 and fig. 2 for selection.
垫圈 Gasket	金属夹石墨密封垫 Spiral wound metal, with grafoil filler.
表面涂层 Painting color	碳钢阀体喷银色环氧树脂 Argentate munsell on carbon steel 不锈钢阀体喷钢灰丙烯酸瓷漆 Steel grey crylic acid enamel on stainless steel

执行机构 ACTUATOR

规格 Specification	型号 Type	气动薄膜式 Diaphragm type	电动式 Electric Motor type
		MF	PEL
		多弹簧型 Multi-spring	
用途 Purpose		调节 Modulation	调节 Modulation
供气压力或供给电压 Air supply or Power supply		200(75-150)Kpa G, 300(75-150)Kpa G 450(170-360)Kpa G, 450(180-370)Kpa G 550(200-360)Kpa G, 550(220-440)Kpa G 300(96-171)Kpa G, 350(145-256)Kpa G	供电电源: 220V 50Hz Power supply 输入信号: 4~20mA Input signal
接口 Connection		G1/8(MF2), G1/4(MF3) G3/4(MF5)	进出线口: M20X1.5(2个) Conduit entry
正作用 Direct action		供气压力增加, 阀门关闭 Air to valve shut	输入信号增加阀闭 Signal increase to valve shut
反作用 Reverse action		供气压力增加, 阀门打开 Air to valve open	输入信号增加阀开 Signal increase to valve open
回差 Hysteresis		≤ 1%(带定位器) With positioner	≤ 0.8%
线性 Linearity		≤ ± 1%(带定位器) With positioner	≤ ± 1%
允许环境温度 Ambient Temp		-30℃~+80℃	-20℃~+60℃
标准涂层色 /Painting		中国蓝 /China blue	中国蓝 /China blue
选购设备 Option		电气阀门定位器, 智能阀门定位器, 电磁阀, 空气过滤减压阀, 行程开关, 阀位变送器 E/P P/P-Positioner, Air-set, Solenoid, Limit switch, Transmitter	限位开关 Limit switch

性能 PERFORMANCE

额定 Cv 值 Rated Cv	请参见表 4 See Table 4
流量特性 Flow characteristics	请参见图 4 See Fig 4
可调比 R Rangeability	50:1 (Plug size ≤ 1/4B-30:1)
阀座泄漏量 Seat leakage	请参见表 1 See Table 1
允许压差 Allowable pressure drops	请参见表 5 See Table 5

特殊规格(有偿) OPTIONAL SPECIAL SPECIFICATIONS(additional cost is required)

阀体特殊检查 Special testing for Body	材料检查、液体渗透探伤检查、放射线检查、流量特性检查、 Material certificate, liquid penetrant testing, Radiographic testing, Flow characteristics testing
阀体特殊清洗 Special cleaning for body	禁油、除水处理 Oil-free, water-proof
阀体及执行机构特殊规格 Special specifications for body actuator	防砂、防尘型、防盐腐蚀型、寒冷地区用、热带地区用、禁铜、特殊空气配管及特殊气源 接头、真空工作条件用、指定涂层色 Sand and dust proof, salty environment proof, cold area proof, tropical area proof. Do not use copper alloy, special piping and fitting, vacuum service proof, SUS bolt and nut for exposed parts, Non-standard painting.
认证 Authorization	通过中国 VTI 和美国 FMRC ISO9001 国际质量体系认证、国家技术监督局 ISO 10012-1 完善计量检测体系认证 Authorization of China CQC, ISO9001 ISO 10012-1

表 1. 阀体、阀内件材质组合及使用温度范围、阀座允许泄漏量
Table1. BODY/TRIM STANDARD MATERIAL COMBINATION, OPERATING TEMPERATURE AND SEAT LEAKAGE

阀内件材质、处理使用温度、压力范围 请参见图 1

Trim material/treatment vs operating temperature–pressure range :See Fig1

表 1-1 阀体材质:碳钢
Table1-1 BODY MATERIAL :CARBON STEEL

阀体材质 Body material		A216-WCB/1.0619,A217-WC6/1.7357,A217-C5,A217-WC9/1.7379,A352-LCB				
阀芯 Plug	材质 Material	420/1.4021	3Cr17NiMo/1.4122	440B/1.4112	316/1.4571	
	处理 Treatment	HT	HT	HT	NT	HT
阀座 Seat	材质 Material	420/1.4021	3Cr17NiMo/1.4122	440B/1.4112	316/1.4571	
	处理 Treatment	HT	HT	HT	NT	HT
导向套 Guide	材质 Material	440B/1.4112	440B/1.4112	440B/1.4112	316/1.4571	
	处理 Treatment	HT	HT	HT	NT	
密封垫圈 Gasket		316+GRF	316+GRF	316+GRF	316+GRF	
阀座允许泄漏量 Seat Leakage	ANSI B16.104	CLASS IV	CLASS IV	CLASS IV	CLASS IV	
使用温度 Operating temperature °C	A216-WCB/1.0619	-5~425°C	-5~425°C	-5~425°C	-5~425°C	
	A217-WC6/1.7357	-5~538°C	-5~538°C	-5~538°C	-5~538°C	
	A217-C5					
	A217 WC9/1.7379					
	A352-LCB	-45~230°C	-45~230°C	-45~230°C	-45~230°C	

备注:1.不推荐阀内件材质使用司太莱堆焊工艺; 2. HT= 硬化处理,NT= 渗氮处理。

Remarks: 1.Stellited plug is not recommended to use; 2. HT= Hardening Treatment, NT= Nitriding Treatment

表 1-2 阀体材质:不锈钢
Table1-2 BODY MATERIAL :STAINLESS STEEL

阀体材质 Body material		A351-CF8/1.4308				A351-CF8M/1.4408	
阀芯 Plug	材质 Material	316/1.4571		304/1.4308		316/1.4571	
	处理 Treatment	NT		NT		NT	
阀座 Seat	材质 Material	316/1.4571		304/1.4308		SUS316/1.4571	
	处理 Treatment	ST	-	ST	-	ST	-
导向套 Guide	材质 Material	304/1.4308		304/1.4308		SUS316/1.4571	
	处理 Treatment	NT		NT		NT	
密封垫圈 Gasket		316+GRF				316+GRF	
阀座允许泄漏量 Seat Leakage		CLASS IV				CLASS IV	
使用温度 Operating temperature °C		-45~538°C				-45~538°C	
		-45~538°C				-45~538°C	

备注:1. 不推荐阀内件材质使用司太莱堆焊工艺; 2. 可根据用户需求铸造双相不锈钢 ASTM A-890-99 Grade 3A (1.4468)及哈氏合金等特殊材质的阀门 3. HT= 硬化处理,NT= 渗氮处理。

Remarks: 1.Stellited plug is not recommended to use;

2. Several stainless steels such as ASTM A-890-99 Grade 3A(1.4468)double metallic phases steel and Hastelloy can be supplied according to clients' requirements;

3. HT= Hardening Treatment, NT= Nitriding Treatment



表 1.3 各国常用阀门用不锈钢对照表 Comparison table for stainless steels used in valves

标准 Standards	材料牌号 Symbol of material						
	铸钢 Cast steel						
美国 ASTM 标准 ASTM Standard	A216 WCB	A217 C5	A217 WC6	A217 WC9	A315(CF8)	A351 CF8M	A-890-99 Grade3A
德国 DIN 17001 W-NrGerman	1.0619		1.7357	1.7379	1.4308	1.4408	1.4468
中国 GB/T17616 China	ZG25I	5.0Cr0.5Mo	1.25Cr0.5Mo	2.5CrMo	ZG0Cr18Ni9	ZG0Cr17Ni12Mo2	ZG0Cr25Ni6Mo2N
日本 JIS Japan	SCPH2	SCPH61	SCPH21	SCPH32	SCS13/SCS13A	SCS14	

表 1.4 各国常用阀门用不锈钢对照表 Comparison table for stainless steels used in valves

标准 Standards	材料牌号(近似对照) Symbol of material (approximately comparing)							
	不锈钢 Stainless steel							
美国 ASTM 标准 ASTM Standard	316	316L	304	304L	410	420	440B	
德国 DIN 17001 W-NrGerman	1.4571	1.4435	1.4308	1.4306	1.4006	1.4021	1.4112	1.4122
中国 GB/T17616 China	0Cr17Ni12Mo2	00Cr17Ni14Mo2	0Cr18Ni9	00Cr18Ni10	1Cr13	2Cr13	9Cr18MoV	3Cr17NiMo
日本 JIS Japan	SUS316	SUS316L	SUS304	SUS304L	SUS410	SUS420J1	SUS440B	

表 2 阀体材质的使用温度·压力范围

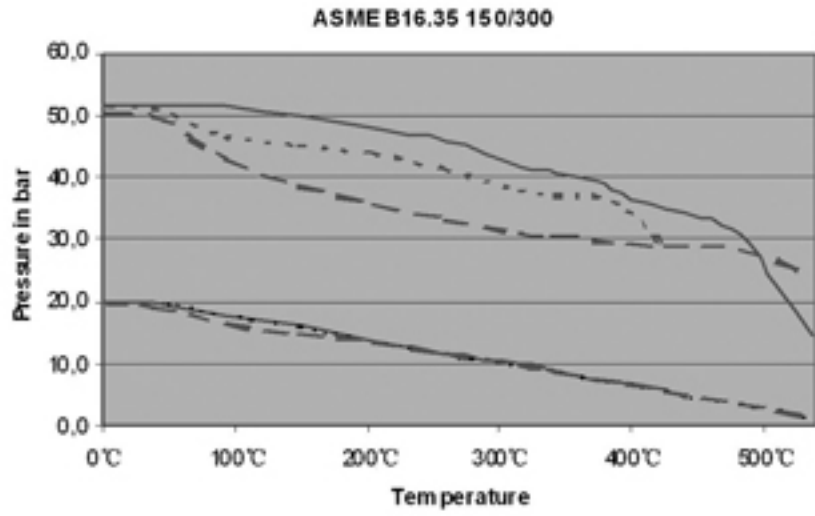
Table2 BODY MATERIAL/OPERATING PRESSURE-TEMPERATURE RATINGS

Table2 ANSI

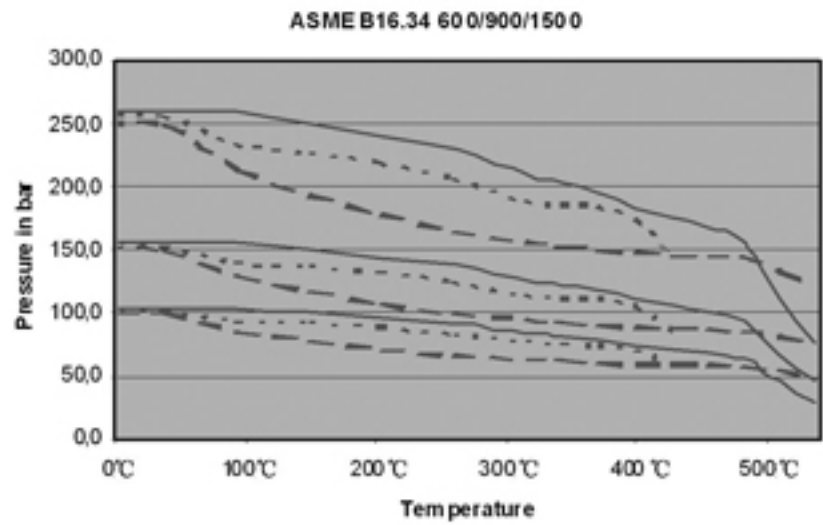
UNIT: MPa G

温度 Temp. ℃	ANSI 600						ANSI 900						ANSI 1500					
	LCB	WCB	WC6	WC9	CF8	CF8M	LCB	WCB	WC6	WC9	CF8	CF8M	LCB	WCB	WC6	WC9	CF8	CF8M
-196~38	--	--	--	--	9.91	9.92	--	--	--	--	14.88	14.88	--	--	--	--	24.79	24.79
-45~38	9.56	--	--	--	9.91	9.92	14.35	--	--	--	14.88	14.88	23.92	--	--	--	24.79	24.79
-5~38	9.56	10.02	10.32	10.32	9.91	9.92	14.35	15.31	15.50	15.50	14.88	14.88	23.92	25.51	25.84	25.84	24.79	24.79
50	9.45	10.01	10.22	10.32	9.56	9.62	14.18	15.01	15.33	15.35	14.34	14.43	23.64	25.02	25.55	25.58	23.90	24.04
100	9.01	9.27	9.74	10.29	8.17	8.43	13.52	13.90	14.62	14.70	12.25	12.65	22.53	23.16	24.36	24.50	20.42	21.09
150	8.78	9.04	9.26	10.03	7.26	7.69	13.18	13.56	13.90	13.98	10.89	11.54	21.96	22.60	23.18	23.30	18.16	19.24
200	8.53	8.75	9.09	9.75	6.54	7.12	12.79	13.14	13.63	13.45	9.82	10.69	21.32	21.89	22.73	22.40	16.37	17.83
250	8.11	8.33	8.88	9.26	6.10	6.67	12.17	12.51	13.33	13.26	9.15	10.02	20.28	20.84	22.22	22.10	15.26	16.68
300	7.53	7.74	8.48	8.48	5.80	6.32	11.30	11.61	12.72	12.72	8.71	9.49	18.84	19.36	21.20	21.20	14.52	15.80
350	7.18	7.38	8.04	8.04	5.60	6.07	10.78	11.08	12.06	12.06	8.42	9.12	17.96	18.46	20.11	20.11	14.02	15.20
375		7.28	7.75	7.75	5.54	5.93		10.94	11.63	11.63	8.32	8.91		18.22	19.38	19.38	13.86	14.84
400		6.89	7.31	7.31	5.48	5.81		10.34	10.98	10.98	8.23	8.72		17.24	18.28	18.28	13.72	14.55
425		5.74	7.01	6.91	5.42	5.72		8.62	10.53	10.53	8.14	8.59		14.37	17.54	17.54	13.57	14.32
450		4.00	6.75	6.17	5.37	5.61		6.01	10.13	10.13	8.06	8.42		10.02	16.89	16.89	13.42	14.03
475		2.70	6.32	5.17	5.30	5.46		4.06	9.50	9.50	7.97	8.20		6.76	15.82	15.82	13.27	13.67
500		1.75	5.55	4.04	5.20	5.37			8.33	8.33	7.81	8.05			13.89	13.89	13.02	13.40
525		1.03	4.04	3.07	4.77	5.15			6.08	6.58	7.15	7.73			10.12	10.96	11.94	12.89
550		0.72	3.26	2.69	4.55	5.06			3.83	4.91	6.54	7.49			6.38	8.17	10.91	12.48
575									2.55	3.51	6.02	7.22			4.24	5.85	10.04	12.04
600									1.75	2.29	5.01	6.43			2.94	3.82	8.35	10.71
625											3.92	5.48					6.54	9.12
650											3.16	4.23					5.25	7.06
675											2.33	3.78					3.88	6.31

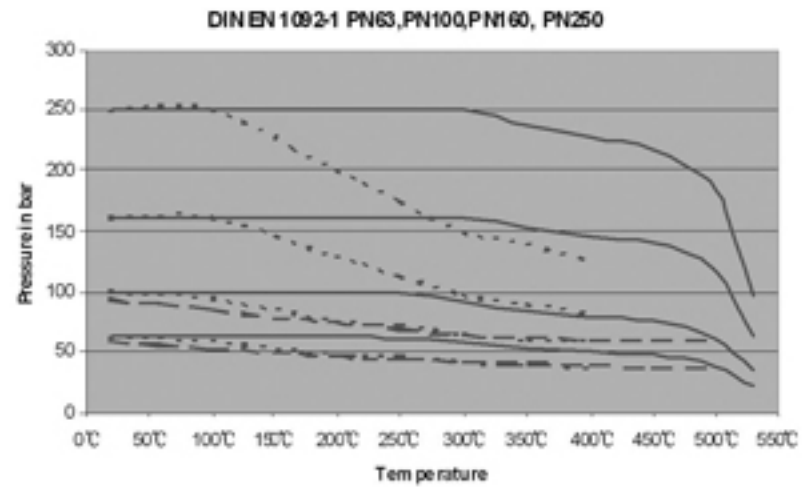
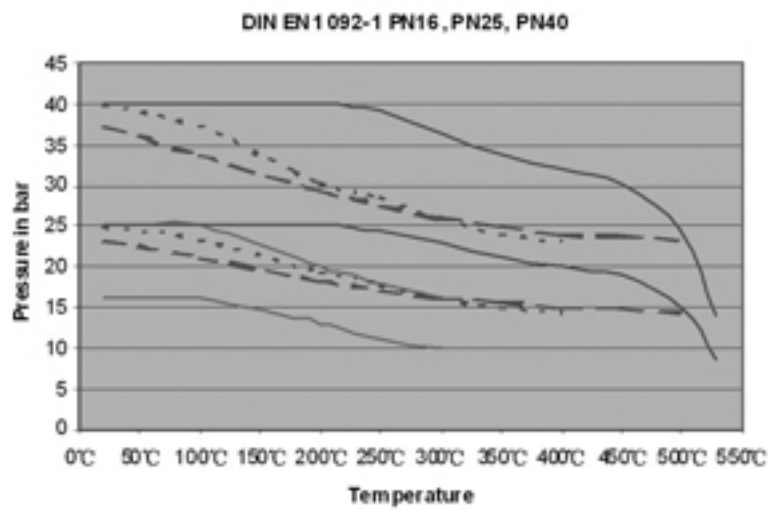
图 1.温压曲线
Fig.1 PRESSURE -TEMPERATURE DIAGRAMS



ASME
B16.34/B16.35



DIN EN
1092-1



- WC6/1.7357
- - - - - CF8M/1.4581
- WCB/1.0619
- 0.7043

表 3: 填料的使用温度及压力范围

Table 3: The allowable operating pressure-temperature limitation for packing

填料类型 (A 所示) Packing type Showed with A	代码 Code	防尘圈材质 (D 所示) Wiper Showed with D	温度范围 Temperature limitation	上阀盖 型式 Bonnet type	备注 说明 Remarks
石墨 + 因科镍填料 Graphite with inconel	3	NBR(丁腈橡胶) VITON(氟橡胶)	-20℃ ~ 400℃	标准型 / 带散热片型 Standard or Fin-extension	一般场合 Common Service
纯石墨填料 (Flexible graphite) (密度 1.6) (Density 1.6)	5	VITON(氟橡胶)	-196℃ ~ 530℃	标准型 / 带散热片型 Standard or Fin-extension	高、低温场合 High or low temperature
石墨 + PTFE Graphite + PTFE	6	NBR(丁腈橡胶)	-196℃ ~ 200℃	标准型 / 加长型 Standard or long-extension	低温场合 Low temperature

注: 选择温度范围时, 如无特殊要求, 应就近选择。

Note: If no special requirements, immediate temperature scope is recommended.

图 2. 填料使用温度·压力范围

Fig.2 GLAND PACKING OPERATING PRESSURE-TEMPERATURE RATINGS

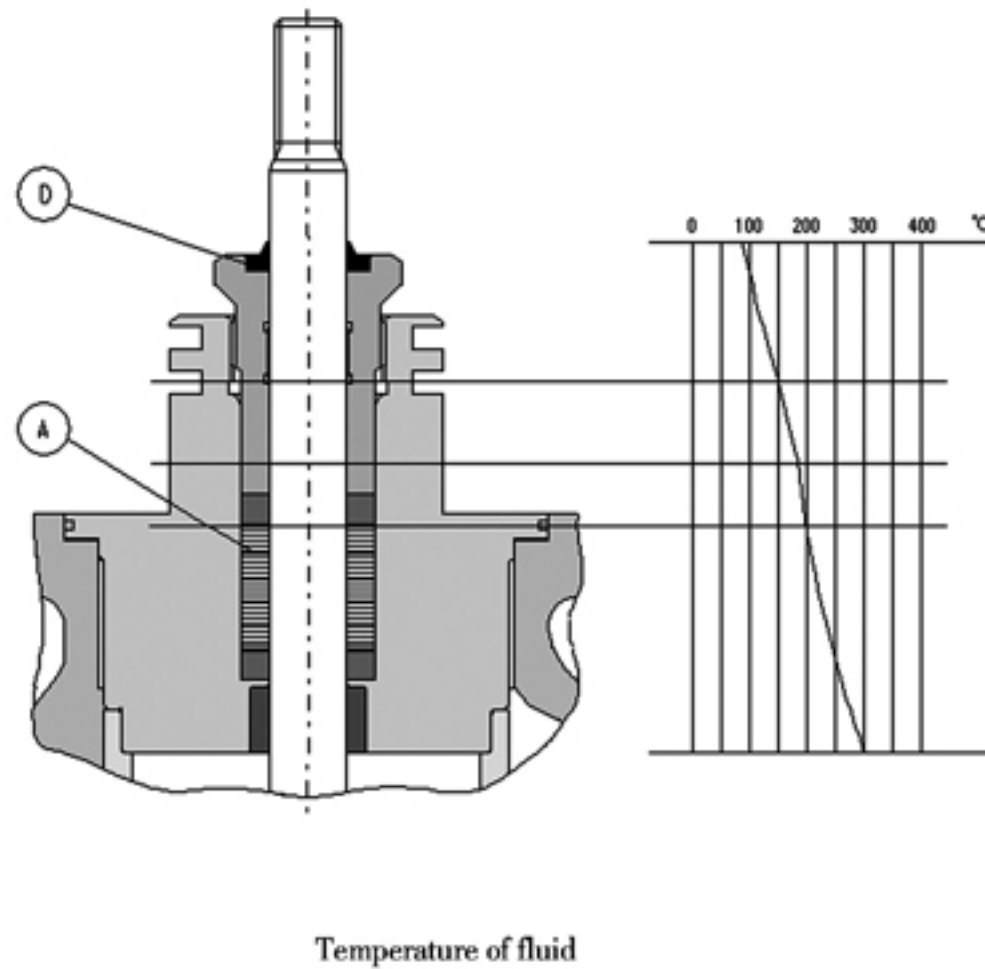
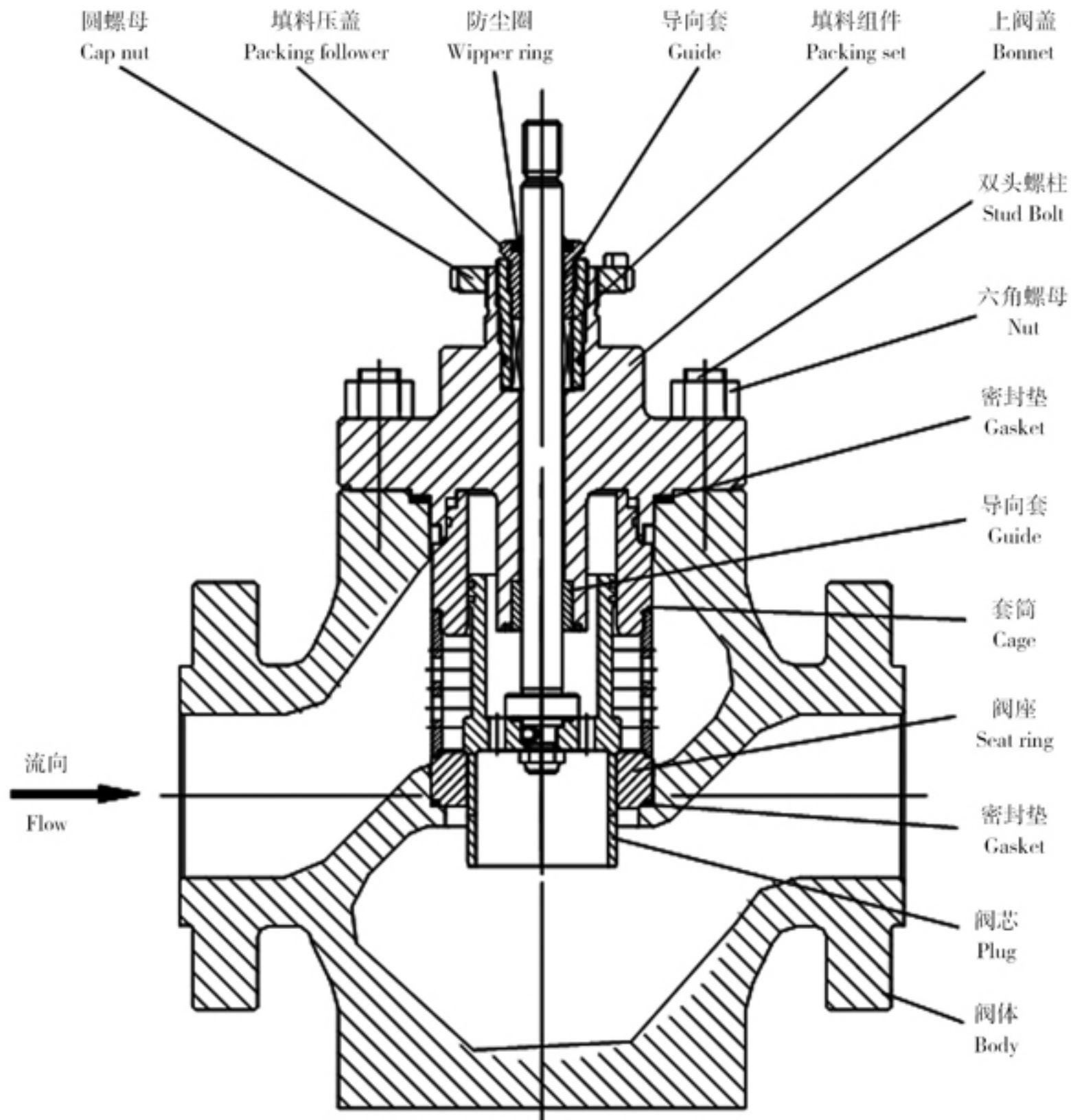


图 3.本体部构造

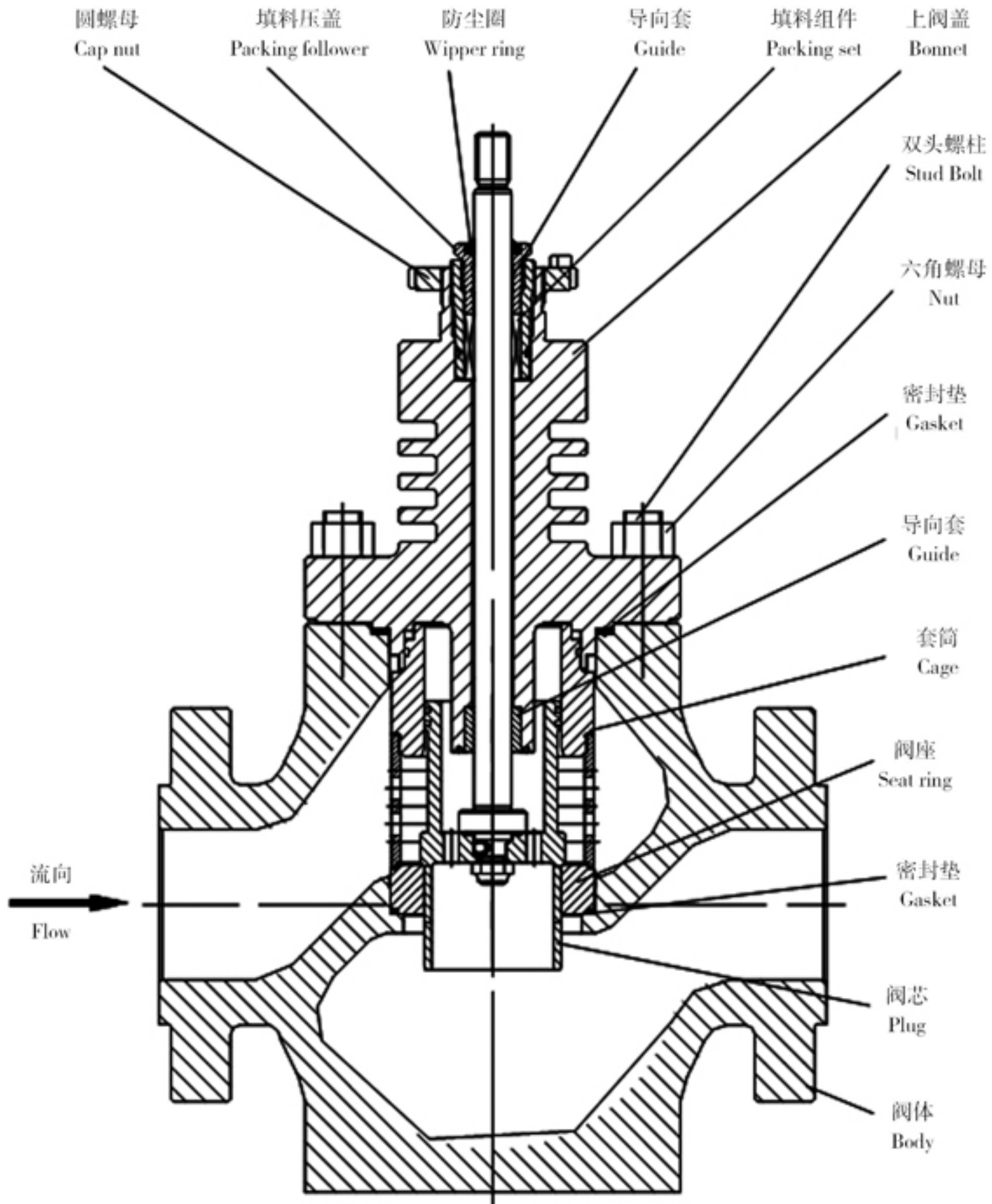
Fig.3 BODY SECTION VIEW

图 3-1 公称通径 DN80 (3"),DN100 (4")

Fig.3-1 BODY SIZEDN80 (3"),DN100 (4")

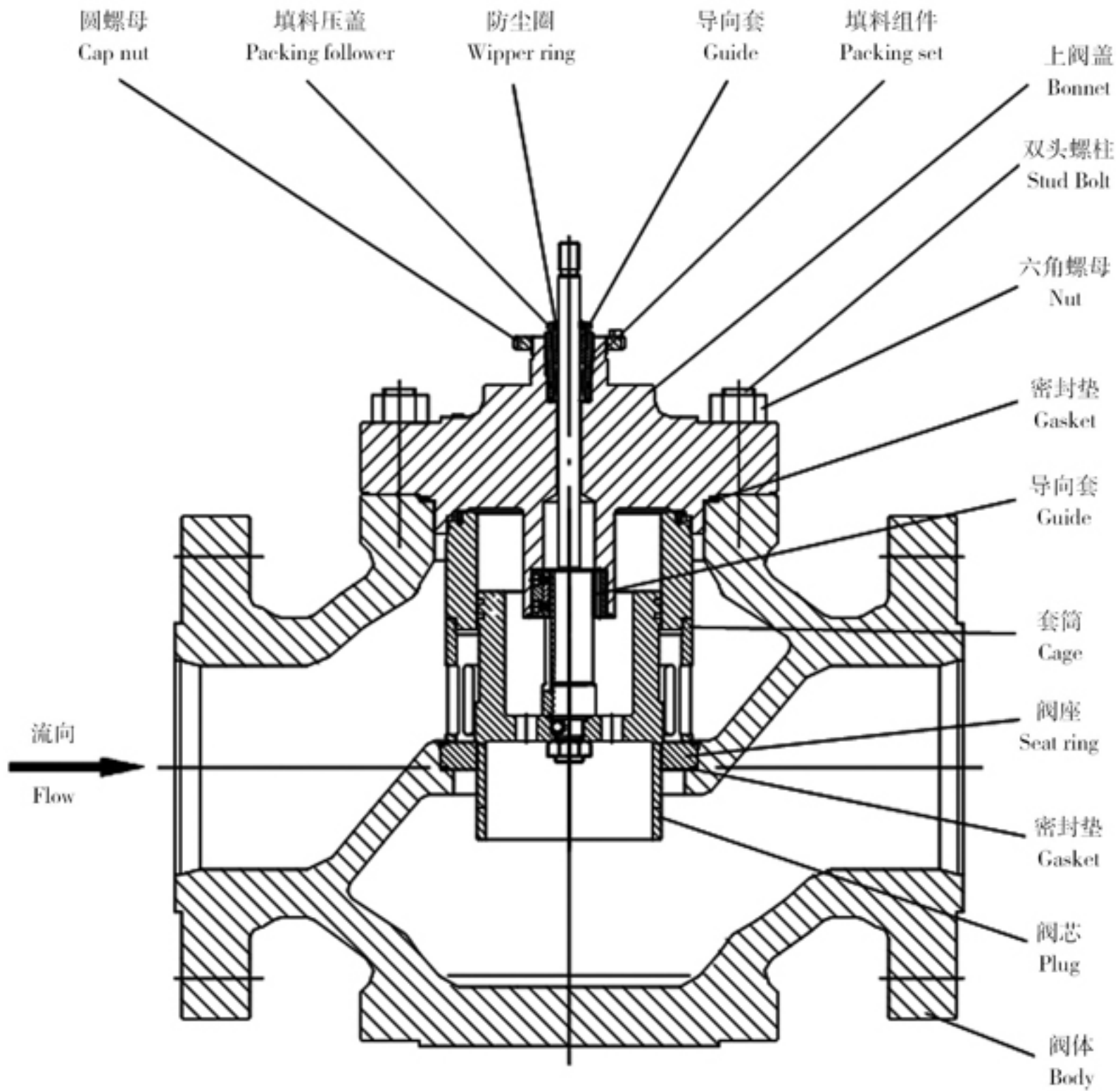


常温 Normal temperature

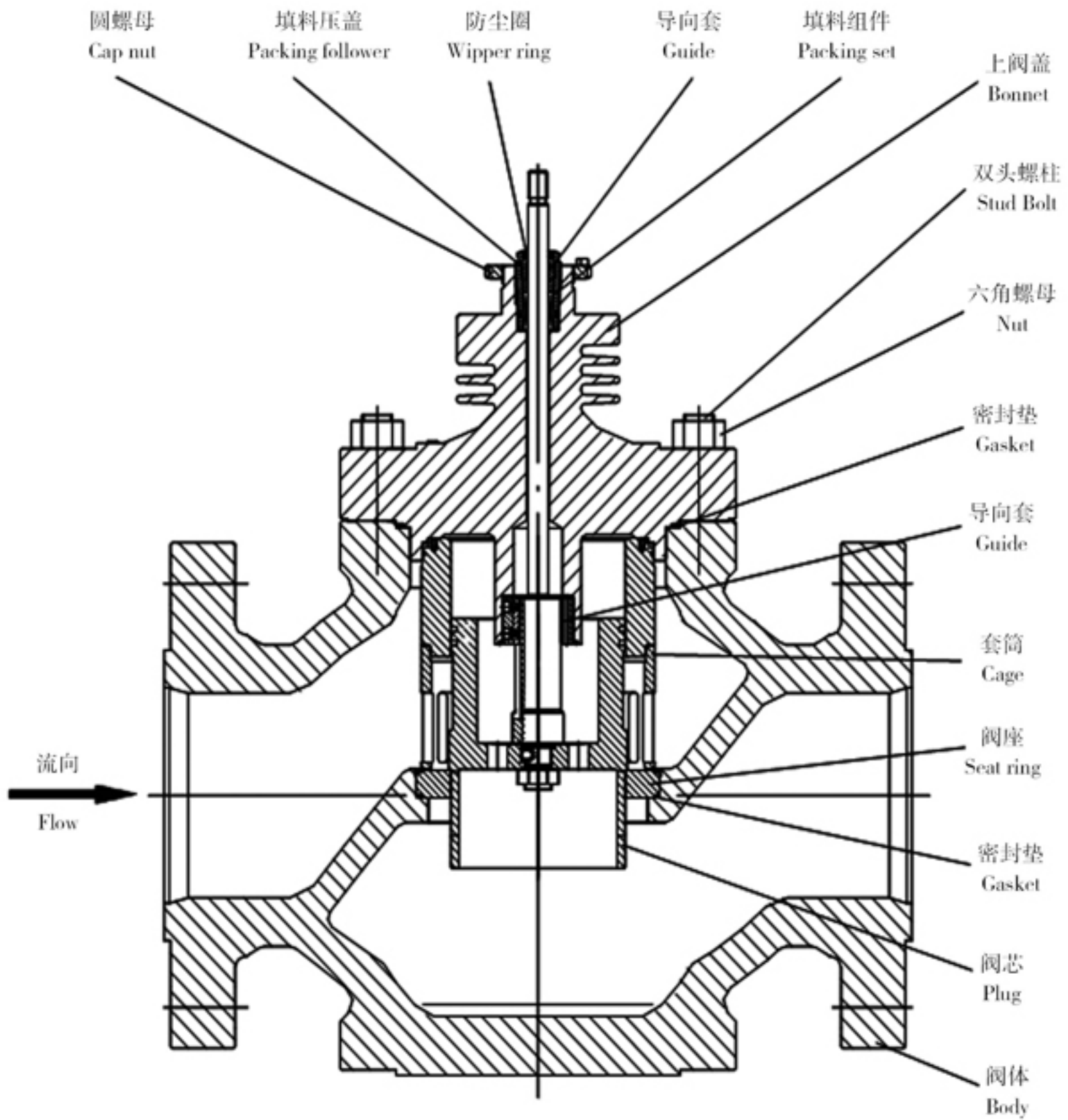


高温 High temperature

图 3-2. 公称通径 DN150 (6")以上
 Fig.3-2 BODY SIZEDN150 (6"),DN200 (8")



常温 Normal temperature



高温 High temperature

表 4. 额定 Cv·行程及缩腔型阀芯制造范围

Table 4 Cv VALUE, STROKE AND REDUCED PLUG MANUFACTURING RANGE

额定 Cv 值 Rated Cv

阀芯形式 Plug type		打孔阀芯 Perforated plug					
流量特性 Flow characteristics		线性 linear			等百分比 Equal percentage		
公称通径 Rated size	行程 Stroke	Cv1	Cv2	Cv3	Cv1	Cv2	Cv3
80	30	94	70	65	65	50	44
100	30	129	94	70	80	65	50
150	60	445	304	198	246	176	146
200	60	527	445	304	304	246	176

图 4. 流量特性符合 IEC 标准。

Fig.5 FLOW CHARACTERISTICS UNDER IEC STANDARD

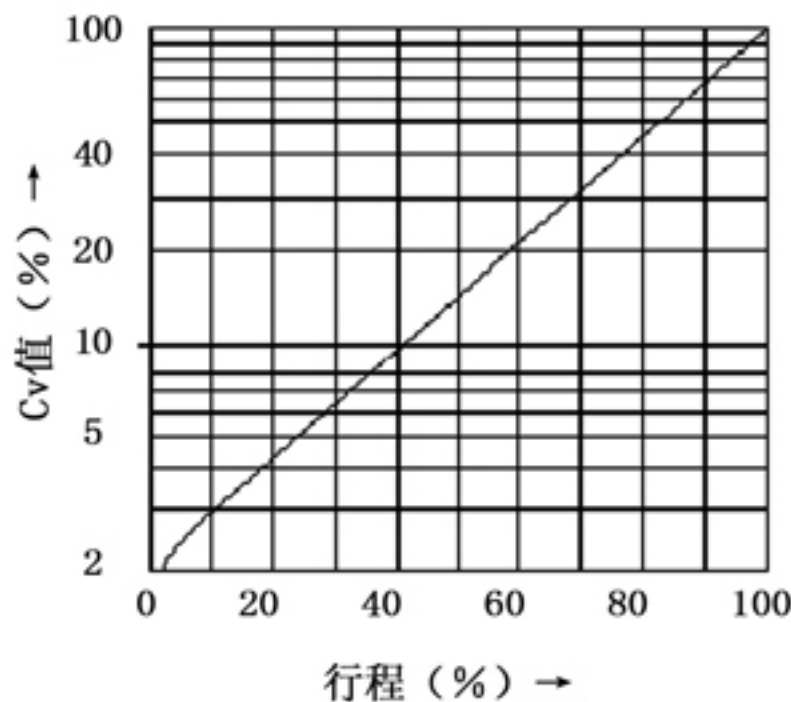
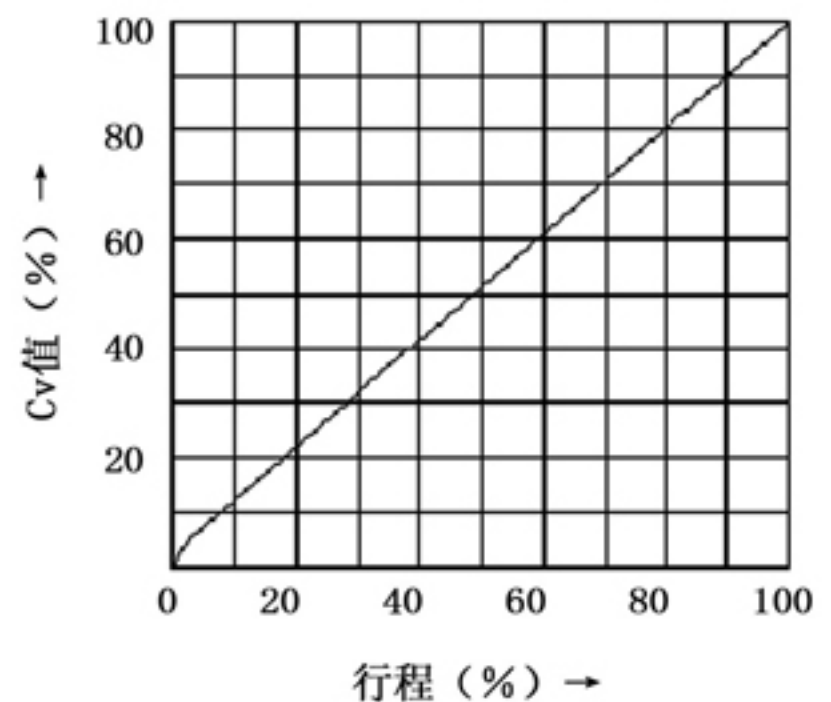

 等百分比特性(% 金属阀座)
 Equal percentage (% metal sealing)

 线性特性(L 金属阀座)
 Linear (L metal sealing)

表 5.1、5.2 最大允许压差(单位:bar)

Table 5.1、5.2 Allowable pressure drops(nuit:bar)

表 5.1: 允许压差(泄漏等级 IV 级):

Table 5.1: Allowable pressure drop (leakage class IV)

执行机构 MF2,3 系列 MF2, 3 series actuator					作用型式:气开 弹簧数量 Air to openSpring number				作用型式:气关 弹簧数量 Air to closeSpring number					
公称通径 DN(mm) Rated size	最大行程 (mm) Stroke	执行机构尺寸参 数 Actuator parameter	Cv	阀座直 径(mm) Seat size	3	6	9	12	3	3	3	6	6	
					供气压力(bar)Air supply				供气压力(bar)Air supply					
					2.5	4.0	4.5	5.5	3.0	4.5	6.0	4.5	6.0	
80 3"	30	MF2 ^D _R -5XX 320cm ² (50in ²)	94	73	-	41.0	-	-	41.0	160.0	160.0	41.0	46.0	
			70	73	-	41.0	-	-	41.0	160.0	160.0	41.0	46.0	
			65	73	-	41.0	-	-	41.0	160.0	160.0	41.0	46.0	
			50	73	-	41.0	-	-	41.0	160.0	160.0	41.0	46.0	
			44	73	-	41.0	-	-	41.0	160.0	160.0	41.0	46.0	
		MF3 ^D _R -1XX 720cm ² (111in ²)	94	73	47.4	160.0	160.0	160.0	160.0	160.0	160.0	160.0	160.0	160.0
			70	73	47.4	160.0	160.0	160.0	160.0	160.0	160.0	160.0	160.0	160.0
			65	73	47.4	160.0	160.0	160.0	160.0	160.0	160.0	160.0	160.0	160.0
			50	73	47.4	160.0	160.0	160.0	160.0	160.0	160.0	160.0	160.0	160.0
			44	73	47.4	160.0	160.0	160.0	160.0	160.0	160.0	160.0	160.0	160.0
100 4"	30	MF2 ^D _R -5XX 320cm ² (50in ²)	129	90	-	29.4	-	-	29.4	160.0	160.0	147.7	160.0	
			94	90	-	29.4	-	-	29.4	160.0	160.0	147.7	160.0	
			80	90	-	29.4	-	-	29.4	160.0	160.0	147.7	160.0	
			70	90	-	29.4	-	-	29.4	160.0	160.0	147.7	160.0	
			65	90	-	29.4	-	-	29.4	160.0	160.0	147.7	160.0	
		MF3 ^D _R -1XX 720cm ² (111in ²)	129	90	35.8	160.0	160.0	160.0	160.0	160.0	160.0	160.0	160.0	160.0
			94	90	35.8	160.0	160.0	160.0	160.0	160.0	160.0	160.0	160.0	160.0
			80	90	35.8	160.0	160.0	160.0	160.0	160.0	160.0	160.0	160.0	160.0
			70	90	35.8	160.0	160.0	160.0	160.0	160.0	160.0	160.0	160.0	160.0
			65	90	35.8	160.0	160.0	160.0	160.0	160.0	160.0	160.0	160.0	160.0
150 6"	60	MF3 ^D _R -2XX 720cm ² (111in ²)	445	143	6.6	160.0	160.0	160.0	160.0	160.0	160.0	160.0	160.0	
			304	143	6.6	160.0	160.0	160.0	160.0	160.0	160.0	160.0	160.0	
			246	143	6.6	160.0	160.0	160.0	160.0	160.0	160.0	160.0	160.0	
			198	143	6.6	160.0	160.0	160.0	160.0	160.0	160.0	160.0	160.0	
			176	143	6.6	160.0	160.0	160.0	160.0	160.0	160.0	160.0	160.0	
			146	143	6.6	160.0	160.0	160.0	160.0	160.0	160.0	160.0	160.0	
200 8"	60	MF3 ^D _R -2XX 720cm ² (111in ²)	527	172	-	128.6	160.0	160.0	154.0	160.0	160.0	154.0	160.0	
			445	172	-	128.6	160.0	160.0	154.0	160.0	160.0	154.0	160.0	
			304	172	-	128.6	160.0	160.0	154.0	160.0	160.0	154.0	160.0	
			246	172	-	128.6	160.0	160.0	154.0	160.0	160.0	154.0	160.0	
			176	172	-	128.6	160.0	160.0	154.0	160.0	160.0	154.0	160.0	
执行机构 MF5 系列 MF5 series actuator					弹簧数量:气开 Air to openSpring number			弹簧数量:气关 Air to closeSpring number						
					4	6	8	4	4	4	6	6	6	6
公称通径 DN(mm) Rated size	最大行程 (mm) Stroke	执行机构尺寸参 数 Actuator parameter	Cv	阀座直 径(mm) Seat size	供气压力(bar)Air supply									
					3.0	3.5	4.5	3.0	4.0	5.0	3.0	4.0	5.0	6.0
150 6"	60	MF5 ^D _R -3X 1600cm ² (248in ²)	445	143	160.0	160.0	160.0	160.0	160.0	160.0	160.0	160.0	160.0	160.0
			304	143	160.0	160.0	160.0	160.0	160.0	160.0	160.0	160.0	160.0	160.0
			246	143	160.0	160.0	160.0	160.0	160.0	160.0	160.0	160.0	160.0	160.0
			198	143	160.0	160.0	160.0	160.0	160.0	160.0	160.0	160.0	160.0	160.0
			176	143	160.0	160.0	160.0	160.0	160.0	160.0	160.0	160.0	160.0	160.0
200 8"	60	MF5 ^D _R -3X 1600cm ² (248in ²)	527	172	160.0	160.0	160.0	160.0	160.0	160.0	160.0	160.0	160.0	160.0
			445	172	160.0	160.0	160.0	160.0	160.0	160.0	160.0	160.0	160.0	160.0
			304	172	160.0	160.0	160.0	160.0	160.0	160.0	160.0	160.0	160.0	160.0
			246	172	160.0	160.0	160.0	160.0	160.0	160.0	160.0	160.0	160.0	160.0
			176	172	160.0	160.0	160.0	160.0	160.0	160.0	160.0	160.0	160.0	160.0

注:1. 执行机构型号中 "XX" 的代码详见执行机构样本;

2. 表中数值为最大允许关闭压差。

Note: 1.The code "XX" of actuator type is detailed in the catalogue of actuator.

2. The number showed in above table is the max. of allowable pressure drops.

表 5.2:配 PEL 系列电动执行机构允许压差(泄漏等级 IV):
Table 5.2 Allowable pressure drops with PEL electric motor (Leakage class IV)

公称通径 Rated size-DN (mm)	行程 Stroke(mm)	Cv	阀座直径 Seat size(mm)	允许压差(bar) Allowable pressure drop							
				PEL202	PEL204	PEL206	PEL208	PEL210	PEL212	PEL316	PEL320
80 3"	30	94	73				48.1	51.3	54.5	160.0	160.0
		70	73				48.1	51.3	54.5	160.0	160.0
		65	73				48.1	51.3	54.5	160.0	160.0
		50	73				48.1	51.3	54.5	160.0	160.0
		44	73				48.1	51.3	54.5	160.0	160.0
100 4"	30	129	90				36.3	38.4	160.0	160.0	160.0
		94	90				36.3	38.4	160.0	160.0	160.0
		80	90				36.3	38.4	160.0	160.0	160.0
		70	90				36.3	38.4	160.0	160.0	160.0
		65	90				36.3	38.4	160.0	160.0	160.0
		50	90				36.3	38.4	160.0	160.0	160.0
150 6"	60	445	143						158.7	160.0	160.0
		304	143						158.7	160.0	160.0
		246	143						158.7	160.0	160.0
		198	143						158.7	160.0	160.0
		176	143						158.7	160.0	160.0
		146	143						158.7	160.0	160.0
200 8"	60	527	172						127.7	128.8	160.0
		445	172						127.7	128.8	160.0
		304	172						127.7	128.8	160.0
		246	172						127.7	128.8	160.0
		176	172						127.7	128.8	160.0

注:表中数值为最大允许关闭压差。

Note: The number showed in above table is the max. of allowable pressure drops.

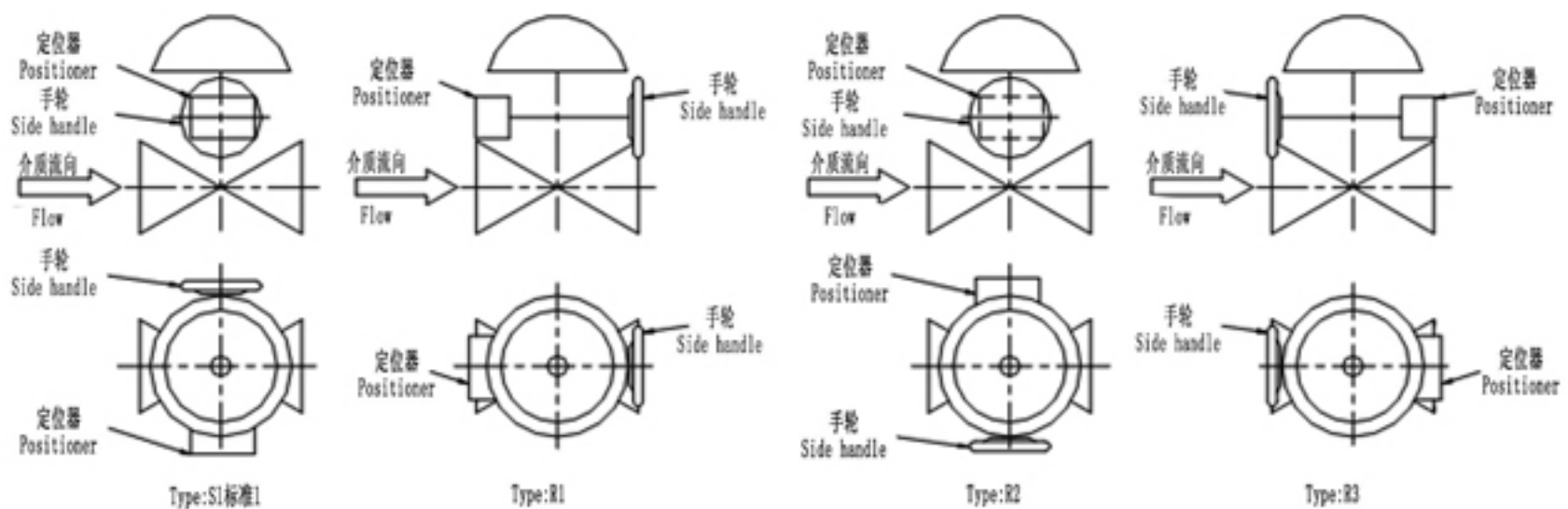
图 5.调节阀安装位置
Fig.5. MOUNTING FORMS FOR THE CONTROL VALVE
图 5-1 .配 MF2,3 执行机构的安装位置 Fig.5-1. Mounting forms with MF2, 3 actuator


图 5-2 .配 MF5 执行机构的安装位置 Fig.5-2. Mounting forms with MF5 actuator

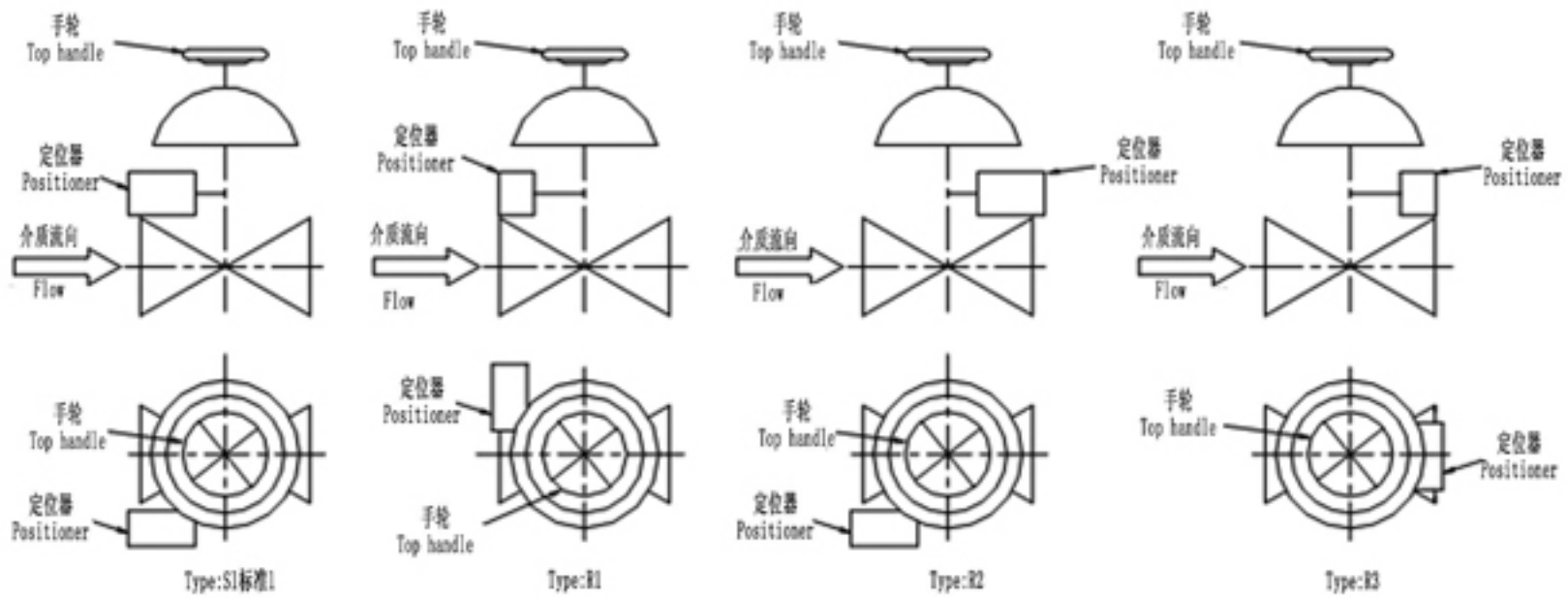


图 6-1 DN80 ~ DN200(3" ~ 8")带顶装手轮机构外形图

Figure 6-1 Outline with top handwheel for DN80 ~ DN200(3" ~ 8")

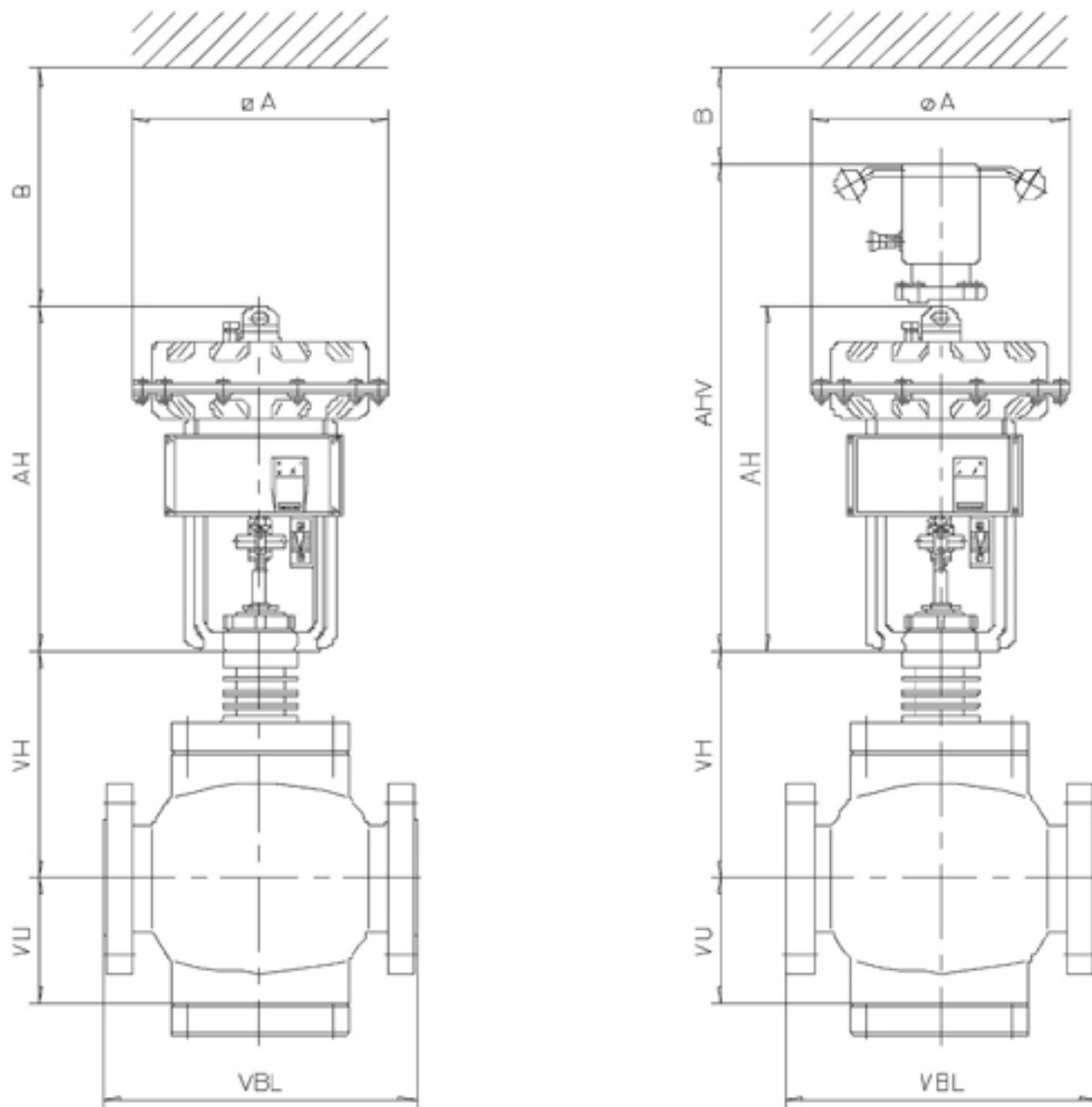


图 6-2 DN80 ~ DN200(3" ~ 8")带侧装手轮机构外形图

Figure 6-2 Outline with side handwheel for DN80 ~ DN200(3" ~ 8")

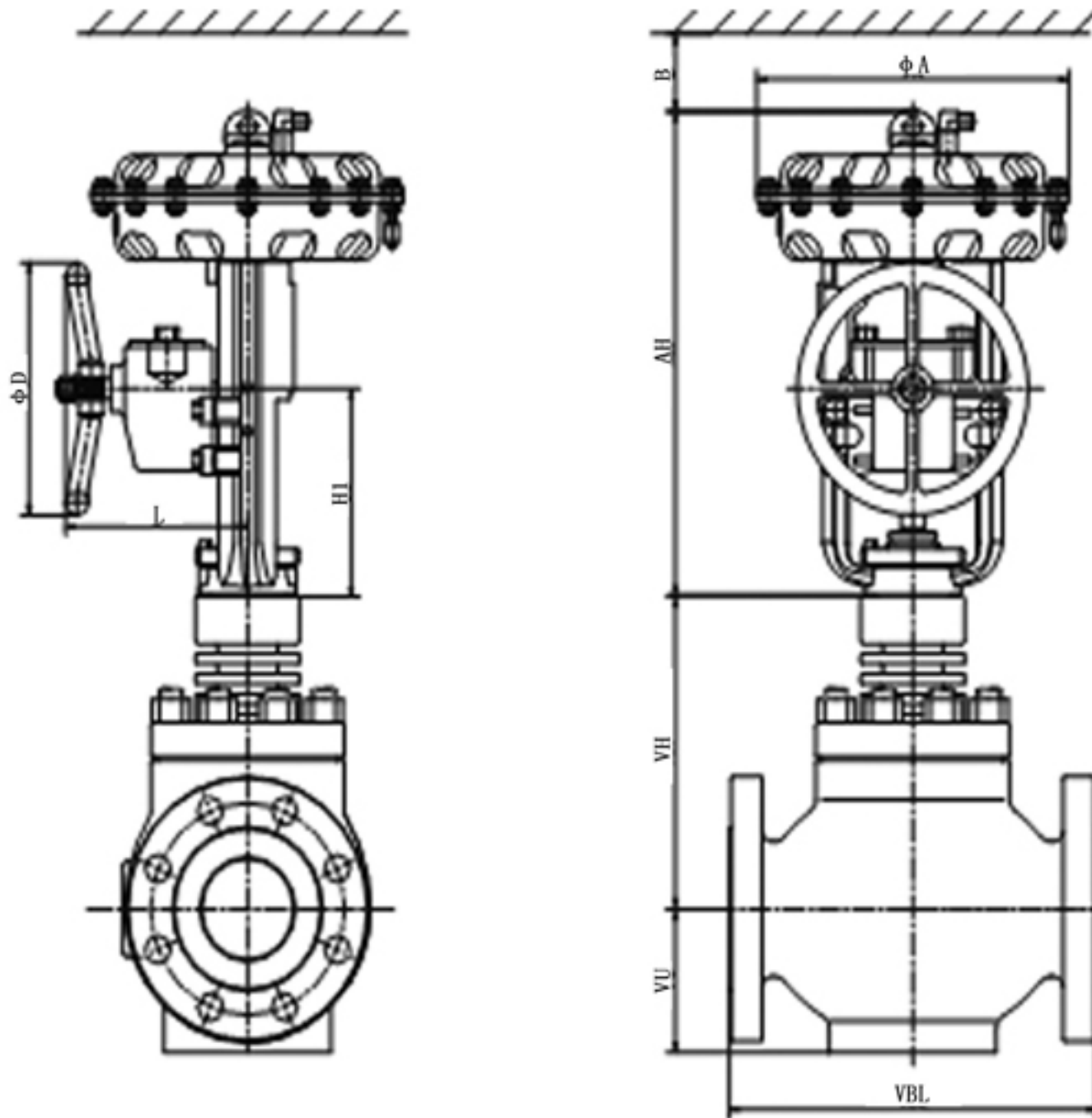


表 6.1:外形尺寸及重量(配气动执行机构 DN80 ~ DN200,PN63/100/160/250)外形见图 6-1、6-2

Table 6.1: Outline size and weight (with pneumatic actuator DN80 ~ DN200,PN63/100/160/250), see Figure 6-1、6-2 for outline

阀体主要外形尺寸 (mm), 阀体法兰尺寸符合 DIN 2543/2544/2545、JB/T79.1、JB/T79.2、HG20592-97, 法兰距符合 DIN 3202-F1。Main outline sizes (mm), connection sizes of flange comply with DIN 2543/2544/2545、JB/T79.1、JB/T79.2、HG20592-97, face to face dimensions comply with DIN 3202-F1.

阀 Valve	DN		80	100	150	200
	VBL	PN63	RF/FM	380	430	550
RTJ			380	440	557	710
PN100		RF/FM	380	430	557	710
		RTJ	392	440	557	716
PN160		RF/FM	380	462	550/610	700
		RTJ	396	472	613	716
PN250	RF	450	520	700	800	
VH	< 300℃		220	255	342	357
	≥ 300℃		300	332	402	447
VU	3 法兰		153	178	228	260
执行机构 Actuator	φ A	MF2	270			
		MF3	400			
		MF5			630	
	AH	MF2	398		840	
		MF3	489		625	
		MF5				
	AHV	MF2	551			
		MF3	657		888	
	φ D	MF2	200			
		MF3	355			
	L	MF2	147.5			
		MF3	240			
	H1	MF2	165(MF2R)或(or)108(MF2D)			
		MF3	226(MF3R)或(or)125(MF3D)			
	B		150		200	
重量约为 weight approx- imately(kg)	MF2	101	136			
	MF3	127	162	317	607	
	MF5			460	750	

- 1、重量: 阀 + 不带手轮的执行机构 ; weight: valve +actuator without handwheel
- 2、带 # 的法兰距是 DIN 标准的法兰距; The face to face dimensions marked with # compy with DIN.
- 3、DIN 标准只有 RF 法兰密封形式; There is only RF sealing surface in DIN
- 4、JB/T79.2、HG20592-97 压力等级只有 PN63、100、160; There only have PN63、100、160 for avaiable in standard of JB/T79.2、HG20592-97;

表 6.2:外形尺寸及重量(配气动执行机构 3"~8",ANSI600/900/1500)外形见图 6-1、6-2
Table 6.2: Outline size and weight (With pneumatic actuator 3"~8",ANSI600/900/1500), see Figure 6-1,6-2 for outline

阀体主要外形尺寸 (mm), 阀体法兰尺寸符合 DIN 2543/2544/2545 JB/T79.1,JB/T79.2, HG20592-97, 法兰距符合 DIN 3202-F1。 Main outline sizes (mm), connection sizes of flange comply with DIN 2543/2544/2545 JB/T79.1,JB/T79.2, HG20592-97, face to face dimintions comply with DIN 3202-F1.						
阀 Valve	DN		3"	4"	6"	8"
	VBL Cl. 600	RF	356	432	559	660
		RTJ	359	435	562	664
	VBL Cl. 900	RF	381	457	610	737
		RTJ	384	460	613	740
	VBL Cl. 1500	RF	470	546	705	832
		RTJ	473	549	711	841
	VH	<300℃	220	255	342	357
≥ 300℃		300	332	402	447	
VU	3 法兰	153	178	228	260	
执行机构 Actuator	φA	MF2	270			
		MF3	400			
		MF5	630			
	AH	MF2				
		MF3	489		625	
		MF5	840			
	AHV	MF2				
		MF3	657		888	
	φD	MF2	200			
		MF3	355			
	L	MF2	147.5			
		MF3	240			
	H1	MF2	165(MF2R)或(or)108(MF2D)			
		MF3	226(MF3R)或(or)125(MF3D)			
	B		150		200	
	重量约为 weight approximately (kg)	MF2	101	136		
MF3		127	162	317	607	
MF5				460	750	

重量: 阀 + 不带手轮的执行机构。

weight: valve +actuator without handwheel.

图 7 DN80 ~ DN200(3" ~ 8")带 PEL 电动执行机构外形图
 Figure 7 Outline with PEL electric motor for DN80 ~ DN200(3" ~ 8")

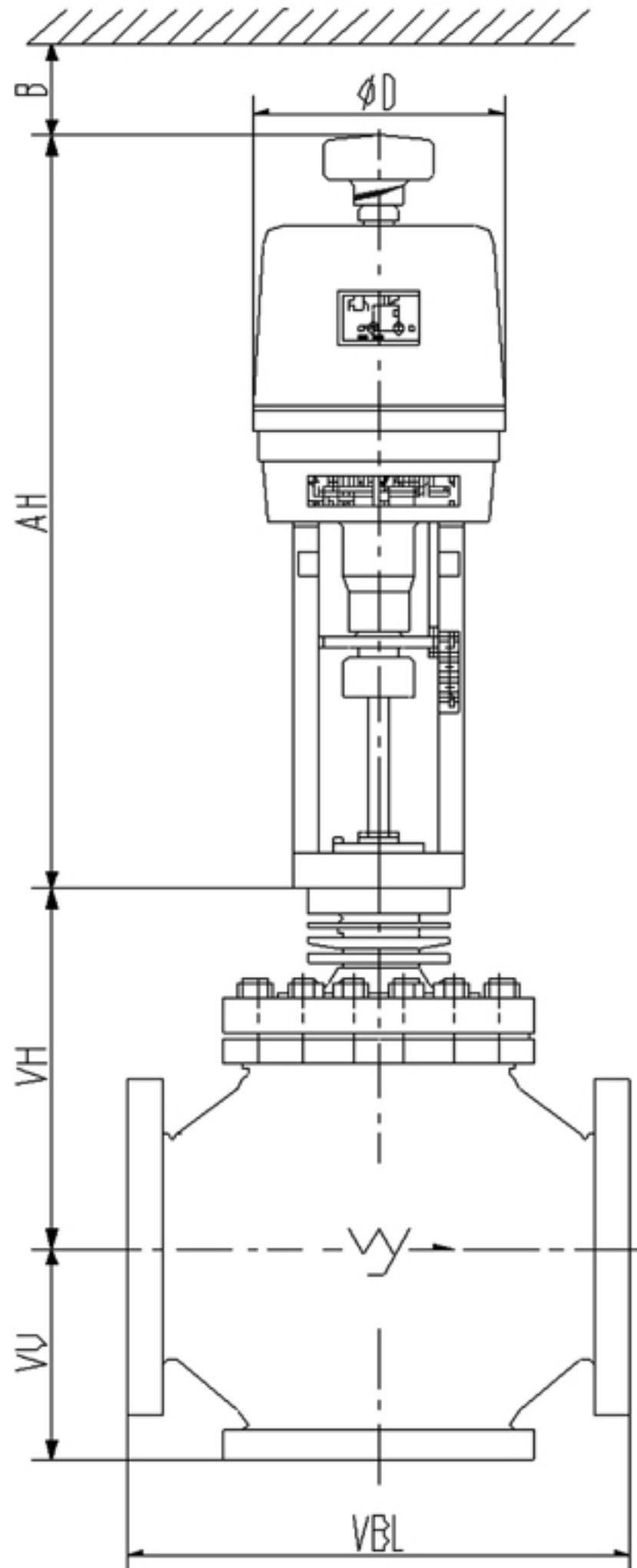


表 7.1: 外形尺寸及重量(配 PEL 电动执行机构 DN80 ~ DN200,PN63/100/160/250)外形见图 7
Table 7.1: Outline size and weight (With PEL Electric Motor DN80 ~ DN200,PN63/100/160/250), see Fig. 7 for outline.

阀体主要外形尺寸 (mm), 阀体法兰尺寸符合 DIN 2543/2544/2545 ,JB/T79.1 ,JB/T79.2 ,HG20592-97, 法兰距符合 DIN 3202-F1。 Main outline sizes (mm), connection sizes of flange comply with DIN 2543/2544/2545 ,JB/T79.1 ,JB/T79.2 ,HG20592-97,Face to face dimintions comply with DIN 3202-F1.							
阀 Valve	DN		80	100	150	200	
	VBL	PN63	RF/FM	380	430	550	700
			RTJ	380	440	557	710
		PN100	RF/FM	380	430	550	700
			RTJ	392	440	557	716
		PN160	RF/FM	380	462	500 [#] /610	700
			RTJ	392	472	613	716
	PN250	RF	450	520	700	800	
	VH	< 300℃		220	255	342	357
		≥ 300℃		300	332	402	447
VU			153	178	228	260	
执行机构 Electric Motor	φD	PEL2XX 系列	φ 195		-		
		PEL3XX 系列	φ 280				
	AH	PEL2XX 系列	570		-		
		PEL3XX 系列	745		785		
	B	PEL2XX 系列	140		-		
		PEL3XX 系列	240				
	weight (kg) approxi- mately	PEL202	-	-	-	-	
		PEL204	-	-	-	-	
		PEL206	-	-	-	-	
		PEL208	101	136	-	-	
		PEL210	105	140	-	-	
		PEL312	107	142	292	582	
		PEL316	110	145	295	585	
PEL320	113	148	298	580			

1、重量: 阀 + 不带手轮的执行机构 ; weight: valve +actuator without handwheel

2、PEL2XX 系列: PEL202、PEL204、PEL206、PEL208、PEL210; PEL2XX series: PEL202、PEL204、PEL206、PEL208、PEL210;

3、PEL3XX 系列: PEL312、PEL316、PEL320; PEL3XX series: PEL312、PEL316、PEL320;

4、带 # 的法兰距是 DIN 标准的法兰距; The face to face dimensions marked with # compy with DIN.

5、DIN 标准只有 RF 法兰密封形式; There is only RF sealing surface in DIN

6、JB/T79.2、HG20592-97 压力等级只有 PN63、100、160; There only have PN63、100、160 for available in standard of JB/T79.2、HG20592-97;

表 7.2: 外形尺寸及重量(配 PEL 电动执行机构 3" ~ 8",ANSI600/900/1500)外形见图 7。

Table 7.2: Outline size and weight (With PEL Electric Motor 3" ~ 8",ANSI600/900/1500),see Figure 7 for outline

阀体主要外形尺寸(mm), 阀体法兰尺寸符合 ANSI class 600/900/1500 ,HG20615-97 PN11.0/15.0/26.0 RF/RTJ Main outline size(mm),connection sizes of flange comply with ANSI class 600/900/1500 ,HG20615-97 PN11.0/15.0/26.0 RF/RTJ						
阀 Valve	DN		3"	4"	6"	8"
	VBL Class 600	RF	356	432	559	660
		RTJ	359	435	562	664
	VBL Class 900	RF	381	457	610	737
		RTJ	384	460	613	740
	VBL Class 1500	RF	470	546	705	832
		RTJ	473	549	711	841
	VH	< 300℃	220	255	342	357
		≥ 300℃	300	332	402	447
	VU		153	178	228	260
执行机构 Actuator	φD	PEL2XX 系列	φ 190		--	
		PEL3XX 系列	φ 280			
	AH	PEL2XX 系列	570		--	
		PEL3XX 系列	745		785	
	B	PEL2XX 系列	140		--	
		PEL3XX 系列	240			
	weight (kg) approx- imately	PEL202	--	--	--	--
		PEL202	--	--	--	--
		PEL204	--	--	--	--
		PEL206	101	136	--	--
PEL208		105	140	--	--	
PEL210		107	142	292	582	
PEL312		110	145	295	585	
PEL320	113	148	298	580		

重量: 阀 + PEL 执行机构, Weight: valve+PEL electric motor.

PEL2XX 系列: PEL202、PEL204、PEL206、PEL208、PEL210

PEL3XX 系列: PEL312、PEL316、PEL320

附表一 APN 单座调节阀型号编制说明


阀体组件
执行机构
一、阀体组件

1 编码	公称通径 INCH mm
26	3 80
27	4 100
29	6 150
30	8 200

2 编码	公称压力
07	JB/79.2-94 PN6.3
08	JB/79.2-94 PN10
09	JB/79.2-94 PN16
43	ANSI600
44	ANSI900
45	ANSI1500
77	HG20592 PN6.3
78	HG20592 PN10
79	HG20592 PN16
86	DIN2546 PN6.3
87	DIN2547 PN10
88	DIN2548 PN16
89	DIN2549 PN25
X	特殊规格

3 编码	连接形式 法兰形状
1	RF
2	FM
4	RTJ
5	SW
6	BW
7	LG
X	特殊规格

4 编码	额定 Cv	4 编码	额定 Cv
i2	44	i5	50
43	65	j4	70
j7	80	45	94
48	129	65	146
51	176	53	198
54	246	55	304
56	445	57	527

5 编码	流量特性
L	线性
%	等百分比

6 编码	阀内组件 温度范围
1	-46℃~200℃
2	200℃~300℃
3	300℃~400℃
4	400℃~530℃

7 编码	上阀盖温度范围
A	-46℃~200℃
C	300℃~530℃
X	特殊规格

8 编码	泄漏等级
IV	ANSI B16.104IV

9 编码	填料
3	Graphit with Inconel
5	Graphit
6	Graphit+PTFE

10 编码	阀体材质
03	WCB
04	CF8M
05	CF8
30	A217 WC6
31	A217 WC9
32	A217-C5
55	CF3M
L9	CF3
X	其它材质

11 编码	阀内件材质
04	316
05	304
06	410
07	420
28	440B
55	316L
L9	304L
X	其它材质

12 编码	阀芯及处理
0	不处理
1	HT
2	NT
X	特殊要求

13 编码	阀座及处理
0	不处理
1	HT
2	ST
X	特殊要求

14 编码	特殊要求
e	禁油
b	禁铜
c	禁水
d	禁硫
X	其它要求

二、执行机构

见执行机构代码表。

银星能源·吴忠仪表 YINXING ENERGY·WUZHONG INSTRUMENT 调节阀数据表 SPECIFICATION FOR CONTROL VALVE		项目名称 PROJECT			
		合同号 CONT.NO			
		装置名称 DEVICE			
概 况 GENERAL	第 1 / 1 页 Sheet 1 of 1			型 式 Type ECOTROL 系列 型 号 Mode No. APM 公称通径 Body Size (DN) 公司提供 阀座直径 Ports Size(dN) 公司提供 额定 CV 值 Valve CV 公司提供 公称压力 Rating 公司提供 法兰型式 Connect 公司提供	
	位 号 TAG No	用户提供			
	数 量 Quantity	用户提供			
	管道编号 P & ID No	用户提供			
	管道规格 Line Size	用户提供			
	管道材质 Line Material	用户提供			
	用 途 Server	用户提供			
操 作 条 件 及 结 果 OPERATION AND RESULT	流体名称 Fluid Name	用户提供		阀体组件 BODY 阀体 Body 公司提供 阀芯 Plug 公司提供 阀座 Seat 公司提供 阀杆 Stem 公司提供 泄漏等级 Leakage Class 公司提供 流量特性 Characteristic 公司提供 上盖型式 Bonnet Type 公司提供 填 料 Packing 公司提供 作用型式 Action 公司提供	
	流体状态 Fluid State	用户提供			
		最大 Max	正常 Nor		最小 Min
	操作温度 Operation Temp (°C)	用户提供			
	流量单位 Flow Rate Unit	用户提供			
	流 量 Flow Rate	用户提供			
	压力单位 Pressure Unit	MPa(A)			
	阀前压力 Input Pressure	用户提供			
	阀后压力 Outlet Pressure	用户提供			
	压 差 Different Pressure	系统生成			
	关闭压力 Shut off Pressure	用户提供			
	比 重 SP.Gr.	用户提供			
	操作密度 Opera Density(Kg/m ³)	用户提供			
	标准密度 ST Density (Kg/m ³)	用户提供			
	气体分子量 M.W	系统生成			
	动力粘度 Dynamic Viscosity(CP)	用户提供			
	压力恢复系数 FL	系统生成			
	汽化压力 Vapor Pressure	系统生成			
	临界压力 Critical Pressure	系统生成			
	气源故障时阀位 Position Of Air Fail	关(FC)			
	计算 CV 值 Calculate CV	系统生成			
	开 度 Travel(%)	系统生成			
	噪 音 Noise Level (dB)	系统生成			
特 殊 需 求 SEPCIAL REQUIREMENTS	特殊检查 Sepcial Inspection	用户提供		执行机构 ACTUATOR 型 式 Type 公司提供 型 号 Mode No 公司提供 行 程 Travel(mm) 公司提供 供气压力 Air Supply (MPa) 公司提供 弹簧范围 Spring (MPa) 公司提供 电 压 Voltage 公司提供 输入信号 Input Signal 公司提供 手轮机构 Hand Wheel 公司提供 关闭压差 Shut Off DP (Mpa) 公司提供	
	禁铜处理 Forbidding Copper Treatment	用户提供			
	指定色涂层 Specified Painting Coat	用户提供			
	除油除水处理 Removing Oil and Water	用户提供			
	热寒带地区 Used in Tropic or Frigid Zone	用户提供			
	防沙防尘型 Preventing Sand and Dust	用户提供			
	防强腐蚀型 High-crodent substance Proof	用户提供			
	动作频次高 High frequent Action	用户提供			
开启关闭时间 Open/Close Time	用户提供				
备 注 REMARKED				定位器 POSITIONER 型 号 Mode No 公司提供 供气压力 Air Supply (MPa) 公司提供 输入信号 Input Signal 公司提供 防爆等级 EXP.Class 公司提供 气源接口 Air Input Connect 公司提供 电气接口 Electric.Connect 公司提供 电磁阀 SOLENOID 型 号 Mode No 公司提供 电 压 Voltage 公司提供 气源接口 Air Input Connect 公司提供 减压阀 AIR SET 公司提供	
				外形尺寸 DIMENSIONS <p> VBL=nn YU=nn E=nn VH=nn phi A=nn AH=nn 重量=XG </p>	

50年控制阀制造经验
QUALITY SINCE 1959

宁夏吴忠仪表公司
Ningxia Wuzhong Instrument Co., LTD.
地址：宁夏吴忠市朝阳街67号 邮编：751100
Tel:0953-3929024 Fax:3929014
[http:// www.wzyb.com.cn](http://www.wzyb.com.cn)