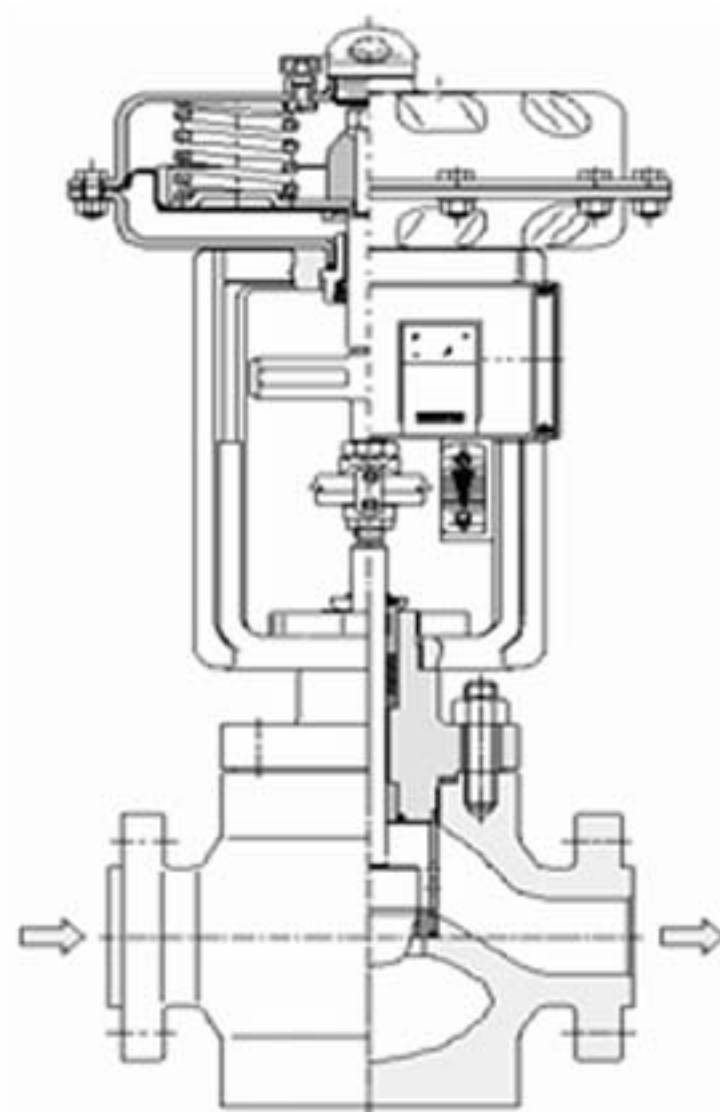


ECOTROL SERIES

APS 快换式高压单座调节

QUICK-CHANGEABLE HIGH-PRESSURE SINGLE GLOBE VALVE



APS 快换式高压单座调节阀

APS Quick-Changeable High-Pressure Single Seated Globe Valve

概要:

APS 快换式高压单座调节阀是一种顶导向单座调节阀,具有结构简单、流量大、性能可靠等特点。独特的笼子设计也适用于有冲刷、气蚀等条件苛刻的工况。

配用多弹簧气动薄膜执行机构或电动执行机构。执行机构与定位器等附件之间采用无管路连接,使得安装空间大大缩小,且安装快速方便、可靠性高。

GENERAL

APS quick-changeable high-pressure single seated control valve is characterized by top-guide, owns the features of simple structure, mass flow, excellent stability. Unique structure of cage can also be applicable in severe services, such as erode and cavitation.

It has multi-spring type diaphragm actuator or electric actuator. Pipeless connection makes the valve more compact, more conveniently to assemble and disassemble, and have higher reliability.

阀体部分 BODY

形式 Type	不平衡阀芯型 Unbalance plug type
公称通径 Body size	DN25~DN200(1"~8")
阀芯形状 Plug form	抛物线阀芯 Parabolic single plug
流量特性 Characteristics	等百分比、线性 Equal percentage, linear
阀内件材质 Trim materials 阀内件处理 Trim treatment	标准材质组合及使用温度、压力范围,请参见表 1 及图 1 See table 1 and fig. 1 for standard combination of material and operating pressure-temperature.
公称压力 Body ratings	JB/T79-94 HG20592 DIN2543/2544/2545 PN6.3、PN10、PN16、PN25MPa; ANSI B16.5 ANSI600、ANSI900、ANSI1500
连接方式 Body connections	法兰式(RF、FM、RTJ) Flanged(RF、FM、RTJ)
法兰距 Face to Face dimension	符合 IEC 534-4-1976,详细见第 18~23 页。 According with IEC 534-4-1976. See pages 18 to 23.
阀体及上阀盖材质 Body&Bonnet Material	A216-WCB/1.0619, A217-WC6/1.7357, A217-C5, A217-WC9/1.7379, A352-LCB, A351-CF8/1.4308, A351-CF8M/1.4408 and other alloy steel. 各种材质的使用温度、压力范围参见表 1、表 2 及图 2。 As to the operating pressure-temperature limitation for each material, see tables 1, table2 & Fig 2.
上阀盖形式 Bonnet type	标准型 Standard type: -46 ~ 200℃; 200℃ ~ 300℃ 散热片型 Fin-extention type: 300℃ ~ 530℃
填料 Packing	石墨组合填料、石墨填料等 使用温度、压力范围请参阅表 3、图 3 Grafoil and PTFE combination packing, grafoil packing. See table 2 & fig. 2 for selection.
垫圈 Gasket	金属夹石墨密封垫 Spiral wound metal, with grafoil filler.
表面涂层 Painting color	碳钢阀体喷银色环氧树脂 Argentate munsell on carbon steel 不锈钢阀体喷钢灰丙烯酸瓷漆 Steel grey crylic acid enamel on stainless steel

执行机构 ACTUATOR

规格 Specification	型号 Type	气动薄膜式 Diaphragm type	电动式 Electric Motor type
		MF	PEL
		多弹簧型 Multi-spring	
用途 Purpose		调节 Modulation	调节 Modulation
供气压力或供给电压 Air supply or Power supply		200(75-150)Kpa G, 300(75-150)Kpa G 450(170-360)Kpa G, 450(180-370)Kpa G 550(200-360)Kpa G, 550(220-440)Kpa G 300(96-171)Kpa G, 350(145-256)Kpa G	供电电源: 220V 50Hz Power supply 输入信号: 4~20mA Input signal
接口 Connection		G1/8(MF2), G1/4(MF3)G3/4(MF5)	进出线口: M20X1.5(2个) Conduit entry
正作用 Direct action		供气压力增加, 阀门关闭 Air to valve shut	输入信号增加阀门 Signal increase to valve shut
反作用 Reverse action		供气压力增加, 阀门打开 Air to valve open	输入信号增加阀门 Signal increase to valve open
滞后 Hysteresis		≤ 1%(带定位器)With positioner	≤ 0.8%
线性 Linearity		≤ ± 1%(带定位器)With positioner	≤ ± 1%
允许环境温度 Ambient Temp		-30℃~+80℃	-20℃~+60℃
标准涂层色 /Painting		中国蓝 /China blue	中国蓝 /China blue
选购设备 Option		电气阀门定位器, 智能阀门定位器 空气过滤减压阀, 电磁阀, 行程开关, 阀位变送器 E/P P/P-Positioner, Air-set, Solenoid, Limit switch, Transmitter	限位开关 Limit switch

性能 PERFORMANCE

额定 Cv 值 Rated Cv		请参见表 4 See Table 4
流量特性 Flow characteristics		请参见图 4 See Fig 4
可调比 R Rangeability		50:1 (Plug size ≤ 1/4B-30:1)
阀座泄漏量 Seat leakage		请参见表 1 See Table 1
允许压差 Allowable pressure drops		请参见表 5 See Table 5

特殊规格(有偿)OPTIONAL SPECIAL SPECIFICATIONS(additional cost is required)

阀体特殊检查 Special testing for Body	材料检查、液体渗透探伤检查、放射线检查、流量特性检查、 Material certificate, liquid penetrant testing, Radiographic testing, Flow characteristics testing
阀体特殊清洗 Special cleaning for body	禁油、除水处理 Oil-free, water-proof
阀体及执行机构特殊规格 Special specifications for body and actuator	防砂、防尘型、防盐腐蚀型、寒冷地区用、热带地区用、禁铜、特殊空气配管及特殊气源 接头、真空工作条件用、指定涂层色 Sand and dust proof, salty environment proof, cold area proof, tropical area proof. Do not use copper alloy, special piping and fitting, vacuum service proof, SUS bolt and nut for exposed parts, Non-standard painting.
认证 Authorization	通过中国 VTI 和美国 FMRC ISO9001 国际质量体系认证、国家技术监督局 ISO 10012-1 完善计量检测体系认证 Authorization of China CQC, ISO9001 ISO 10012-1

表 1. 阀体、阀内件材质组合及使用温度范围、阀座允许泄漏量
Table1. BODY/TRIM STANDARD MATERIAL COMBINATION, OPERATING TEMPERATURE AND SEAT LEAKAGE

阀内件材质、处理使用温度、压力范围 请参见图 1

Trim material/treatment vs operating temperature–pressure range :See Fig1

表 1.1 阀体材质:碳钢
Table1.1 BODY MATERIAL :CARBON STEEL

阀体材质 Body material		A216-WCB/1.0619, A217-WC6/1.7357, A217-C5, A217-WC9/1.7379, A352-LCB			
阀芯 Plug	材质 Material	420/1.4021	3Cr17NiMo/1.4122	440B/1.4112	316/1.4571
	处理 Treatment	HT	HT	HT	HT
阀座 Seat	材质 Material	420/1.4021	3Cr17NiMo/1.4122	440B/1.4112	316/1.4571
	处理 Treatment	HT	HT	HT	HT
导向套 Guide	材质 Material	440B/1.4112	440B/1.4112	440B/1.4112	316/1.4571
	处理 Treatment	HT	HT	HT	NT
密封垫圈 Gasket		316+GRF	316+GRF	316+GRF	316+GRF
阀座允许泄漏量 Seat Leakage	ANSI B16.104	CLASS IV 或(or) V	CLASS IV 或(or) V	CLASS IV 或(or) V	CLASS IV 或(or) V
使用温度 Operating temperature °C	A216-WCB/1.0619	-5~425°C	-5~425°C	-5~425°C	-5~425°C
	A217-WC6/1.7357	-5~538°C	-5~538°C	-5~538°C	-5~538°C
	A217-C5				
	A217 WC9/1.7379				
	A352-LCB	-45~230°C	-45~230°C	-45~230°C	-45~230°C

备注: 1. DN25-50 阀芯为整体式, DN80-200 阀芯为分体式;

2. HT= 硬化处理, NT= 渗氮处理。

Remarks: 1. Integral plug for DN25-50, separated plug as called plug and stem for DN80-200.

2. HT= Hardening Treatment, NT= Nitriding Treatment.

表 1.2 阀体材质:不锈钢
Table1.2 BODY MATERIAL :STAINLESS STEEL

阀体材质 Body material		A351-CF8/1.4308		A351-CF8M/1.4408	
阀芯 Plug	304/1.4308	316/1.4571		316/1.4571	
	--	ST	--	ST	ST
阀座 Seat	304/1.4308		316/1.4571		
	--	ST	--	ST	ST
导向套 Guide	316/1.4571		316/1.4571		
	NT	NT	NT	NT	NT
密封垫圈 Gasket		316+GRF		316+GRF	
阀座允许泄漏量 Seat Leakage	ANSI B16.104	CLASS IV 或(or) V		CLASS IV 或(or) V	
使用温度 Operating temperature °C	A351-CF8/1.4308	-45~538°C		-45~538°C	
	A351-CF8M/1.4408	-45~538°C		-45~538°C	

备注: 1. DN25-50 阀芯为整体式, DN80-200 阀芯为分体式; 2. HT= 硬化处理, NT= 渗氮处理。3. 可根据用户需求铸造双相不锈钢 ASTM A-890-99 Grade 3A(1.4468)及哈氏合金等特殊材质的阀门

Remarks: 1. Integral plug for DN25-50, separated plug as called plug and stem for DN80-200.

2. HT= 硬化处理 Hardening Treatment, NT= 渗氮处理 Nitriding Treatment.

3. Several stainless steels such as ASTM A-890-99 Grade 3A(1.4468) double metallic phases steel and Hastelloy can be supplied according to clients' requirements;

表 1.3 各国常用阀门用铸钢对照表 Comparison table for cast steels used in valves

国家标准 Standard of country	材料牌号 Symbol of material						
	铸钢 Cast steel						
美国 ASTM 标准 ASTM Standard	A216 WCB	A217 C5	A217 WC6	A217 WC9	A315 CF8	A351 CF8M	A-890-99 Grade3A
德国 DIN 17001 W-NrGerman	1.0619		1.7357	1.7379	1.4308	1.4408	1.4468
中国 GB/T17616 China	ZG25I	5.0Cr0.5Mo	1.25Cr0.5Mo	2.5CrMo	ZG0Cr18Ni9	ZG0Cr17Ni12Mo2	ZG0Cr25Ni6Mo2N
日本 JIS Japan	SCPH2	SCPH61	SCPH21	SCPH32	SCS13/SCS13A	SCS14	

表 1.4 各国常用阀门用不锈钢对照表 Comparison table for stainless steels used in valves

国家标准 Standard of country	材料牌号(近似对照) Symbol of material (approximately comparing)							
	不锈钢 Stainless steel							
美国 ASTM 标准 ASTM Standard	316	316L	304	304L	410	420	440B	
德国 DIN 17001 W-NrGerman	1.4571	1.4435	1.4308	1.4306	1.4006	1.4021	1.4112	1.4122
中国 GB/T17616 China	0Cr17Ni12Mo2	00Cr17Ni14Mo2	0Cr18Ni9	00Cr18Ni10	1Cr13	2Cr13	9Cr18MoV	3Cr17NiMo
日本 JIS Japan	SUS316	SUS316L	SUS304	SUS304L	SUS410	SUS420J1	SUS440B	

表 2 阀体材质的使用温度·压力范围

Table2 BODY MATERIAL/OPERATING PRESSURE-TEMPERATURE RATINGS

UNIT:MPa G

温度 Temp. ℃	ANSI 600						ANSI 900						ANSI 1500					
	LCB	WCB	WC6	WC9	WF8	F8M	LCB	WCB	WC6	WC9	CF8	CF8M	LCB	WCB	WC6	WC9	CF8	CF8M
-196~38	---	---	---	---	9.91	9.92	---	---	---	---	14.88	14.88	---	---	---	---	24.79	24.79
-45~38	9.56	---	---	---	9.91	9.92	14.35	---	---	---	14.88	14.88	23.92	---	---	---	24.79	24.79
-5~38	9.56	10.02	10.32	10.32	9.91	9.92	14.35	15.31	15.50	15.50	14.88	14.88	23.92	25.51	25.84	25.84	24.79	24.79
50	9.45	10.01	10.22	10.32	9.56	9.62	14.18	15.01	15.33	15.35	14.34	14.43	23.64	25.02	25.55	25.58	23.90	24.04
100	9.01	9.27	9.74	10.29	8.17	8.43	13.52	13.90	14.62	14.70	12.25	12.65	22.53	23.16	24.36	24.50	20.42	21.09
150	8.78	9.04	9.26	10.03	7.26	7.69	13.18	13.56	13.90	13.98	10.89	11.54	21.96	22.60	23.18	23.30	18.16	19.24
200	8.53	8.75	9.09	9.75	6.54	7.12	12.79	13.14	13.63	13.45	9.82	10.69	21.32	21.89	22.73	22.40	16.37	17.83
250	8.11	8.33	8.88	9.26	6.10	6.67	12.17	12.51	13.33	13.26	9.15	10.02	20.28	20.84	22.22	22.10	15.26	16.68
300	7.53	7.74	8.48	8.48	5.80	6.32	11.30	11.61	12.72	12.72	8.71	9.49	18.84	19.36	21.20	21.20	14.52	15.80
350	7.18	7.38	8.04	8.04	5.60	6.07	10.78	11.08	12.06	12.06	8.42	9.12	17.96	18.46	20.11	20.11	14.02	15.20
375	-	7.28	7.75	7.75	5.54	5.93	-	10.94	11.63	11.63	8.32	8.91	-	18.22	19.38	19.38	13.86	14.84
400	-	6.89	7.31	7.31	5.48	5.81	-	10.34	10.98	10.98	8.23	8.72	-	17.24	18.28	18.28	13.72	14.55
425	-	5.74	7.01	6.91	5.42	5.72	-	8.62	10.53	10.53	8.14	8.59	-	14.37	17.54	17.54	13.57	14.32
450	-	4.00	6.75	6.17	5.37	5.61	-	6.01	10.13	10.13	8.06	8.42	-	10.02	16.89	16.89	13.42	14.03
475	-	2.70	6.32	5.17	5.30	5.46	-	4.06	9.50	9.50	7.97	8.20	-	6.76	15.82	15.82	13.27	13.67
500	-	1.75	5.55	4.04	5.20	5.37	-	-	8.33	8.33	7.81	8.05	-	-	13.89	13.89	13.02	13.40
525	-	1.03	4.04	3.07	4.77	5.15	-	-	6.08	6.58	7.15	7.73	-	-	10.12	10.96	11.94	12.89
550	-	0.72	3.26	2.69	4.55	5.06	-	-	3.83	4.91	6.54	7.49	-	-	6.38	8.17	10.91	12.48
575	-	-	-	-	-	-	-	-	2.55	3.51	6.02	7.22	-	-	4.24	5.85	10.04	12.04
600	-	-	-	-	-	-	-	-	1.75	2.29	5.01	6.43	-	-	2.94	3.82	8.35	10.71
625	-	-	-	-	-	-	-	-	-	-	3.92	5.48	-	-	-	-	6.54	9.12
650	-	-	-	-	-	-	-	-	-	-	3.16	4.23	-	-	-	-	5.25	7.06
675	-	-	-	-	-	-	-	-	-	-	2.33	3.78	-	-	-	-	3.88	6.31

图 1 阀内件材质·处理选定基准

Fig.1 TRIM TREATMENT/MATERIAL VS OPERATING PRESSURE-TEMPERATURE RATINGS

司太莱堆焊的工作温度和压差范围

Stellited trim

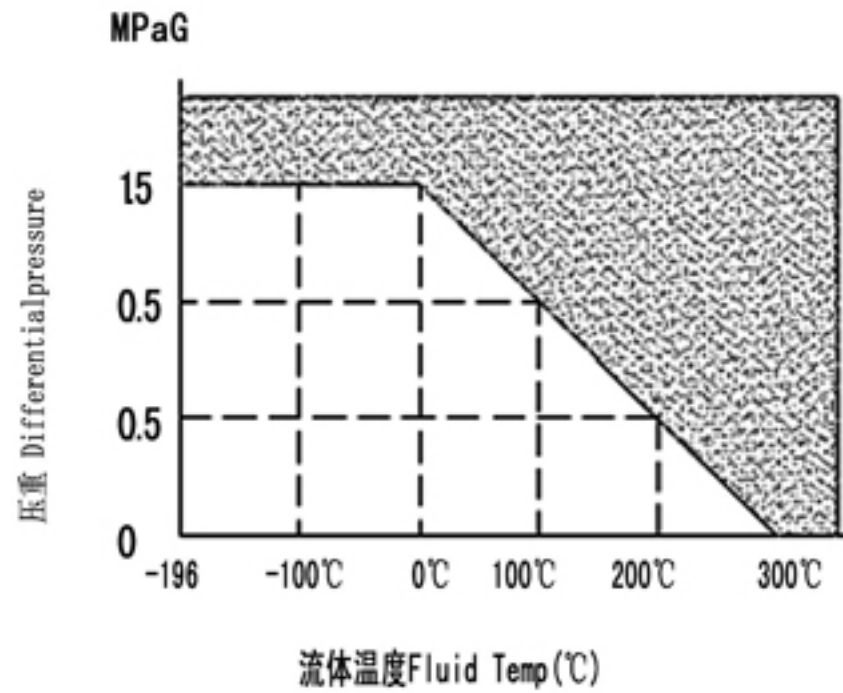
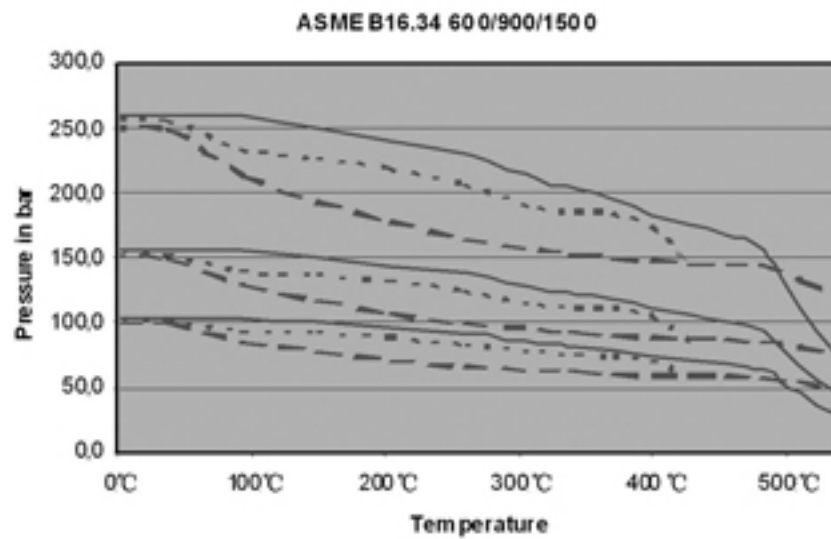


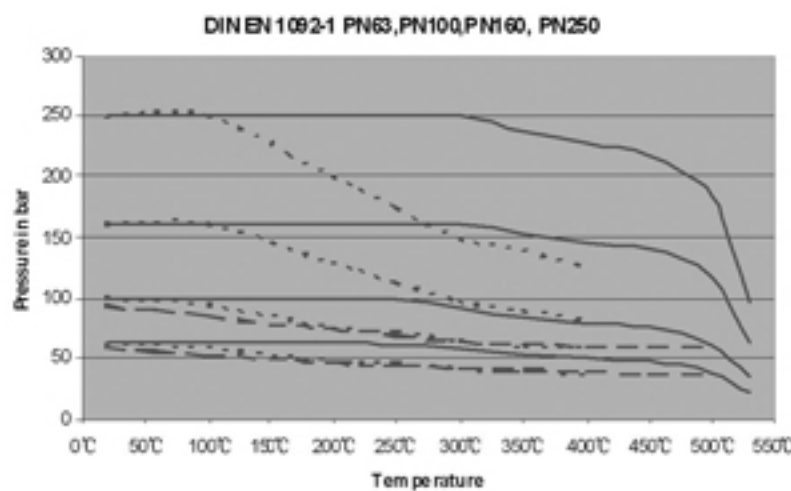
图 2.温压曲线

Fig.2 PRESSURE -TEMPERATURE DIAGRAMS

ASME
B16.34/B16.35



DIN EN
1092-1



- WC6/1.7357
- - - - - CF8M/1.4581
- WCB/1.0619
- 0.7043

表 3: 填料的使用温度及压力范围

Table 3: The allowable operating pressure-temperature limitation for packing

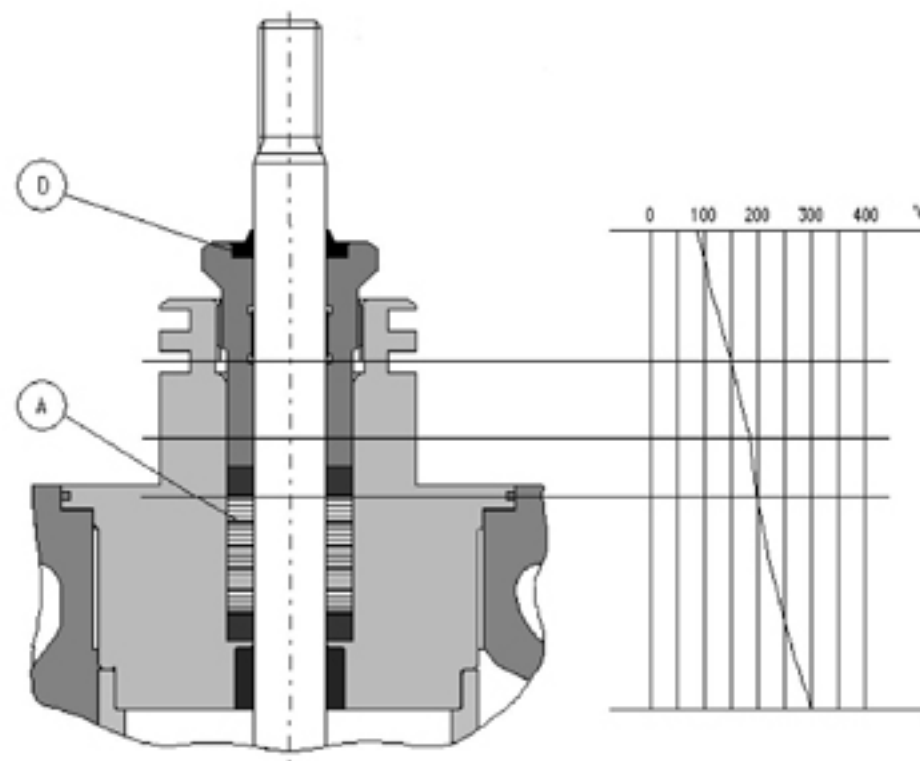
填料类型 (A 所示) Packing type Showed with A	代码 Code	防尘圈材质 (D 所示) Wiper Showed with D	温度范围 Temperature limitation	上阀盖型式 Bonnet type	备注说明 Remarks
石墨 + 因科镍填料 Graphite with inconel	3	NBR(丁腈橡胶) VITON(氟橡胶)	-20℃ ~ 400℃	标准型 / 带散热片型 Standard or Fin-extension	一般场合 Common Service
纯石墨填料 (Flexible graphite)	5	VITON(氟橡胶)	-196℃ ~ 530℃	标准型 / 带散热片型 Standard or Fin-extension	高、低温场合 High or low temperature
石墨 + PTFE Graphite + PTFE	6	NBR(丁腈橡胶)	-196℃ ~ 200℃	标准型 / 加长型 Standard or long-extension	低温场合 Low temperature

注: 选择温度范围时, 如无特殊要求, 应就近选择。

Note: If no special requirements, immediate temperature scope is recommended.

图 3. 填料使用温度·压力范围

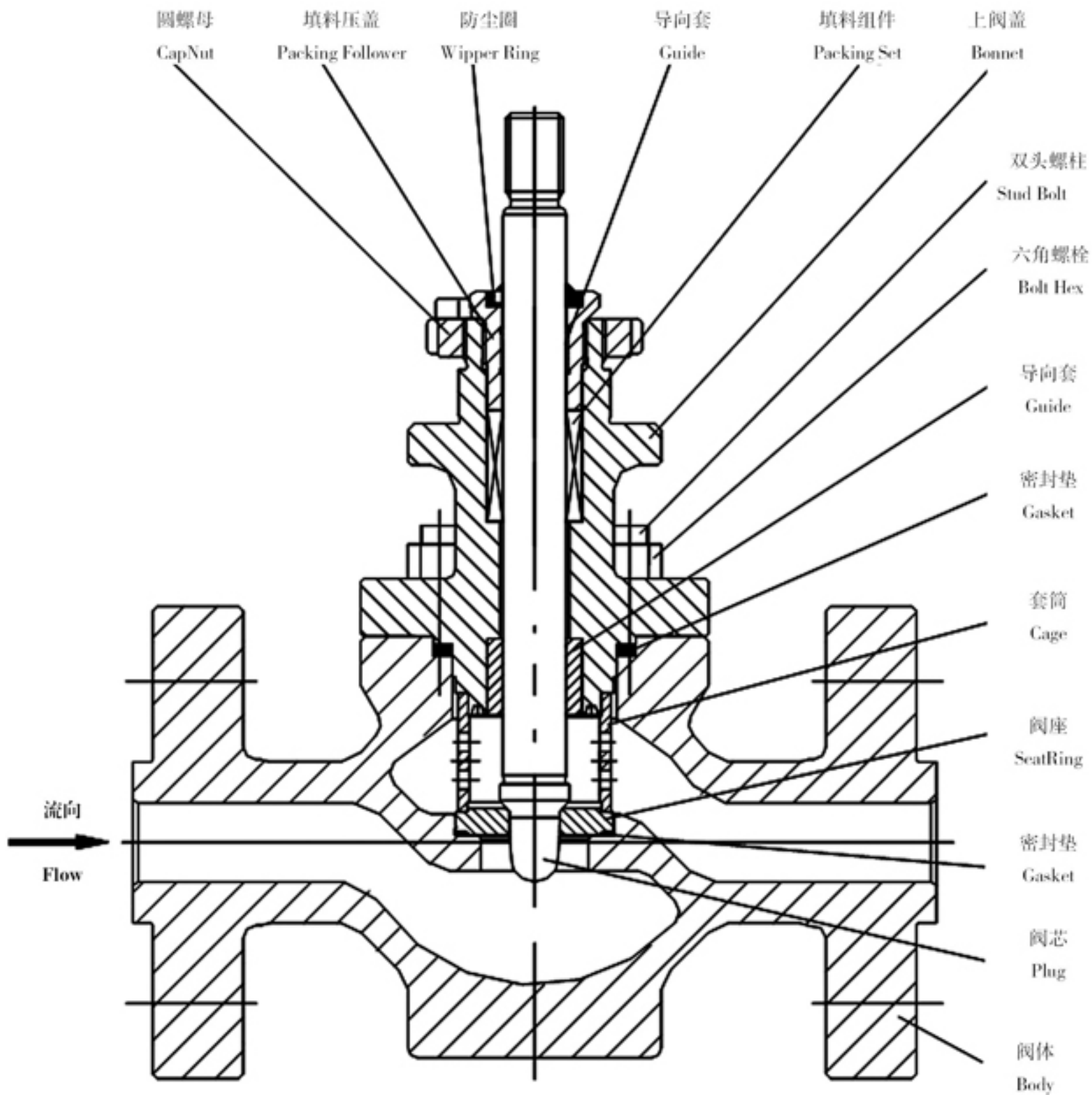
Fig.3 GLAND PACKING OPERATING PRESSURE-TEMPERATURE RATINGS



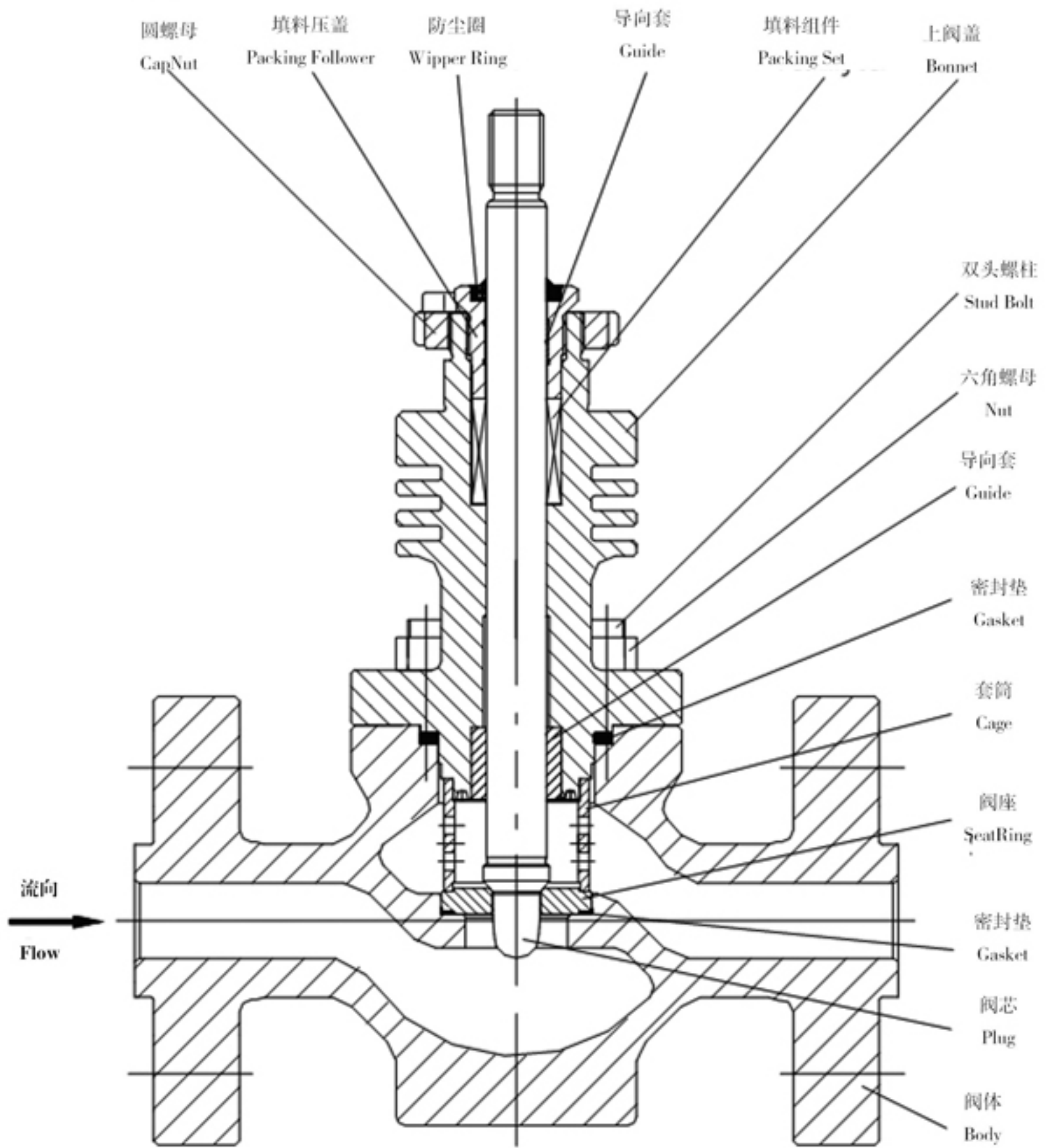
Temperature of fluid

图 4.本体部构造 Fig.4 BODY SECTION VIEW

图 4-1 公称通径 DN80 以下 Fig.4-1 BODY SIZE UNDER DN80

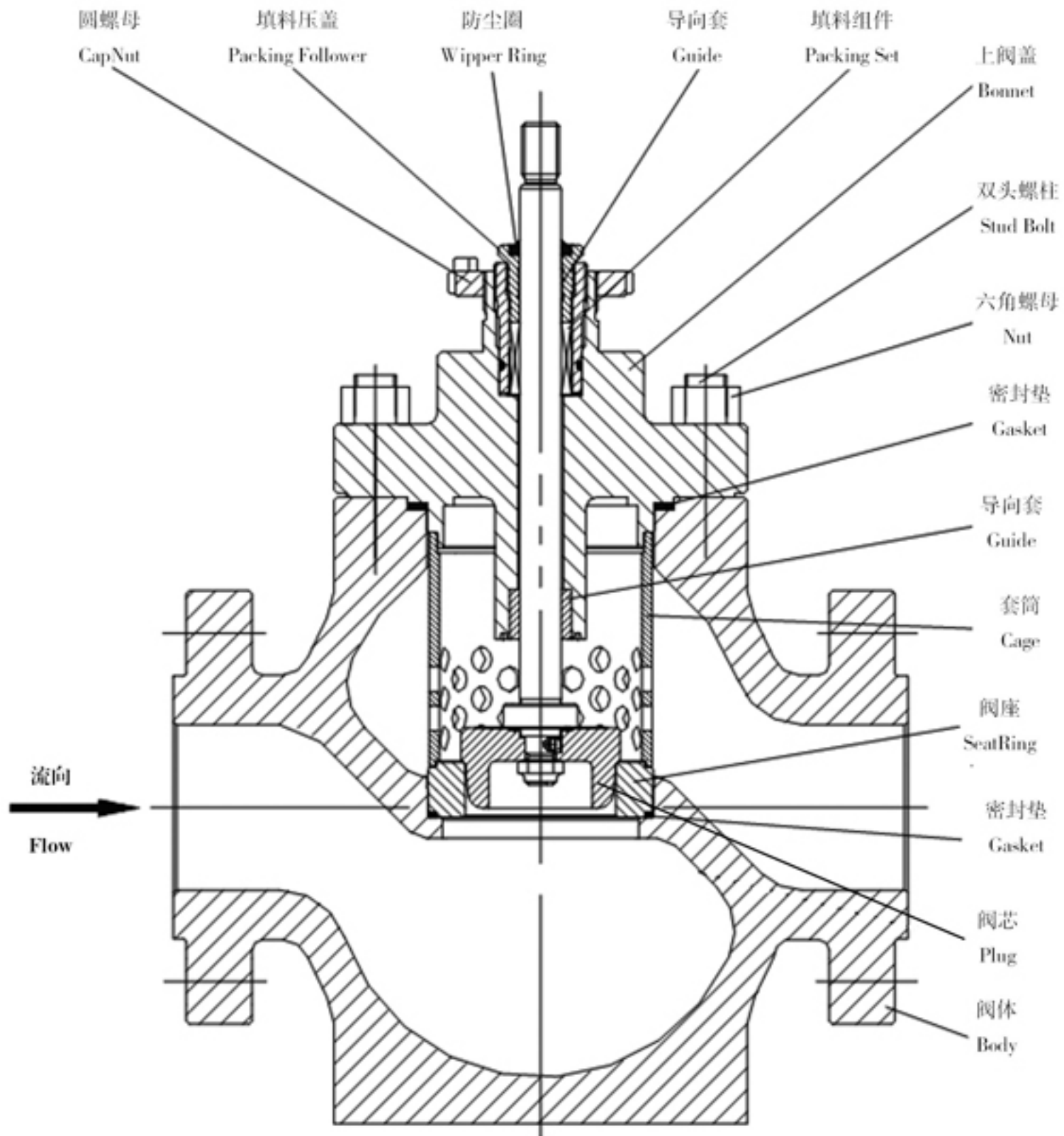


常温 Normal temperature

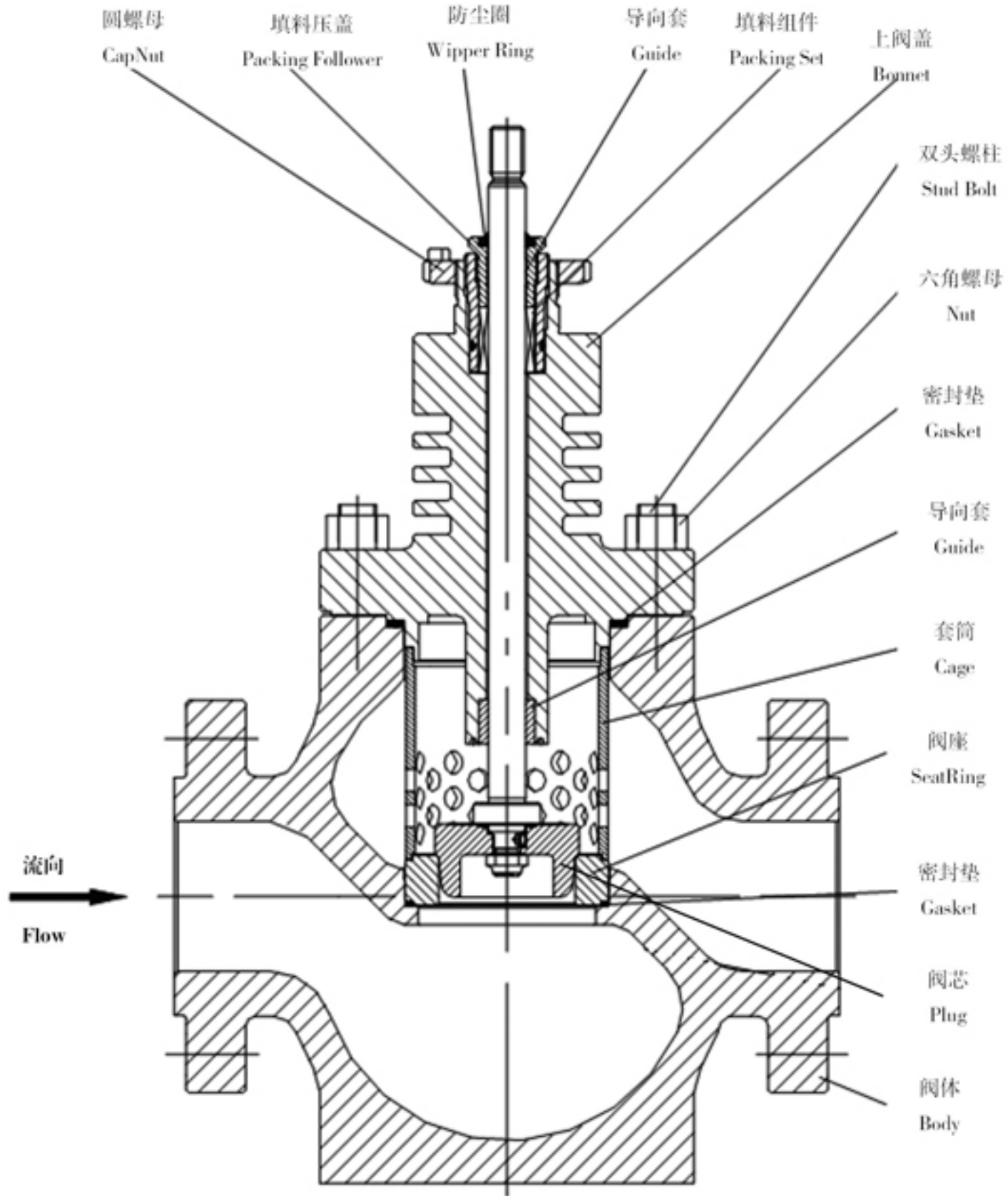


高温 High temperature

图 4-2.公称通径 DN80 (3"),DN100 (4") Fig.4-2 BODY SIZE DN80 (3"),DN100 (4")

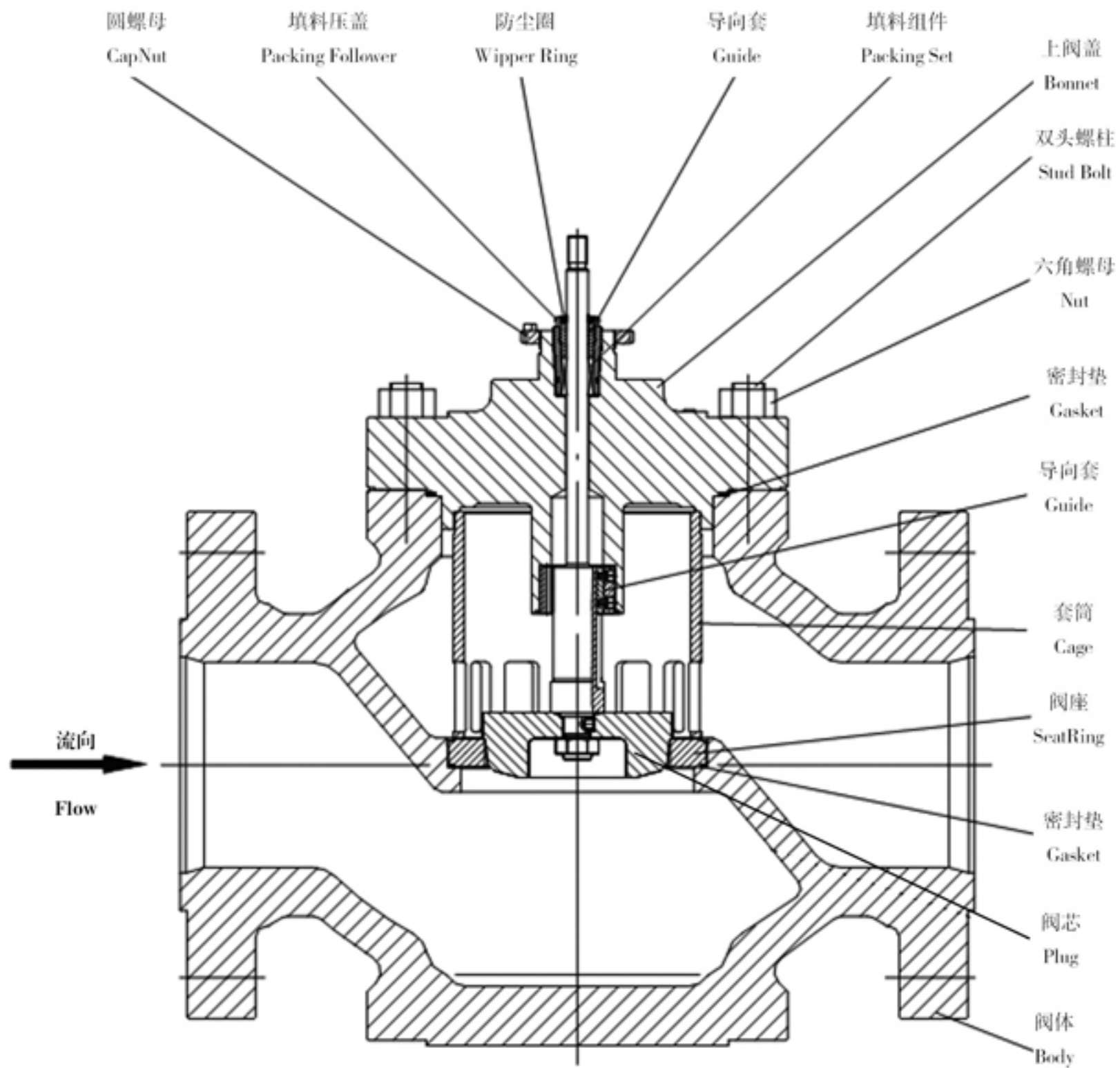


常温 Normal temperature

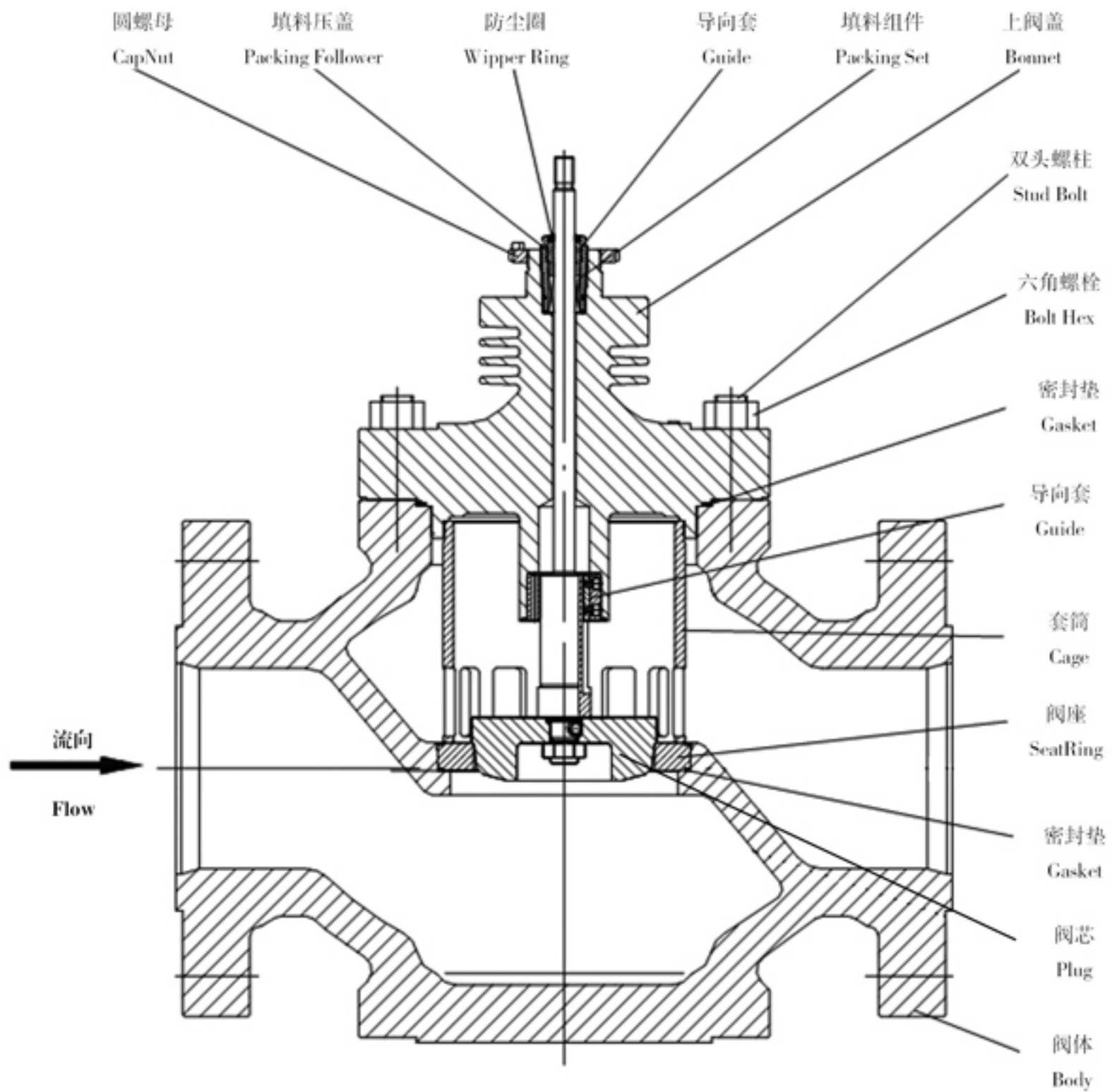


高温 High temperature

图 4-3.公称通径 DN150 (6")以上 Fig.4-3 BODY SIZE DN150 (6"),AND OVER



常温 Normal temperature



高温 High temperature

表 4. 额定 Cv·行程及缩腔型阀芯制造范围
Table4 Cv VALUE, STROKE AND REDUCED PLUG MANUFACTURING RANGE
Table.4: 额定 Cv 值 Rated Cv

阀芯形式 Plug type		打孔阀芯 Perforated plug						
流量特性 Flow characteristics		线性 linear			等百分比 Equal percentage			快开 On/off
公称通径 Rated size	行程 Stroke	Cv1	Cv2	Cv3	Cv1	Cv2	Cv3	Cv1
25	20	12.9	8.2	4.7	12.9	8.2	4.7	12.9
40	20	31	21	13	31	21	13	31
50	20	50	31	21	50	31	21	50
80	30	117	80	50	117	80	50	117
100	30	176	117	80	176	117	80	176
150	60	445	304	176	445	304	176	445
200	60	761	445	304	761	445	304	761

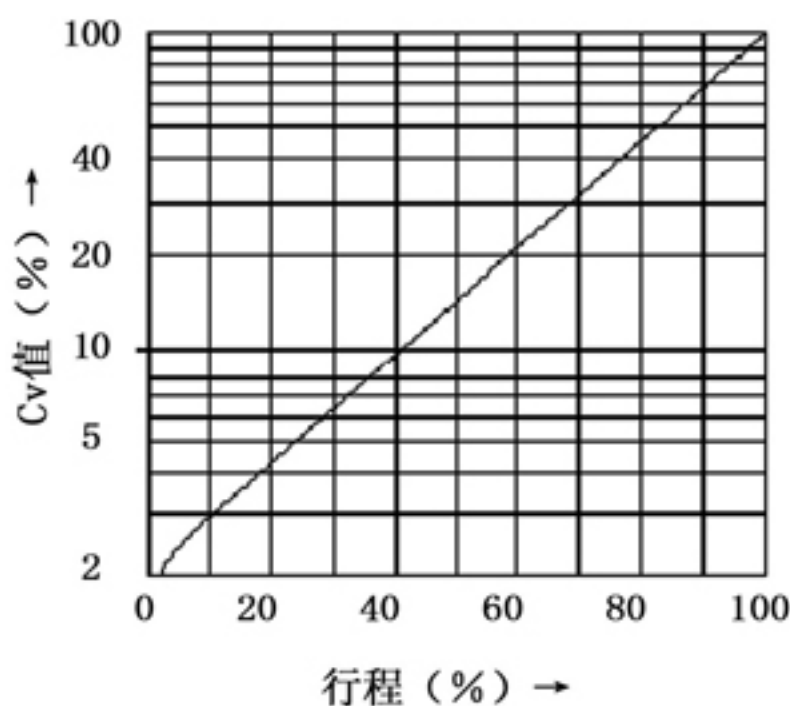
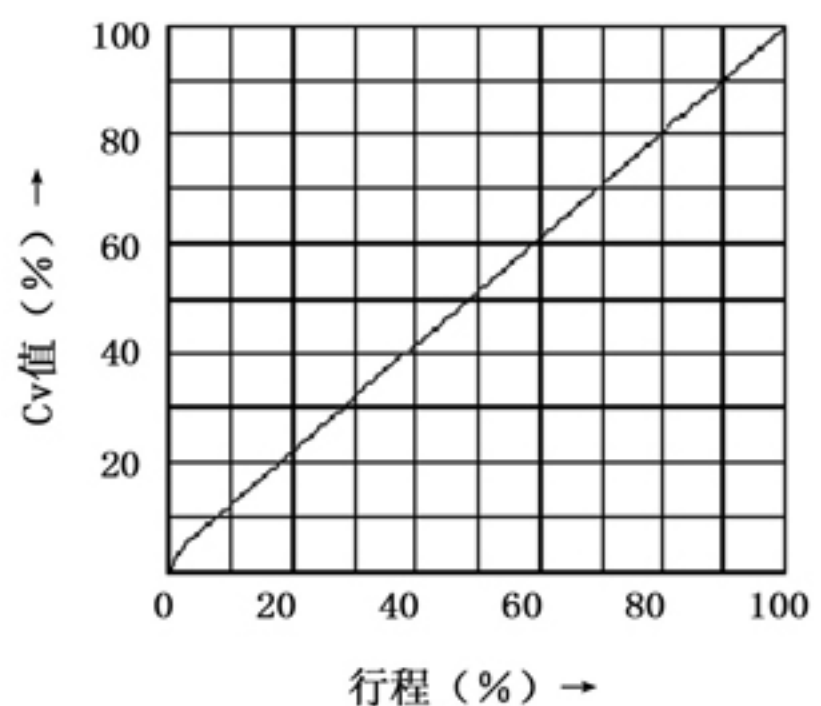
图 5. 流量特性符合 IEC 标准。
Fig.5 FLOW CHARACTERISTICS UNDER IEC STANDARD

 等百分比特性(% 金属阀座)
 Equal percentage (% metal sealing)

 线性特性(L 金属阀座)
 Linear (L metal sealing)

表 5 最大允许压差(单位:bar)

Table 5 Allowable pressure drops(unit:bar)

表 5.1:允许压差(泄漏等级IV级):

Table 5.1: Allowable pressure drop (leakage class IV)

执行机构 MF2,3 系列 MF2, 3 series actuator					作用型式:气开 弹簧数量 Air to open Spring number				作用型式:气关 弹簧数量 Air to close Spring number							
公称通径 DN(mm) Rated size	最大行程 (mm) Stroke	执行机构尺寸参数 Actuator parameter	Cv	阀座直 径(mm) Seat size	3	6	9	12	3	3	3	6	6			
					供气压力(bar) Air supply											
					2.5	4.0	4.5	5.5	3.0	4.5	6.0	4.5	6.0			
25 1"	20	MF2 $\frac{D}{R}$ -3XX 320cm ² (50in ²)	12.9	24						53.6	159.7	160.0	53.6	159.7		
			8.2	19	3.6	88.3	-	-	88.3	160.0	160.0	88.3	160.0			
			4.7	16	7.4	126.8			126.8	160.0	160.0	160.0	160.0			
40 1 1/2"	20	MF2 $\frac{D}{R}$ -3XX 320cm ² (50in ²)	31	37					20.6	65.3	110.0	20.6	65.3			
			21	32		28.6			28.6	88.3	148.0	28.6	88.3			
			12.9	24		53.6	-	-	53.6	159.7	160.0	53.6	159.7			
50 2"	30	MF2 $\frac{D}{R}$ -5XX 320cm ² (50in ²)	50	78					11.3	37.9	64.4	11.3	37.9			
			31	37		20.6			20.6	65.3	110.0	20.6	65.3			
			21	32		28.6			28.6	88.3	148.0	28.6	88.3			
		MF3 $\frac{D}{R}$ -1XX 720cm ² (111in ²)	50	48	12.4	40.1	56.7	73.2	44.5	104.2	160.0	44.5	104.2			
			31	37	22.5	69.0	97.0	124.9	76.5	160.0	160.0	76.5	160.0			
			21	32	31.1	93.3	130.6	160.0	103.2	160.0	160.0	103.2	160.0			
80 3"	30	MF2 $\frac{D}{R}$ -5XX 320cm ² (50in ²)	117	73					4.0	15.4	26.9	4.0	15.4			
			80	62		6.1			6.1	22.0	37.9	6.1	22.0			
			50	48		11.3			11.3	37.9	64.4	11.3	37.9			
		MF3 $\frac{D}{R}$ -1XX 720cm ² (111in ²)	117	73	4.4	16.4	23.6	30.7	18.3	44.1	69.9	18.3	44.1			
			80	62	6.7	23.3	33.2	43.2	25.9	61.7	97.5	25.9	61.7			
			50	48	12.4	40.1	56.7	73.2	44.5	104.2	160.0	44.5	104.2			
100 4"	30	MF2 $\frac{D}{R}$ -5XX 320cm ² (50in ²)	176	90					2.2	9.7	17.3	2.2	9.7			
			80	73		4.0			4.0	15.4	26.9	4.0	15.4			
			50	62		6.1			6.1	22.0	37.9	6.1	22.0			
		MF3 $\frac{D}{R}$ -1XX 720cm ² (111in ²)	176	90	2.5	10.4	15.1	19.8	11.6	28.6	45.6	11.6	28.6			
			80	73	4.4	16.4	23.6	30.7	18.3	44.1	69.9	18.3	44.1			
			50	62	6.7	23.3	33.2	43.2	25.9	61.7	97.5	25.9	61.7			
150 6"	60	MF3 $\frac{D}{R}$ -2XX 720cm ² (111in ²)	445	143					4.5	6.6	8.6	5.2	12.8	20.3	5.5	13.0
			304	113		6.4	9.3	12.2	7.5	17.9	28.3	7.9	18.3			
			176	90	2.5	10.4	15.1	19.8	11.6	28.6	45.6	11.6	28.6			
200 8"	60	MF3 $\frac{D}{R}$ -2XX 720cm ² (111in ²)	761	172					2.3	3.6	4.9	2.6	7.3	11.9	2.6	7.3
			445	143		4.5	6.6	8.6	5.2	12.8	20.3	5.5	13.0			
			304	113		6.4	9.3	12.2	7.5	17.9	28.3	7.9	18.3			
执行机构 MF5 系列 MF5 series actuator					作用型式:气开 弹簧数量 Air to open Spring number				作用型式:气关 弹簧数量 Air to close Spring number							
					4	6	8	4	4	4	6	6	6			
公称通径 DN(mm) Rated size	最大行程 (mm) Stroke	执行机构尺寸参数 Actuator parameter	Cv	阀座直 径(mm) Seat size	供气压力(bar) Air supply											
					3.0	3.5	4.5	3.0	4.0	5.0	3.0	4.0	5.0	6.0		
150 6"	60	MF5 $\frac{D}{R}$ -3X 1600cm ² (248in ²)	445	143	7.8	13.8	19.0	14.4	25.6	36.8	6.3	17.5	28.7	40.0		
			304	113	12.4	21.4	29.4	22.4	40.4	58.4	9.4	27.4	45.4	63.4		
			176	90	20.5	34.7	47.3	36.2	64.6	92.9	15.8	44.1	72.5	100		
200 8"	60	MF5 $\frac{D}{R}$ -3X 1600cm ² (248in ²)	761	172	4.8	8.7	12.3	9.0	17.0	24.8	3.5	11.3	19.1	27.0		
			445	143	7.8	13.8	19.0	14.4	25.6	36.8	6.3	17.5	28.7	40.0		
			304	113	12.4	21.4	29.4	22.4	40.4	58.4	9.4	27.4	45.4	63.4		

注:1. 8 根弹簧只用在 MF5R 反作用执行机构中;执行机构型号中 "XX" 的代码详见执行机构样本;

2. 表中数值为最大允许关闭压差。

Note:

1. 8 springs is only used in the actuator of MF5R. The code "XX" of actuator type is detailed in the catalogue of actuator.

2.The number showed in above table is the max. of allowable pressure drops.

表 5.2: 允许压差(泄漏等级 V 级):
Table 5.2: Allowable pressure drop (leakage class V)

执行机构 MF2,3 系列 MF2, 3 series actuator					作用型式:气开 弹簧数量 Air to open Spring number				作用型式:气关 弹簧数量 Air to close Spring number					
公称通径 DN(mm) Rated size	最大行程 (mm) Stroke	执行机构尺寸参数 Actuator parameter	Cv	阀座直 径(mm) Seat size	3	6	9	12	3	3	3	6	6	
					供气压力(bar)Air supply									
					2.5	4.0	4.5	5.5	3.0	4.5	6.0	4.5	6.0	
25 1"	20	MF2 $\frac{D}{R}$ -3XX 320cm ² (50in ²)	12.9	24	-	20.3	-	-	-	20.3	126.4	160.0	20.3	126.4
			8.2	19	-	42.5	-	-	-	42.5	160.0	160.0	42.5	160.0
			4.7	16	-	72.3	-	-	-	72.3	160.0	160.0	72.3	160.0
40 1 1/2"	20	MF2 $\frac{D}{R}$ -3XX 320cm ² (50in ²)	31	37	-	-	-	-	-	43.7	88.4	-	43.7	
			21	32	-	2.6	-	-	-	2.6	62.3	122.0	2.6	62.3
			12.9	24	-	20.3	-	-	-	20.3	126.4	160.0	20.3	126.4
50 2"	30	MF2 $\frac{D}{R}$ -5XX 320cm ² (50in ²)	50	48	-	-	-	-	-	21.2	47.7	-	21.2	
			31	37	-	-	-	-	-	43.7	88.4	-	43.7	
			21	32	-	2.6	-	-	-	2.6	62.3	122.0	2.6	62.3
		MF3 $\frac{D}{R}$ -1XX 720cm ² (111in ²)	50	48	-	23.4	40.0	56.6	27.8	87.5	147.2	27.8	87.5	
			31	37	-	47.4	75.3	103.2	54.9	155.4	160.0	54.9	155.4	
			21	32	2.8	65.0	102.3	139.6	74.9	160.0	160.0	74.9	160.0	
80 3"	30	MF2 $\frac{D}{R}$ -5XX 320cm ² (50in ²)	117	73	-	-	-	-	-	4.5	15.9	-	4.5	
			80	62	-	-	-	-	-	9.1	25.0	-	9.1	
			50	48	-	-	-	-	-	21.2	47.7	-	21.2	
		MF3 $\frac{D}{R}$ -1XX 720cm ² (111in ²)	117	73	-	5.4	12.6	19.8	7.3	33.2	59.0	7.3	33.2	
			80	62	-	10.4	20.3	30.3	13.0	48.8	84.6	13.0	48.8	
			50	48	-	23.4	40.0	56.6	27.8	87.5	147.2	27.8	87.5	
100 4"	30	MF2 $\frac{D}{R}$ -5XX 320cm ² (50in ²)	176	90	-	-	-	-	-	-	8.4	-	0.8	
			80	73	-	-	-	-	-	4.5	15.9	-	4.5	
			50	62	-	-	-	-	-	9.1	25.0	-	9.1	
		MF3 $\frac{D}{R}$ -1XX 720cm ² (111in ²)	176	90	-	-	6.2	10.9	2.7	19.7	36.7	2.7	19.7	
			80	73	-	5.4	12.6	19.8	7.3	33.2	59.0	7.3	33.2	
			50	62	-	10.4	20.3	30.3	13.0	48.8	84.6	13.0	48.8	
150 6"	60	MF3 $\frac{D}{R}$ -2XX 720cm ² (111in ²)	445	143	-	-	-	2.4	-	6.3	13.8	-	6.3	
			304	113	-	-	2.1	5.1	-	10.7	21.5	-	10.7	
			176	90	-	-	6.2	10.9	2.7	19.7	36.7	2.7	19.7	
200 8"	60	MF3 $\frac{D}{R}$ -2XX 720cm ² (111in ²)	761	172	-	-	-	-	-	2.6	7.3	-	2.6	
			445	143	-	-	-	2.4	-	6.3	13.8	-	6.3	
			304	113	-	-	2.1	5.1	-	10.7	21.5	-	10.7	
执行机构 MF5 系列 MF5 series actuator					作用型式:气开 弹簧数量 Air to open Spring number				作用型式:气关 弹簧数量 Air to close Spring number					
					4	6	8	4	4	4	6	6	6	
公称通径 DN(mm) Rated size	最大行程 (mm) Stroke	执行机构尺寸参数 Actuator parameter	Cv	阀座直 径(mm) Seat size	供气压力(bar)Air supply									
					3.0	3.5	4.5	3.0	4.0	5.0	3.0	4.0	5.0	6.0
150 6"	60	MF5 $\frac{D}{R}$ -3X 1600cm ² (248in ²)	445	143	3.7	9.3	15.2	9.9	21.1	32.4	7.4	13.0	24.2	35.5
			304	113	7.3	16.2	24.6	17.1	35.1	53.1	13.1	22.1	40.1	58.1
			176	90	14.3	28.3	41.6	29.7	58.1	86.4	23.4	37.6	66.0	94.3
200 8"	60	MF5 $\frac{D}{R}$ -3X 1600cm ² (248in ²)	761	172	-	5.0	8.6	5.4	13.2	21.0	3.6	7.5	15.4	23.2
			445	143	3.7	9.3	15.2	9.9	21.1	32.4	7.4	13.0	24.2	35.5
			304	113	7.3	16.2	24.6	17.1	35.1	53.1	13.1	22.1	40.1	58.1

注:1. 8 根弹簧只用在 MF5R 反作用执行机构中;执行机构型号中 "XX" 的代码详见执行机构样本;

2. 表中数值为最大允许关闭压差。

Note:

1. 8 springs is only used in the actuator of MF5R. The code "XX" of actuator type is detailed in the catalogue of actuator.

2.The number showed in above table is the max. of allowable pressure drops.

表 5.3:配 PEL 系列电动执行机构允许压差(泄漏等级 IV):

Table 5.3 Allowable pressure drops with PEL electric motor (Leakage class IV)

公称通径 Rated size DN (mm)	行程 Stroke(mm)	Cv	阀座直径 Seat size(mm)	允许压差(bar) Allowable pressure drop							
				PEL202	PEL204	PEL206	PEL208	PEL210	PEL212	PEL316	PEL320
25 1"	20	12.9	24	-	-	62.3	91.9	121.5	151.2	-	-
		8.2	19	-	-	62.3	91.9	121.5	151.2	-	-
		4.7	16	-	-	102.0	149.6	-	-	-	-
40 1 1/2"	20	31	37	-	-	24.3	36.7	49.2	61.7	86.6	111.5
		21	32	-	-	33.5	50.0	66.8	83.5	116.8	150.1
		12.9	24	-	-	62.3	91.9	121.5	151.2	-	-
50 2"	20	50	48	-	-	12.3	19.7	27.1	34.5	49.3	64.2
		31	37	-	-	24.3	36.7	49.2	61.7	86.6	111.5
		21	32	-	-	33.5	50.0	66.8	83.5	116.8	150.1
80 3"	30	117	73	-	-	-	7.6	10.8	14.0	20.3	26.7
		80	62	-	-	-	11.0	15.5	19.9	28.8	37.6
		50	48	-	-	-	19.7	27.1	34.5	49.3	64.2
100 4"	30	176	90	-	-	-	3.7	5.8	7.9	12.1	16.3
		80	73	-	-	-	7.6	10.8	14.0	20.3	26.7
		50	62	-	-	-	11.0	15.5	19.9	28.8	37.6
150 6"	60	445	143	-	-	-	-	-	3.2	4.9	6.5
		304	113	-	-	-	-	-	4.4	7.0	9.7
		176	90	-	-	-	-	-	7.9	12.1	16.3
200 8"	60	761	172	-	-	-	-	-	-	2.4	3.6
		445	143	-	-	-	-	-	3.2	4.9	6.5
		304	113	-	-	-	-	-	4.4	7.0	9.7

注:表中数值为最大允许关闭压差。

Note: The number showed in above table is the max. of allowable pressure drops.

表 5.4:配 PEL 系列电动执行机构允许压差(泄漏等级 V):

Table 5.4 Allowable pressure drops with PEL electric motor (Leakage class V)

公称通径 Rated size DN (mm)	行程 Stroke(mm)	Cv	阀座直径 Seat size(mm)	允许压差(bar) Allowable pressure drop							
				PEL202	PEL204	PEL206	PEL208	PEL210	PEL212	PEL316	PEL320
25 1"	20	12.9	24	-	-	-	32.1	61.7	91.4	150.6	-
		8.2	19	-	-	-	32.1	61.7	91.4	150.6	-
		4.7	16	-	-	-	98.0	160.0	-	-	-
40 1 1/2"	20	31	37	-	-	-	3.8	16.2	28.7	53.6	78.5
		21	32	-	-	-	8.2	25.9	42.6	75.9	109.2
		12.9	24	-	-	-	32.1	61.7	91.4	150.6	-
50 2"	20	50	48	-	-	-	-	4.5	11.9	26.7	41.5
		31	37	-	-	-	3.8	16.2	28.7	53.6	78.5
		21	32	-	-	-	8.2	25.9	42.6	75.9	109.2
80 3"	30	117	73	-	-	-	-	-	-	6.9	13.3
		80	62	-	-	-	-	-	3.7	12.6	21.4
		50	48	-	-	-	-	-	11.9	26.7	41.5
100 4"	30	176	90	-	-	-	-	-	-	2.5	6.7
		80	73	-	-	-	-	-	-	6.9	13.3
		50	62	-	-	-	-	-	-	12.6	21.4
150 6"	60	445	143	-	-	-	-	-	-	-	-
		304	113	-	-	-	-	-	-	-	2.4
		176	90	-	-	-	-	-	-	-	6.7
200 8"	60	761	172	-	-	-	-	-	-	-	-
		445	143	-	-	-	-	-	-	-	-
		304	113	-	-	-	-	-	-	-	2.4

注:表中数值为最大允许关闭压差。

Note: The number showed in above table is the max. of allowable pressure drops.

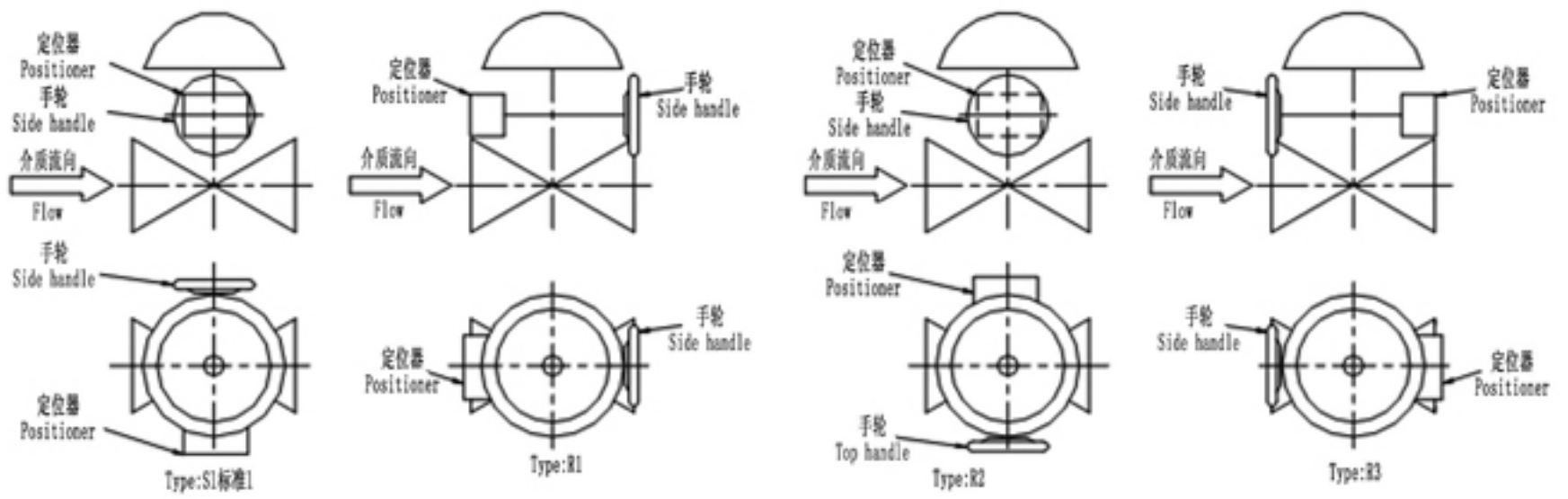
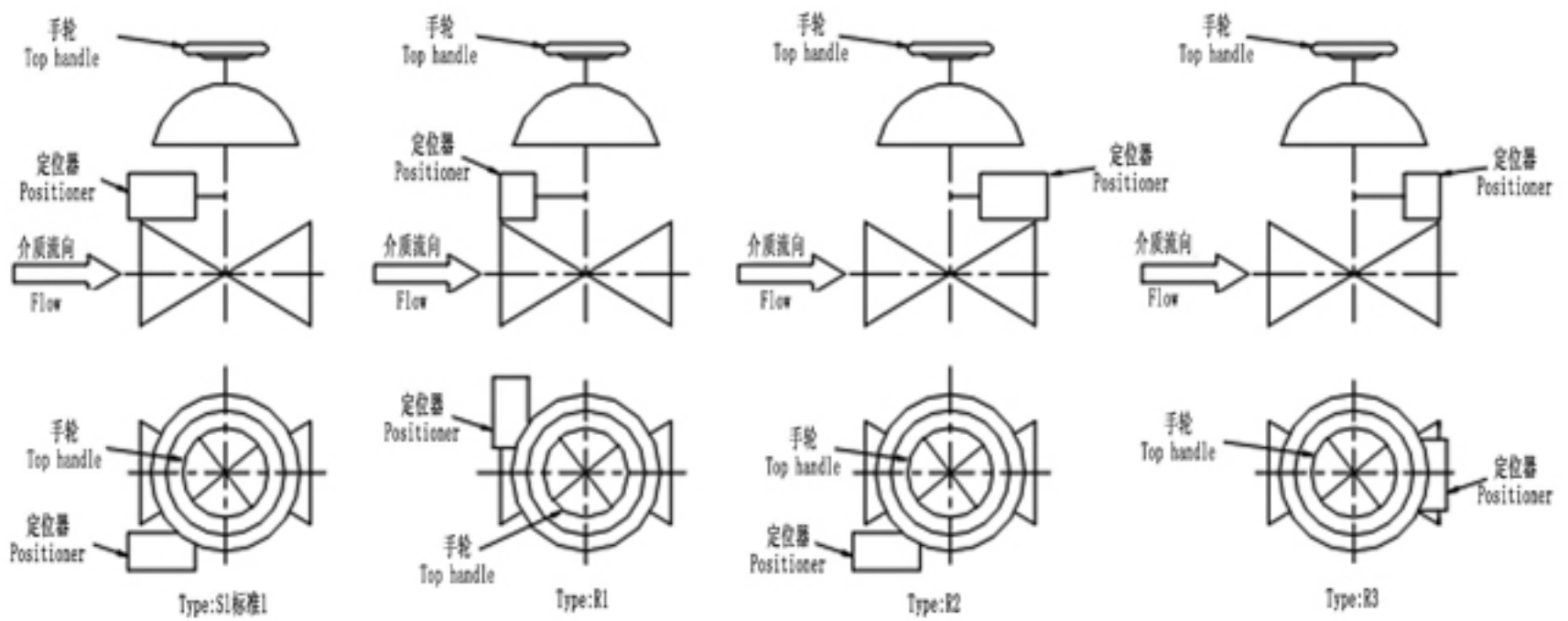
图 6 调节阀安装位置
Fig. 6 MOUNTING FORMS FOR THE CONTROL VALVE
图 6-1 .配 MF2,3 执行机构的安装位置 Fig.6-1. Mounting forms with MF2, 3 actuator

图 6-2 .配 MF5 执行机构的安装位置 Fig.6-2. Mounting forms with MF5 actuator


图 7 外形尺寸图 Fig.6 Outline

图 7-1 DN25 ~ DN200(1" ~ 8")带顶装手轮机构外形图

Figure 7-1 Outline with top handwheel for DN25 ~ DN200(1" ~ 8")

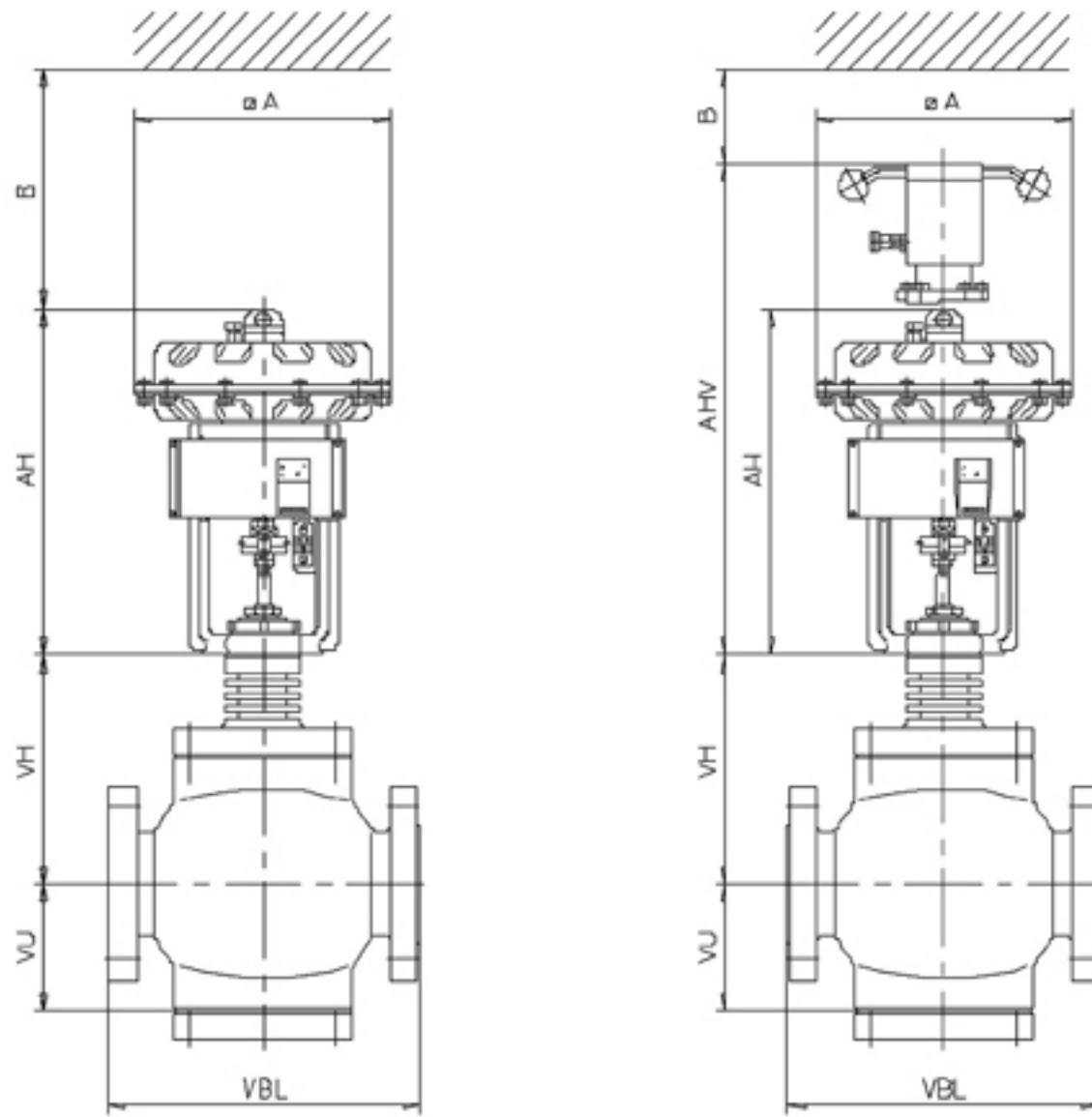


图 7-2 DN25 ~ DN200(1" ~ 8")带侧装手轮机构外形图

Figure 7-2 Outline with side handwheel from DN15 to DN100(1" ~ 8")

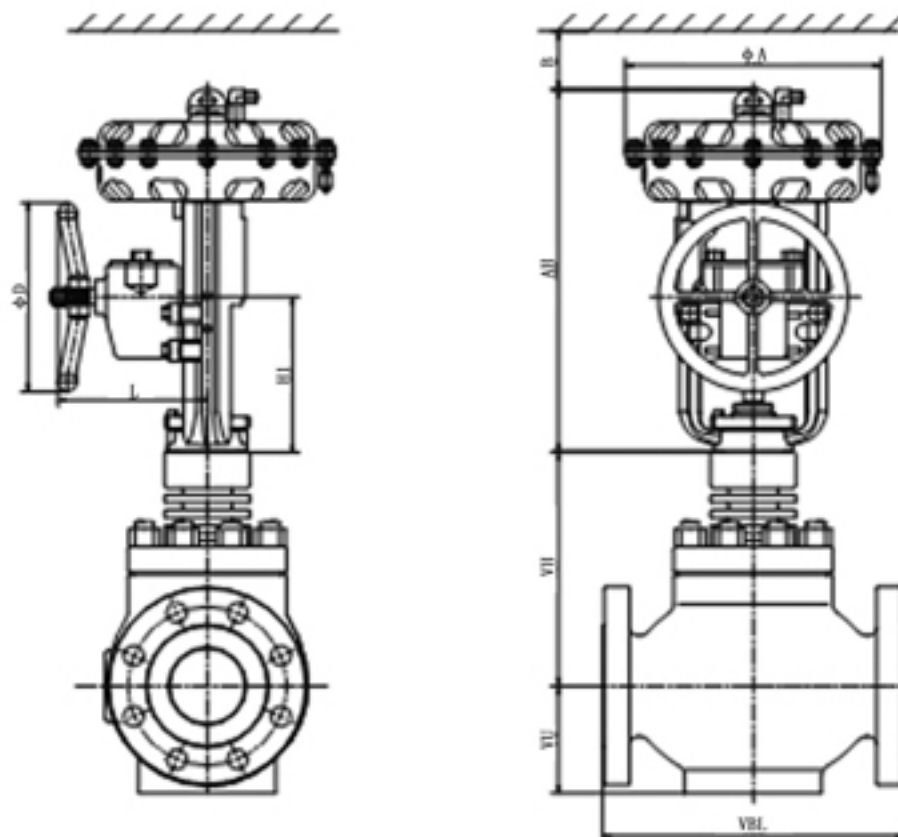


表 6 外形尺寸及重量 Table Outline Size und werght
表 6.1:外形尺寸及重量(配气动执行机构 DN25 ~ DN200,PN63/100/160/250)外形见图 7-1、7-2
Table 6.1: Outline size and weight (with pneumatic actuator DN25 ~ DN200,PN63/100/160/250), see Figure 7-1、7-2 for outline

阀体主要外形尺寸 (mm), 阀体法兰尺寸符合 DIN 2543/2544/2545 ,JB/T79.2 ,HG20592-97, 法兰距符合 DIN 3202-F1。 Main outline sizes (mm), connection sizes of flange comply with DIN 2543/2544/2545 ,B/T79.2 ,HG20592-97, face to face dimintions comply with DIN 3202-F1.										
阀 Valve	DN			25	40	50	80	100	150	200
	VBL	PN63	RF/FM	230	260	300	380	430	550	700
			RJ	243	268	312	380	440	557	710
		PN100	RF/FM	230	260	300	380	430	550	700
			RJ	243	268	316	392	440	557	716
		PN160	RF/FM	230	260 [#] / 272	300 [#] / 320	380	462	550 [#] / 610	700
			RJ	243	281	336	396	472	613	716
	PN250 [#]	RF	260	300	350	450	520	700	800	
	VH	< 300℃		132	159	178	220	255	342	357
		≥ 300℃		167	239	243	300	332	402	447
VU	3 法兰		68	103	113	153	178	228	260	
执行机构 Actuator	φ A	MF2	270							
		MF3						400		
		MF5						630		
	AH	MF2	361							
		MF3						489		
		MF5						840		
	AHV	MF2	508							
		MF3						657		
	φ D	MF2						200		
		MF3						355		
	L	MF2						147.5		
		MF3						240		
	H1	MF2						165(MF2R)或(or)108(MF2D)		
		MF3						226(MF3R)或(or)125(MF3D)		
	B			130		150			200	
重量约为 weight approximately (kg)	MF2	34	42	72	101	136				
	MF3				98	127	162	317	607	
	MF5						460		750	

1、重量: 阀 + 不带手轮的执行机构 weight: valve +actuator without handwheel;

2、带 # 的法兰距是 DIN 标准的法兰距;The face to face dimensions marked with# comply with DIN;

3、DIN 标准只有 RF 法兰密封形式;There is only RF sealing surface in DIN;

4、JB/T79.2、HG20592-97 压力等级只有 PN63、100、160;There only have PN63、100、160for available in standard for JB/T79.

2、HG20592-97

表 6.2:外形尺寸及重量(DN25 ~ DN200,ANSI600/900/1500)外形见图 7-1、7-2

Table 6.2: Outline size and weight (DN25 ~ DN200,ANSI600/900/1500), see Fig. 7-1,7-2 for outline.

阀体主要外形尺寸(mm), 阀体法兰尺寸符合 ANSI class 600/900/1500 ,HG20615-97 PN11.0/15.0/26.0 RF/RTJ。 Main outline sizes(mm), connection sizes of flange comply with ANSI class 600/900/1500 ,HG20615-97 PN11.0/15.0/26.0 RF/RTJ.										
	DN		1"	1 1/2"	2"	3"	4"	6"	8"	
	阀 Valve	VBL Cl. 600	RF	216	241	292	356	432	559	660
RTJ			216	241	295	359	435	562	664	
VBL Cl. 900		RF	254	305	368	381	457	610	737	
		RTJ	254	305	372	384	460	613	740	
VBL Cl. 1500		RF	254	305	368	470	546	705	832	
		RTJ	254	305	372	473	549	711	841	
VH		<300℃	132	159	178	220	255	342	357	
		≥300℃	167	239	243	300	332	402	447	
VU		3 法兰	68	103	113	153	178	228	260	
		4 法兰			174	219	254	314	366	
执行机构 Actuator	φ A	MF2	270							
		MF3				400				
		MF5						630		
	AH	MF2	361							
		MF3				489		625		
		MF5						840		
	AHV	MF2	580							
		MF3				657		888		
	重量约为 weight approximately (kg)	B		130		150			200	
		MF2	34	42	72	101	136			
		MF3				98	127	162	317	607
		MF5						460		750

重量: 阀 + 不带手轮的执行机构。

weight: valve +actuator without handwheel.

图 8 DN25 ~ DN200(1" ~ 8")带 PEL 电动执行机构外形图

Figure 8 Outline with PEL electric motor for DN25 ~ DN200(1" ~ 8")

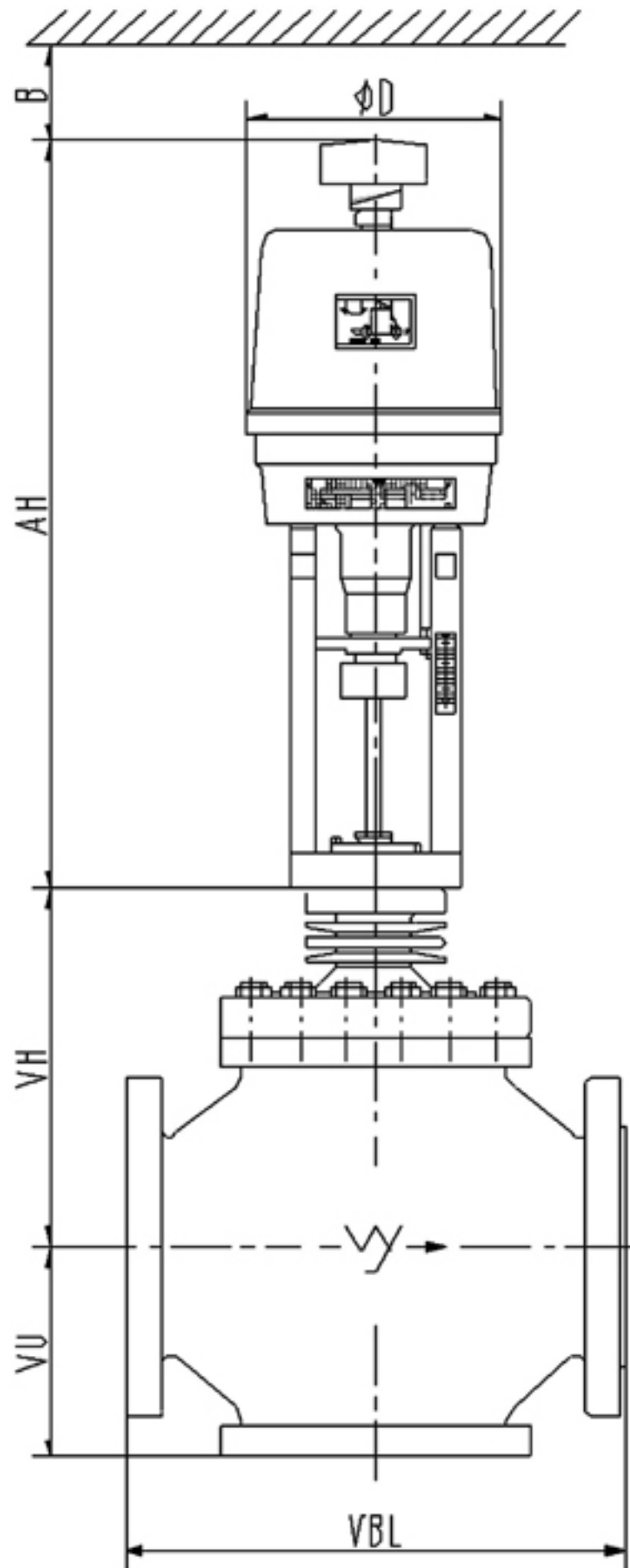


表 7.1: 外形尺寸及重量(配 PEL 电动头 DN25 ~ DN200,PN63/100/160/250)外形见图 7

Table 7.1: Outline size and weight (With PEL Electric Motor DN25 ~ DN200,PN63/100/160/250), see Figure 7 for outline.

阀体主要外形尺寸 (mm), 阀体法兰尺寸符合 DIN 2543/2544/2545 JB/T79.2、HG20592-97, 法兰距符合 DIN 3202-F1。 Main outline sizes (mm), connection sizes of flange comply with DIN 2543/2544/2545 JB/T79.2、HG20592-97, face to face dimensions comply with DIN 3202-F1.										
阀 Valve	DN		25	40	50	80	100	150	200	
	VBL	PN63	RF/FM	230	260	300	380	430	550	700
			RTJ	243	268	312	380	440	557	710
		PN100	RF/FM	230	260	300	380	430	550	700
			RTJ	243	268	316	392	440	557	716
		PN160	RF/FM	230	260 [#] / 272	300 [#] / 320	380	462	550 [#] / 610	700
			RTJ	243	381	336	396	472	613	716
	PN250	RF	260	300	350	450	520	700	800	
	VH	<300℃		132	159	178	220	255	342	357
		≥300℃		167	239	243	300	332	402	447
VU			68	103	113	153	178	228	260	
执行机构 Actuator	φD	PEL2XX 系列	φ 195					-		
		PEL3XX 系列	-	φ 280						
	AH	PEL2XX 系列	570					-		
		PEL3XX 系列	-	-			745	785		
	B	PEL2XX 系列	140					-		
		PEL3XX 系列	-	240						
	weight (kg) approxi- mately	PEL202		-	-	-	-	-	-	-
		PEL204		-	-	-	-	-	-	-
		PEL206		32	40	68	-	-	-	-
		PEL208		36	44	72	101	136	-	-
PEL210		40	48	76	105	140	-	-		
PEL312		42	50	78	107	142	292	582		
PEL316		-	53	81	110	145	295	585		
PEL320		-	56	84	113	148	298	580		

1、重量: 阀 + 不带手轮的执行机构 weight: valve + actuator without handwheel;

2、PEL2XX 系列: PEL202、PEL204、PEL206、PEL208、PEL210; PEL2XX series: PEL202、PEL204、PEL206、PEL208、PEL210;

3、PEL3XX 系列: PEL312、PEL316、PEL320; PEL3XX series: PEL312、PEL316、PEL320;

4、带 # 的法兰距是 DIN 标准的法兰距; The face to face dimensions marked with compy with DIN;

5、DIN 标准只有 RF 法兰密封形式; There only RF sealing Surface in DIN;

6、JB/T79.2、HG20592-97 压力等级只有 PN63、100、160; There only have PN63、100、160 for avialable in standard of JB/T79.2、HG20592-97;

表 7.2: 外形尺寸及重量(配 PEL 电动头 DN25 ~ DN200,ANSI600/900/1500)外形见图 7。
Table 7.2: Outline size and weight (With PEL Electric Motor DN25 ~ DN200,ANSI600/900/1500),see Fig. 7 for outline

阀体主要外形尺寸(mm) , 阀体法兰尺寸符合 ANSI 600/900/1500 ,HG20615-97 PN11.0/15.0/26.0 RF/RTJ。 Main outline sizes(mm), connection sizes of flange comply with ANSI 600/900/1500 ,HG20615-97 PN11.0/15.0/26.0 RF/RTJ.									
阀 Valve	DN		1"	1 1/2"	2"	3"	4"	6"	8"
	VBL Class 600	RF	216	241	292	356	432	559	660
		RTJ	216	241	295	359	435	562	664
	VBL Class 900	RF	254	305	368	381	457	610	737
		RTJ	254	305	372	384	460	613	740
	VBL Class 1500	RF	254	305	368	470	546	705	832
		RTJ	254	305	372	473	549	711	841
	VH	<300℃	132	159	178	220	255	342	357
		≥300℃	167	239	243	300	332	402	447
	VU		68	103	113	153	178	228	260
执行机构 Electric Motor	φD	PEL2XX 系列	φ195						
		PEL3XX 系列				φ280			
	AH	PEL2XX 系列	570						
		PEL3XX 系列				745	785		
	B	PEL2XX 系列	140						
		PEL3XX 系列				240			
	weight (kg) approx- imately	PEL202							
		PEL204							
		PEL206	32	40	68				
		PEL208	36	44	72	101	136		
		PEL210	40	48	76	105	140		
		PEL212	42	50	78	107	142	292	582
		PEL316			53	81	110	145	295
PEL320				56	84	113	148	298	580

重量: 阀 + PEL 执行机构,

Weight: valve+PEL electric motor. SW is applicable to the valves up to DN 50(2"), BW is to others.

PEL2XX 系列: PEL202、PEL204、PEL206、PEL208、PEL210

PEL2XX SERIES:PEL202、PEL204、PEL206、PEL208、PEL210

PEL3XX 系列: PEL312、PEL316、PEL320

PEL3XX Series:PEL312、PEL316、PEL320

附表一 APS 单座调节阀型号编制说明



阀体组件

执行机构

一、阀体组件

1 编码	公称口径 INCH mm
24	2 50
26	3 80
27	4 100
29	6 150
30	8 200

4 编码	额定 Cv	5 编码	额定 Cv
g5	21	h2	31
i5	50	j7	80
47	117	51	176
55	304	56	445
58	761		

9 编码	填料
3	Graphit with Inconel
5	Graphit
6	Graphit+PTFE

12 编码	阀芯及处理
0	不处理
1	HT
X	特殊要求

2 编码	公称压力
07	JB/79.2-94 PN6.3
08	JB/79.2-94 PN10
09	JB/79.2-94 PN16
43	ANSI600
44	ANSI900
45	ANSI1500
77	HG20592 PN6.3
78	HG20592 PN10
79	HG20592 PN16
86	DIN2546 PN6.3
87	DIN2547 PN10
88	DIN2548 PN16
89	DIN2549 PN25
X	特殊规格

5 编码	流量特性
L	线性
%	等百分比
QS	快开

10 编码	阀体材质
03	WCB
04	CF8M
05	CF8
30	A217 WC6
31	A217 WC9
32	A217-C5
55	CF3M
L9	CF3
X	其它材质

13 编码	阀座及处理
0	不处理
1	HT
X	特殊要求

6 编码	阀内组件 温度范围
1	-46℃~300℃
3	300℃~530℃

14 编码	特殊要求
e	禁油
b	禁铜
c	禁水
d	禁硫
X	其它要求

7 编码	上阀盖温度范围
A	-46℃~200℃
C	300℃~530℃
X	特殊规格

11 编码	阀体材质
04	316
05	304
06	410
07	420
28	440B
55	316L
L9	304L
39	304+ST
40	316+ST
X	其它材质

3 编码	连接形式 法兰形状
1	RF
2	FM
4	RTJ
5	SW
6	BW
7	LG
X	特殊规格

8 编码	泄漏等级
IV	ANSI B16.104IV
V	ANSI B16.104V

二、执行机构

见执行机构代码表。

银星能源·吴忠仪表 YINXING ENERGY·WUZHONG INSTRUMENT 调节阀数据表 SPECIFICATION FOR CONTROL VALVE		项目名称 PROJECT	
		合同号 CONT.NO	
		装置名称 DEVICE	
概 况 GENERAL	第 1 / 1 页 Sheet 1 of 1		型 式 Type ECOTROL 系列 型 号 Mode No. APS 公称通径 Body Size (DN) 公司提供 阀座直径 Ports Size(dN) 公司提供 额定 CV 值 Valve CV 公司提供 公称压力 Rating 公司提供 法兰型式 Connect 公司提供
	位 号 TAG No	用户提供	
	数 量 Quantity	用户提供	
	管道编号 P & ID No	用户提供	
	管道规格 Line Size	用户提供	
	管道材质 Line Material	用户提供	
	用 途 Server	用户提供	
操作条件及结果 OPERATION AND RESULT	流体名称 Fluid Name	用户提供	阀体组件 BODY 阀体 Body 公司提供 阀芯 Plug 公司提供 阀座 Seat 公司提供 阀杆 Stem 公司提供 泄漏等级 Leakage Class 公司提供 流量特性 Characteristic 公司提供 上盖型式 Bonnet Type 公司提供 填 料 Packing 公司提供 作用型式 Action 公司提供
	流体状态 Fluid State	用户提供	
		最大 Max 正常 Nor 最小 Min	
	操作温度 Operation Temp (°C)	用户提供	
	流量单位 Flow Rate Unit	用户提供	
	流 量 Flow Rate	用户提供	
	压力单位 Pressure Unit	MPa(A)	
	阀前压力 Input Pressure	用户提供	
	阀后压力 Outlet Pressure	用户提供	
	压 差 Different Pressure	系统生成	
	关闭压力 Shut off Pressure	用户提供	
	比 重 SP.Gr.	用户提供	
	操作密度 Opera Density(Kg/m ³)	用户提供	
	标准密度 ST Density (Kg/m ³)	用户提供	
	气体分子量 M.W	系统生成	
	动力粘度 Dynamic Viscosity(CP)	用户提供	
	压力恢复系数 FL	系统生成	
	汽化压力 Vapor Pressure	系统生成	
	临界压力 Critical Pressure	系统生成	
	气源故障时阀位 Position Of Air Fail	关(FC)	
	计算 CV 值 Calculate CV	系统生成	
	开 度 Travel(%)	系统生成	
	噪 音 Noise Level (dB)	系统生成	
特殊需求 SEPCIAL REQUIREMENTS	特殊检查 Sepcial Inspection	用户提供	执行机构 ACTUATOR 型 式 Type 公司提供 型 号 Mode No 公司提供 行 程 Travel(mm) 公司提供 供气压力 Air Supply (MPa) 公司提供 弹簧范围 Spring (MPa) 公司提供 电 压 Voltage 公司提供 输入信号 Input Signal 公司提供 手轮机构 Hand Wheel 公司提供 关闭压差 Shut Off DP (Mpa) 公司提供
	禁铜处理 Forbidding Copper Treatment	用户提供	
	指定色涂层 Specified Painting Coat	用户提供	
	除油除水处理 Removing Oil and Water	用户提供	
	热寒带地区 Used in Tropic or Frigid Zone	用户提供	定位器 POSITIONER 型 号 Mode No 公司提供 供气压力 Air Supply (MPa) 公司提供 输入信号 Input Signal 公司提供 防爆等级 EXP.Class 公司提供 气源接口 Air Input Connect 公司提供 电气接口 Electric.Connect 公司提供
	防沙防尘型 Preventing Sand and Dust	用户提供	
	防强腐蚀型 High-crodent substance Proof	用户提供	
	动作频次高 High frequent Action	用户提供	
开启关闭时间 Open/Close Time	用户提供		
备注 REMARKED			电磁阀 SOLENOID 型 号 Mode No 公司提供 电 压 Voltage 公司提供 气源接口 Air Input Connect 公司提供 减压阀 AIR SET 公司提供
			外形尺寸 DIMENSIONS

50年控制阀制造经验
QUALITY SINCE 1959

宁夏吴忠仪表公司
Ningxia Wuzhong Instrument Co., LTD.
地址：宁夏吴忠市朝阳街67号 邮编：751100
Tel:0953-3929024 Fax:3929014
[http:// www.wzyb.com.cn](http://www.wzyb.com.cn)