

510D 高压多级降压式套筒导向型调节阀

High-Pressure Multi-Stage Cage Guided Globe Valves

概 要

510D 系列调节阀采用了多级降压式套筒，完全控制了流经阀内件的流体流速，故可大幅度降低高压差气体或蒸汽所产生的噪音，也可有效防止液体产生气蚀现象，是一种无气蚀损伤、低噪音、控制流体稳定的经济型调节阀。

GENERAL

The Series 510D valves are engineered specifically for critical anti-cavitation and low noise applications on liquids, gases or steam. Multi-stage cage controls flowing velocities in the valve trim by forcing the process fluid to follow a tortuous path of right-angle turns. The resistance to flow provided by these turns reduces fluid velocities significantly. Therefore, a vena contracta is never formed in the trim and noise and cavitation are stopped before they can start.

标准规格 STANDARD SPECIFICATIONS

本体部 BODY

形 式 Type	流体压力平衡型阀芯	Pressure balanced plug type
公称通径 Body size	1"~18" (25A~450A 即 DN25~DN450)	
阀芯形状 Plug form	流体压力平衡型阀芯	Pressure balanced plug type
流量特性 Characteristics	线性、改良线性、改良等百分比	Linear , Modified Linear , Modified EQ%
阀内件材质 Trim materials 阀内件处理 Trim treatment	标准材质组合及使用温度，请参见表 1。 See Tables 1 for hardening treatment and operating temperature.	
公称压力 Body rating	ANSI Class 900、1500、2500	
连接方式 Body connections	法兰型 (RF、RTJ)，焊接型 (SW、BW) Flanged (RF、RTJ)，Weld ends (SW、BW)	
法 兰 距 Face to Face dimension	请参见第 30~39 页。 See pages 30~39.	
阀 体 及 上阀盖材质 Body & Bonnet Material	SCPH2/WCB, SCPH21/WC6, SCPH32/WC9, SCPL1/LCB, SCS13A/CF8, SCS14A /CF8M 各种材质的使用温度·压力范围，请参见表 1，表 2。 As to the operating pressure-temperature limitation for each material, see Tables 1 and 2.	
上阀盖形式 Bonnet type	标准型 Standard type : -17~+230℃ 散热片型 Fin-Extension type : -45~-17℃或者超过 230℃ 的场合 -45~under -17℃ or over +230℃ 加长型 Long-Extension type : -196~-45℃ 但必须注意各材质的使用温度·压力范围。 Note : The allowable operating pressure-temperature limitation for each material.	
填 料 Packing	聚四氟乙烯碳纤维、柔性石墨。 各种填料的使用温度·压力范围，请参见图 3。 Teflon carbon fiber, Grafoil, See Fig. 3 for selection.	
垫 圈 Gasket	缠绕式垫圈 (聚四氟乙烯 / SUS316、柔性石墨 / SUS316) 各种垫圈的使用温度·压力范围，请参见图 4。 Spiral wound metal, with Grafoil or Teflon filler. See Fig. 4 for selection.	
表面涂层色 Painting color	银灰色 (环氧树脂)。但是阀体材质为不锈钢时，本体部不加涂层。 Munsell N-6 (Epoxy resin group) is standard. In the case of stainless steel body, no painting is standard.	

执行机构 ACTUATOR

规格 Specification	型号 Type	气动薄膜式 Diaphragm type	气缸式 Pneumatic Cylinder type
		5200LA	6300LA
		多弹簧型 Multi-spring type	双动作型 Double acting type
用途 Purpose		调节 Modulation	调节、开关 Modulation or On-off
供气压力 (弹簧范围) Air supply (Spring range)		300 (80~200) KPa G	300~500 KPa G
接口 Connection		Rc1/4, Rc3/8 (φ 650)	Rc3/8(气缸尺寸 Cylinder size : 200), Rc1/2(300, 450), Rc3/4(600)
正作用 Direct action		气压增加阀闭 Air to valve shut	随输入定位器信号增加阀开或阀闭。 Valve open or shut by air or electric signal.
反作用 Reverse action		气压增加阀开 Air to valve open	
滞后 Hysteresis		≤1% FS (带定位器) ≤1% of FS with positioner	≤1% FS (带定位器) ≤1% of FS with positioner
直线性 Linearity		≤±2% FS (带定位器) ≤±2% of FS with positioner	≤±2% FS (带定位器) ≤±2% of FS with positioner
允许环境温度 Ambient Temp.		标准型 Standard type-10~+70℃ 高温型 High Temp.service0~+100℃ 低温型 Low Temp. service-40~+40℃	标准型 Standard type-20~+60℃ 高温型 High Temp.service0~+100℃ 低温型 Low Temp. service-50~+60℃
标准涂层色 Painting		银色环氧树脂 Munsell : N-6	银色环氧树脂 Munsell : N-6
选购设备 Option	E/P·P/P 定位器、过滤减压阀、电磁阀、限位开关、调速器、锁止阀、手动操作机构。 E/P·P/P-Positioner, Air-set, Solenoid valve, Limit switch, Speed controller, Lock valve, Lock-up valve, Manual handle, etc.		

性能 PERFORMANCE

额定 Cv 值 Rated Cv	请参见表 3。	See Table 3.
流量特性 Flow characteristics	线性、改良线性、改良等百分比	Linear, Mod. Linear, Mod. EQ%
可调比 R Rangeability	请参见表 3。	See Table 3.
阀座泄漏量 Seat Leakage	请参见表 1。	See Table 1.
允许压差 Allowable pressure drops	请参见表 4。	See Table 4.

特殊规格 (有償) OPTIONAL SPECIAL SPECIFICATIONS (Additional cost is required)

本体部特殊检查 Special testing for body	材料检查 {液体渗透透伤检查 (PT)、放射线检查 (RT)}、流量特性检查、低温试验、蒸汽试验 Material certificate, Liquid penetrant testing, Radiographic testing, Flow characteristic testing, Low temperature testing, Steam testing.
本体部特殊清洗 Special cleaning for body	完全禁油、除水处理 Oxygen clean, Oil-free, Water-free
本体部及执行机构特殊规格 Special specification for body and actuator	防砂、防尘型、防盐腐蚀型、寒冷地区用、热带地区用、无铜处理、特殊空气配管及特殊气接头、真空工作条件用、接触大气部分的螺栓、螺母采用不锈钢、指定涂层色 Sand and Dust proof, Salty environment proof, Cold area proof, Tropical area proof, Copper-free alloy, Special piping and fitting, Vacuum service proof, SUS bolt and nut for exposed parts, Non-standard painting.
认证 Authorization	获得高压气体认定法的认定 Japanese government authorization for high pressure gas.

表 1 阀体、阀内件材质组合及使用温度范围·阀座允许泄漏量

Table 1 BODY/TRIM STANDARD MATERIAL COMBINATION, OPERATING TEMPERATURE AND SEAT LEAKAGE.

当阀座泄漏率要达到 ANSI CLASS V 时, 请与 KOSO 确认。

When ANSI CLASS V for seat leakage is required, please consult us.

- R.TFE : 强化聚四氟乙烯 Reinforced Teflon
- Hcr : 镀硬铬 Hard chrome plated
- HT : 热处理 Heat treatment
- SS : 部分堆焊司太莱合金 Stellite seat surface
- SF : 全部堆焊司太莱合金 Stellite full surface

表 1-1 阀体材质: 碳钢

Table 1-1 BODY MATERIAL : CARBON STEEL

阀体材质	Body material	SCPH2/A216-WCB, SCPH21/A217-WC6, SCPH32/A217-WC9, SCPL1/A352-LCB				
多级降压式套筒 Multi-stage Cage	材质 Material	410SS	410SS	410SS	718 Inconel	
	处理 Treatment	HT	HT	HT	HT	
阀芯 Plug	材质 Material	SUS410	SUS410	SUS410	A182-F11	
	处理 Treatment	HT	HT	HT	SF	
阀座 Seat ring	材质 Material	SUS316	SUS410	SUS410	A182-F11	
	处理 Treatment	R.TFE	HT	HT	SF	
平衡密封环 Balance seal	材质 Material	R.TFE	R.TFE	柔性石墨 Grafoil	柔性石墨 Grafoil	
	垫环 Back ring	SUS316	SUS316	—	—	
垫圈 Gasket	材质 Material	T/#1806GR	T/#1806GR	T/#1806GR	T/#1806GR	
阀座允许泄漏量 Seat Leakage	ANSI	Class VI	Class IV	Class IV	Class IV	
	Rated Cv×	微气泡级 bubble-tight	0.01%	0.01%	0.01%	
使用温度 Operating temperature °C	SCPH2/WCB body	-5~+200	-5~+230	-5~+425	-5~+425	
	SCPH21/WC6 body	-5~+200	-5~+230	-5~+425	-5~+565	
	SCPH32/WC9 body	-5~+200	-5~+230	-5~+425	-5~+565	
	SCPL1/LCB body	-45~+200	-45~+230	-45~+350	—	

表 1-2 阀体材质: 不锈钢

Table 1-2 BODY MATERIAL : STAINLESS STEEL

阀体材质	Body material	SCS13A/A351-CF8, SCS14A/A351-CF8M				
多级降压式套筒 Multi-stage Cage	材质 Material	SUS316	SUS316	SUS316	SUS316	SUS316
	处理 Treatment	—	—	—	—	—
阀芯 Plug	材质 Material	SUS316	SUS316	SUS316	SUS316	SUS316
	处理 Treatment	Hcr	Hcr+SS	SF	Hcr+SS	SF
阀座 Seat ring	材质 Material	SUS316	SUS316	SUS316	SUS316	SUS316
	处理 Treatment	R.TFE	SS	SF	SS	SF
平衡密封环 Balance seal	材质 Material	R.TFE	R.TFE*①	R.TFE*①	柔性石墨 Grafoil	柔性石墨 Grafoil
	垫环 Back ring	SUS316	SUS316	SUS316	—	—
垫圈 Gasket	材质 Material	T/#1806GR /T/#9090	T/#1806GR /T/#9090	T/#1806GR /T/#9090	T/#1806GR	T/#1806GR
阀座允许泄漏量 Seat Leakage	ANSI	Class VI	Class IV	Class IV	Class IV	Class IV
	Rated Cv×	微气泡级 bubble-tight	0.01%	0.01%	0.01%	0.01%
使用温度 Operating Temp. °C		-75~+200	-196~+230	-196~+230	-196~+565	-196~+565

*①流体温度在-75℃以下的场合, 平衡密封环的材质: Fluoroloy G; 垫环材质: Elgiloy。

When the fluid temperature is below -75℃, the materials for the balance seal and the back ring will be Fluoroloy G and Elgiloy, respectively.

表 2 阀体材质的使用温度·压力范围

Table 2 BODY MATERIAL/OPERATING PRESSURE-TEMPERATURE RATING

UNIT : MPa G

温 度 Temp. ℃	ANSI Class 900						ANSI Class 1500						ANSI Class 2500					
	SCPL1	SCPH2	SCPH21	SCPH32	SCS13A	SCS14A	SCPL1	SCPH2	SCPH21	SCPH32	SCS13A	SCS14A	SCPL1	SCPH2	SCPH21	SCPH32	SCS13A	SCS14A
	A105	F11	F22	F304	F316		A105	F11	F22	F304	F316		A105	F11	F22	F304	F316	
	LCB	WCB	WC6	WC9	CF8	CF8M	LCB	WCB	WC6	WC9	CF8	CF8M	LCB	WCB	WC6	WC9	CF8	CF8M
-196~38	—	—	—	—	14.88	14.88	—	—	—	—	24.79	24.79	—	—	—	—	41.33	41.34
-45~38	14.35	—	—	—	14.88	14.88	23.92	—	—	—	24.79	24.79	39.87	—	—	—	41.33	41.34
-5~38	14.35	15.31	15.50	15.50	14.88	14.88	23.92	25.51	25.84	25.84	24.79	24.79	39.87	42.52	43.07	43.07	41.33	41.34
50	14.18	15.01	15.33	15.35	14.34	14.43	23.64	25.02	25.55	25.58	23.90	24.04	39.40	41.70	42.59	42.64	39.84	40.07
100	13.52	13.90	14.62	14.70	12.25	12.65	22.53	23.16	24.36	24.50	20.42	21.09	37.56	38.62	40.61	40.85	34.01	35.14
150	13.18	13.56	13.90	13.98	10.89	11.54	21.96	22.60	23.18	23.30	18.16	19.24	36.60	37.66	38.61	38.84	30.26	32.07
200	12.79	13.14	13.63	13.45	9.82	10.69	21.32	21.89	22.73	22.40	16.37	17.83	35.53	36.50	37.88	37.35	27.28	29.71
250	12.17	12.51	13.33	13.26	9.15	10.02	20.28	20.84	22.22	22.10	15.26	16.68	33.80	34.75	37.03	36.83	25.43	27.80
300	11.30	11.61	12.72	12.72	8.71	9.49	18.84	19.36	21.20	21.20	14.52	15.80	31.40	32.26	35.33	35.33	24.20	26.34
350	10.78	11.08	12.06	12.06	8.42	9.12	17.96	18.46	20.11	20.11	14.02	15.20	29.95	30.78	33.51	33.51	23.36	25.36
375		10.94	11.63	11.63	8.32	8.91		18.22	19.38	19.38	13.86	14.84		30.37	32.32	32.32	23.12	24.74
400		10.34	10.98	10.98	8.23	8.72		17.24	18.28	18.28	13.72	14.55		28.73	30.47	30.47	22.87	24.25
425		8.62	10.53	10.53	8.14	8.59		14.37	17.54	17.54	13.57	14.32		23.94	29.23	29.23	22.63	23.87
450		6.01	10.13	10.13	8.06	8.42		10.02	16.89	16.89	13.42	14.03		16.68	28.16	28.16	22.37	23.38
475		4.06	9.50	9.50	7.97	8.20		6.76	15.82	15.82	13.27	13.67		11.28	26.36	26.36	22.13	22.79
500			8.33	8.33	7.81	8.05			13.89	13.89	13.02	13.40			23.15	23.15	21.71	22.34
525			6.08	6.58	7.15	7.73			10.12	10.96	11.94	12.89			16.88	18.26	19.88	21.47
550			3.83	4.91	6.54	7.49			6.38	8.17	10.91	12.48			10.63	13.63	18.17	20.79
575			2.55	3.51	6.02	7.22			4.24	5.85	10.04	12.04			7.08	9.74	16.72	20.07
600			1.75	2.29	5.01	6.43			2.94	3.82	8.35	10.71			4.90	6.36	13.92	17.85
625					3.92	5.48					6.54	9.12					10.89	15.20
650					3.16	4.23					5.25	7.06					8.75	11.76
675					2.33	3.78					3.88	6.31					6.45	10.53

图 1 软阀座使用温度·压力范围

Fig. 1 SOFT SEAT OPERATING PRESSURE-TEMPERATURE RATINGS

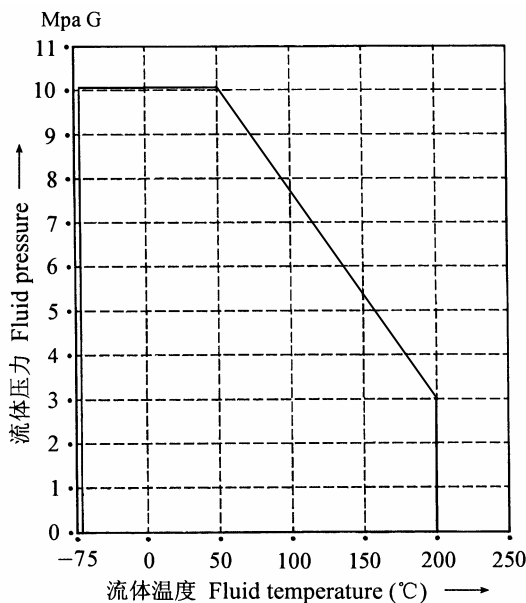


图 2 平衡密封环使用温度·压力范围

Fig. 2 BALANCE SEAL OPERATING PRESSURE-TEMPERATURE RATINGS

图 2-1 R.TFE/SUS316

Fig. 2-1 R.TFE/SUS316

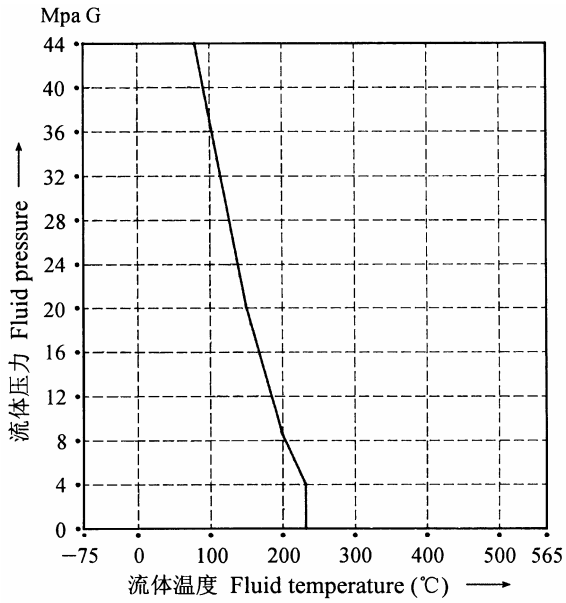


图 2-2 柔性石墨

Fig. 2-2 GRAFOIL

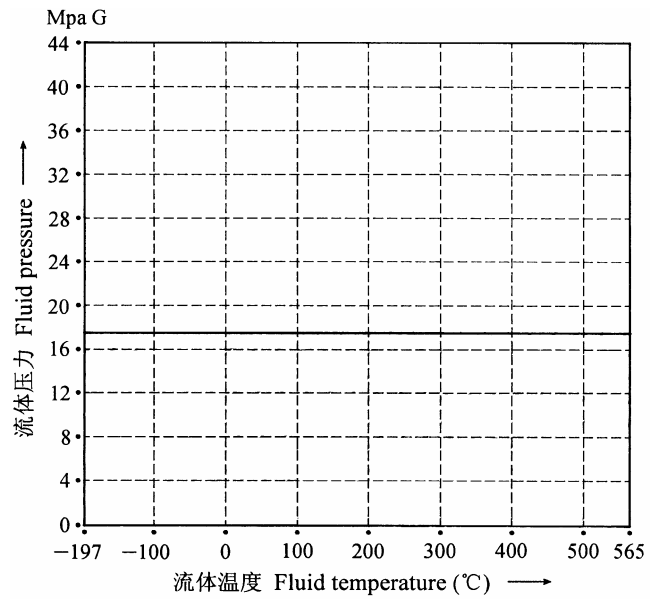


图 2-3 FLUOROLOY G/ELGILOY

Fig. 2-3 FLUOROLOY G/ELGILOY

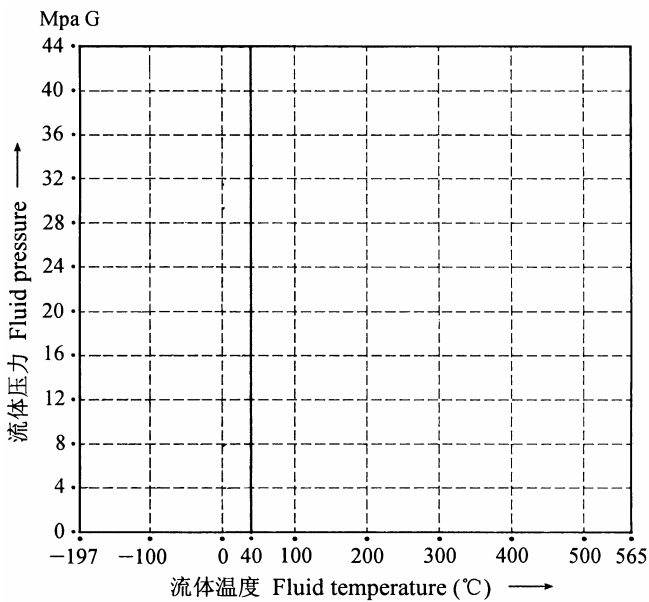


图 3 填料使用温度·压力范围

Fig. 3 GLAND PACKING PRESSURE-TEMPERATURE RATINGS

图 3-1 聚四氟乙烯碳纤维 (P6528+P4519)

Fig. 3-1 TEFLON CARBON FIBER

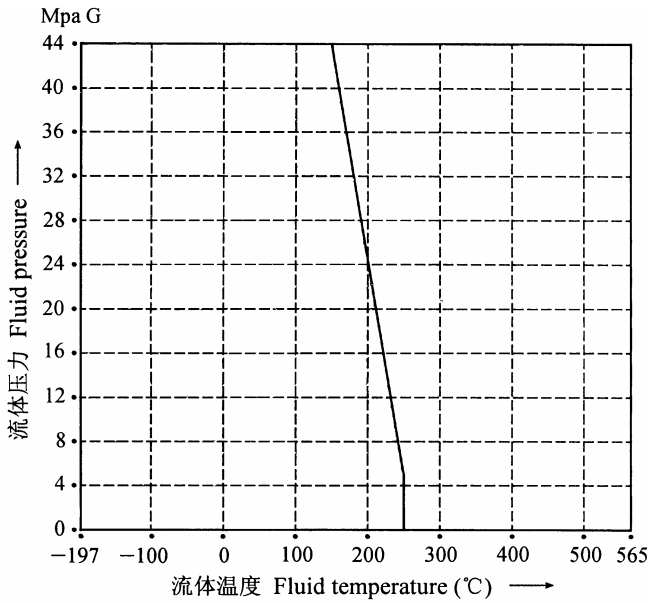


图 3-2 柔性石墨 Fig. 3-2 GRAFOIL

P6710CL+P6610CL (-196°C~400°C)
P6710CH+P6610CH(-196°C~565°C)

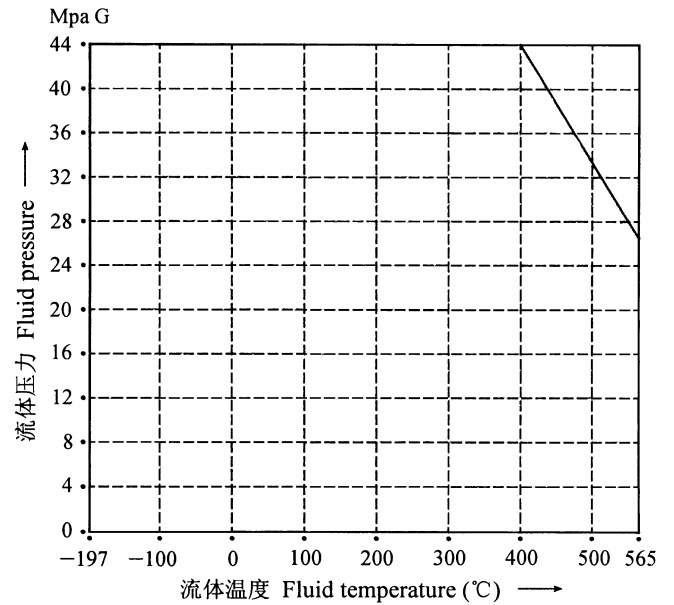


图 4 垫圈使用温度·压力范围

Fig. 4 GASKET OPERATING PRESSURE-TEMPERATURE RATINGS

图 4-1 柔性石墨 / SUS316 (T/#1806GR)

Fig. 4-1 GRAFOIL/SUS316

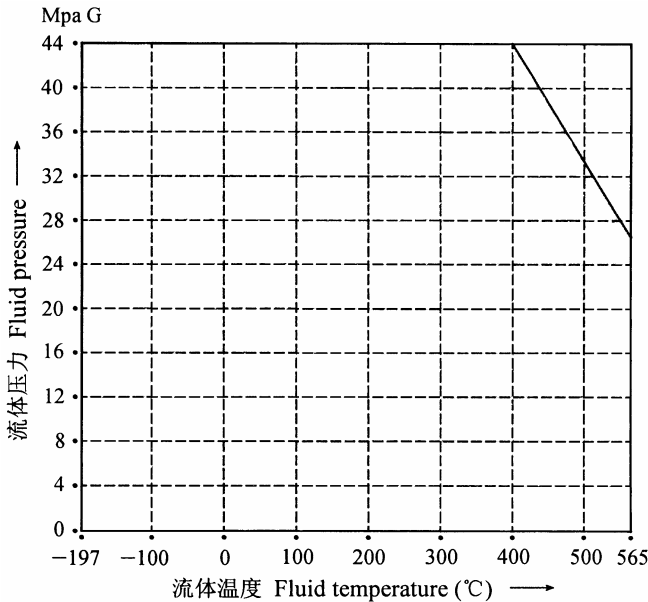


图 4-2 聚四氟乙烯 / SUS316 (T/#9090)

Fig. 4-2 TEFLON/SUS316

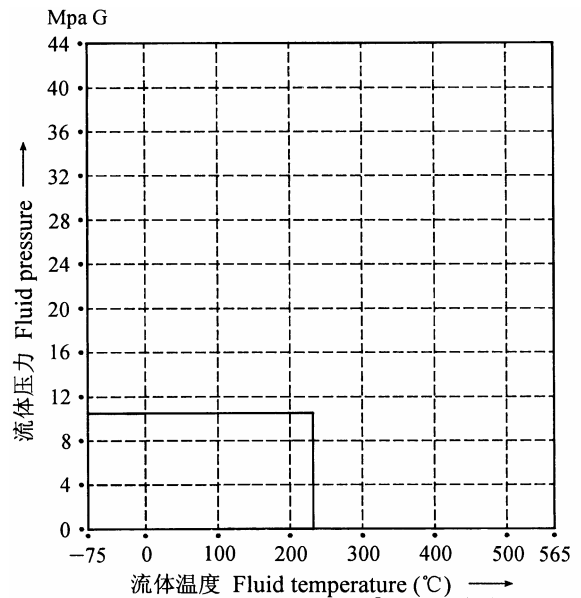


表 3 额定 Cv 及行程

Table 3 Cv VALUE AND STROKE

表 3-1A 公称压力 ANSI Class 900、1500

多级降压式套筒的降压级数：1~24 级；多级降压式套筒的材质：410SS & INCONEL

Table 3-1A BODY RATING ANSI Class 900、1500

Multi-stage Cage Pressure Drop Levels : 1~24 Levels ; Multi-stage Cage Material : 410SS & INCONEL

公称通径 Valve size inch (mm)	阀芯尺寸 Plug size inch (mm)	行程 Stroke mm	最小可控 Min.Cv	流向：高进低出 Flow direction : Over Plug Flow														
				1 lev	2 lev	4 lev	6 lev	8 lev	10 lev	12 lev	14 lev	16 lev	18 lev	20 lev	22 lev	24 lev		
				1 (25)	5/8 (16)	Standard 12	0.10	4.8	4.0	3.1	2.6	1.9	—					
		Standard 20	4.8	4.8	4.5	3.9		3.0	—									
	1/2 (15)	Standard 12	0.04	2.3	2.1	1.7	1.4	1.2	1.0									
				Standard 20	2.3	2.3	2.3	2.1	1.8	1.6								
1.5 (40)	1 (25)	Standard 20	0.28	15.5	10.5	8.1	7.2	4.9	—	—								
		Standard 30		15.5	13.8	11.1	10.0	7.1	—	—								
		Standard 40		15.5	15.5	13.5	12.3	9.0	—	—								
	5/8 (16)	Standard 20	0.10	4.8	4.8	4.1	3.9	3.0	2.9	2.5								
		Standard 30		4.8	4.8	4.8	4.8	4.0	3.9	3.4								
		Standard 40		4.8	4.8	4.8	4.8	4.7	4.6	4.2								
2 (50)	1.25 (32)	Standard 25	0.36	26.5	16.2	13.1	11.4	8.1	—	—	—	—						
		Standard 30		26.5	18.6	15.3	13.4	9.6	—	—	—	—						
		Standard 40		26.5	22.7	19.1	16.9	12.4	—	—	—	—						
	1 (25)	Standard 25	0.28	15.5	13.8	11.1	9.3	7.2	6.2	—	—	—						
		Standard 30		15.5	15.3	12.6	10.7	8.4	7.2	—	—	—						
		Standard 40		15.5	15.5	14.9	13.0	10.5	9.2	—	—	—						
	5/8 (16)	Standard 25	0.10	4.8	4.8	4.8	4.5	3.5	3.5	3.0	2.1	1.8						
		Standard 30		4.8	4.8	4.8	4.8	4.0	3.9	3.4	2.5	2.2						
		Standard 40		4.8	4.8	4.8	4.8	4.7	4.6	4.2	3.1	2.8						
3 (80)	2 (50)	Standard 30	0.94	60.7	30.7	24.0	20.3	15.9	13.5	—	—	—	—	—	—	—	—	
		Standard 40		65.8	39.1	31.0	26.4	20.6	17.6	—	—	—	—	—	—	—	—	
		Standard 50		65.8	46.4	37.4	32.0	25.2	21.5	—	—	—	—	—	—	—	—	
	1.5 (40)	Standard 30	0.64	42.1	28.4	22.7	19.4	14.5	13.0	10.2	7.2	5.9	—	—				
		Standard 40		42.1	34.7	28.6	24.7	18.8	16.9	13.3	9.4	7.6	—	—				
		Standard 50		42.1	39.7	33.5	29.4	22.7	20.5	16.2	11.5	9.4	—	—				
	1 (25)	Standard 30	0.28	15.5	15.3	12.6	10.7	9.0	7.8	7.0	4.9	4.5	4.5	3.3				
		Standard 40		15.5	15.5	14.9	13.0	11.2	9.8	8.9	6.3	5.9	5.8	4.3				
		Standard 50		15.5	15.5	15.5	14.8	13.0	11.6	10.6	7.7	7.1	7.1	5.2				
4 (100)	2.5 (65)	Standard 40	1.36	93.5	49.3	38.4	32.3	25.4	23.3	18.5	13.5	—	—	—	—	—	—	
		Standard 50		96.9	59.3	46.6	39.4	31.1	28.6	22.7	16.5	—	—	—	—	—	—	
		Standard 60		96.9	68.2	54.4	46.3	36.7	33.7	26.8	19.5	—	—	—	—	—	—	
		Standard 70		96.9	76.1	61.6	52.7	42.0	38.7	30.8	22.5	—	—	—	—	—	—	
	2 (50)	Standard 40	0.94	65.8	45.7	36.4	30.9	24.5	22.6	17.1	13.1	10.4	9.1	—	—	—	—	
		Standard 50		65.8	53.4	43.5	37.3	29.8	27.5	20.9	16.0	12.8	11.2	—	—	—	—	
		Standard 60		65.8	59.8	49.7	43.2	34.9	32.3	24.7	18.9	15.1	13.2	—	—	—	—	
		Standard 70		65.8	65.1	55.1	48.4	39.6	36.7	28.3	21.8	17.4	15.2	—	—	—	—	
	1.25 (32)	Standard 40	0.36	26.5	26.6	22.0	18.7	15.0	13.6	11.8	8.6	8.1	7.2	6.7	5.6	3.6		
		Standard 50		26.5	26.5	25.2	21.9	17.9	16.4	14.3	10.5	9.9	8.9	8.3	6.8	4.3		
		Standard 60		26.5	26.5	26.5	24.4	20.4	18.8	16.6	12.3	11.6	10.4	9.7	8.1	5.1		
		Standard 70		26.5	26.5	26.5	26.5	22.6	21.0	18.7	14.0	13.3	12.0	11.2	9.3	5.9		

表 3-1B 公称压力 ANSI Class 900、1500

多级降压式套筒的降压级数：1~24 级；多级降压式套筒的材质：410SS & INCONEL

Table 3-1B BODY RATING ANSI Class 900、1500

Multi-stage Cage Pressure Drop Levels : 1~24 Levels ; Multi-stage Cage Material : 410SS & INCONEL

公称通径 Valve size inch (mm)	阀芯尺寸 Plug size inch (mm)	行程 Stroke mm	最小可控 Min.Cv	流向：高进低出 Flow direction : Over Plug Flow													
				1 lev	2 lev	4 lev	6 lev	8 lev	10 lev	12 lev	14 lev	16 lev	18 lev	20 lev	22 lev	24 lev	
				6 (150)	4 (100)	Standard 50	3.17	231.9	147.8	118.0	99.1	79.5	67.0	52.1	43.1	37.3	33.2
Standard 60	231.9	169.6	137.3			116.1		93.6	79.1	61.5	50.9	44.0	39.1	—	—	—	
Standard 70	231.9	194.4	160.5			137.1		111.6	94.7	73.9	61.2	52.9	46.9	—	—	—	
Standard 90	231.9	223.9	190.2			165.2		136.5	116.9	91.8	76.3	66.0	58.5	—	—	—	
3 (80)	Standard 50	2.01	140.7		126.8	106.1	88.3	69.3	63.8	49.9	41.4	35.8	31.8	25.0	22.5	17.2	
	Standard 60		140.7		140.0	119.8	101.4	80.7	74.5	58.7	48.8	42.3	37.5	29.5	26.5	20.3	
	Standard 70		140.7		140.7	134.7	116.5	94.6	87.8	69.9	58.4	50.7	45.0	35.5	31.9	24.3	
	Standard 90		140.7		140.7	140.7	134.4	112.4	105.2	85.4	72.0	62.8	56.0	44.2	39.7	30.2	
2.5 (65)	Standard 50	1.36	96.9		96.9	82.4	69.8	57.2	51.3	43.1	35.1	29.7	28.3	24.2	21.7	16.5	
	Standard 60		96.9		96.9	91.8	79.2	66.0	59.5	50.4	41.3	35.1	33.4	28.6	25.7	19.5	
	Standard 70		96.9		96.9	96.9	89.6	76.2	69.4	59.4	49.1	41.9	39.9	34.3	30.8	23.4	
	Standard 90		96.9		96.9	96.9	96.9	88.7	81.8	71.3	59.9	51.6	49.2	42.5	38.3	29.2	
8 (200)	6 (150)	Standard 60	5.93	453.3	236.2	195.6	161.7	130.5	116.4	97.3	—	—	—	—	—		
		Standard 80		453.3	307.6	258.9	216.4	175.8	157.2	131.5	—	—	—	—	—		
		Standard 100		453.3	358.9	306.8	259.3	212.5	190.6	160.0	—	—	—	—	—		
		Standard 120		453.3	401.9	348.9	298.5	247.0	222.3	187.5	—	—	—	—	—		
	5 (125)	Standard 60	4.50	345.8	224.4	183.1	156.9	123.6	113.7	95.1	71.5	64.2	57.6	47.6	43.0	35.7	
		Standard 80		345.8	284.1	238.1	206.9	165.3	152.6	128.3	96.6	86.8	77.8	64.1	57.8	47.8	
		Standard 100		345.8	323.7	277.5	244.4	198.2	183.6	155.3	117.6	105.8	94.8	78.1	70.4	58.0	
		Standard 120		345.8	345.8	310.2	276.9	228.1	212.3	180.8	137.9	124.2	111.5	91.9	82.8	68.2	
	4 (100)	Standard 60	3.17	231.9	199.5	160.0	139.6	118.0	100.3	85.9	66.3	56.3	54.3	46.0	41.5	34.3	
		Standard 80		231.9	231.9	200.5	178.7	154.0	132.7	114.7	89.3	76.0	73.4	62.2	56.1	46.2	
		Standard 100		231.9	231.9	226.6	205.4	180.1	157.3	137.2	107.9	92.2	89.1	75.7	68.3	56.3	
		Standard 120		231.9	231.9	231.9	226.8	202.1	178.8	157.6	125.4	107.7	104.2	88.8	80.2	66.2	
	3 (80)	Standard 60	2.01	140.7	140.0	116.4	101.4	77.5	74.5	64.4	48.8	42.3	42.0	35.5	34.0	27.8	
		Standard 80		140.7	140.7	140.6	126.1	100.3	96.8	84.8	65.4	56.8	56.4	47.9	45.9	37.6	
		Standard 100		140.7	140.7	140.7	140.7	116.4	112.8	100.1	78.4	68.6	68.1	58.0	55.7	45.7	
		Standard 120		140.7	140.7	140.7	140.7	129.7	126.1	113.3	90.4	79.6	79.0	67.7	65.0	53.6	
10 (250)	7 (175)	Standard 90	6.67	574.9	373.3	319.1	265.6	215.9	196.8	157.8	120.7	109.3	98.9	83.3	73.8	59.4	
		Standard 100		574.9	403.3	346.8	289.9	236.5	215.8	173.3	132.6	120.1	108.7	91.4	80.9	65.1	
		Standard 120		574.9	457.3	397.9	336.1	276.3	252.7	203.7	156.2	141.5	128.0	107.5	95.1	76.3	
		Standard 140		574.9	503.7	443.6	378.7	314.0	287.9	233.2	179.3	162.5	147.1	123.5	109.2	87.4	
	5 (125)	Standard 80	4.50	345.8	296.9	260.8	222.2	183.9	168.6	136.5	105.0	95.2	86.2	72.5	64.1	51.5	
		Standard 100		345.8	336.0	300.7	260.7	219.1	201.9	164.9	127.7	115.9	105.0	88.3	78.1	62.6	
		Standard 120		345.8	345.8	332.8	293.5	250.5	232.1	191.6	149.5	135.9	123.3	103.9	91.9	73.6	
		Standard 140		345.8	345.8	345.8	321.1	278.1	259.2	216.3	170.3	155.2	141.1	119.1	105.5	84.5	
	4 (100)	Standard 80	3.17	231.9	231.9	209.0	178.7	145.9	132.7	114.7	89.3	76.0	71.4	66.3	60.2	49.8	
		Standard 100		231.9	231.9	231.9	205.4	171.6	157.3	137.2	107.9	92.2	86.7	80.6	73.2	60.7	
		Standard 120		231.9	231.9	231.9	226.8	193.5	178.8	157.6	125.4	107.7	101.4	94.4	85.9	71.3	
		Standard 140		231.9	231.9	231.9	231.9	212.1	197.5	175.9	141.8	122.5	115.5	107.7	98.3	81.8	
12 (300)	10 (250)	Standard 100	10.00	1069.9	515.1	453.5	363.5	301.0	264.1	223.7	—	—	—	—	—		
		Standard 150		1069.9	672.0	635.8	517.5	432.2	380.5	323.2	—	—	—	—	—		
		Standard 200		1069.9	747.4	799.0	663.9	561.2	497.2	424.6	—	—	—	—	—		
		Standard 220		1069.9	747.4	851.9	713.7	606.4	538.6	461.2	—	—	—	—	—		
	8 (200)	Standard 90	7.59	747.4	474.8	388.7	320.8	267.0	234.8	199.2	146.6	134.8	119.4	103.4	89.1	72.4	
		Standard 150		747.4	670.9	572.9	486.7	412.9	366.5	313.6	232.5	213.9	189.5	163.8	140.8	113.6	
		Standard 200		747.4	747.4	692.3	604.2	523.1	469.5	406.2	305.1	281.3	249.7	216.1	185.9	149.9	
		Standard 220		747.4	747.4	728.0	641.4	559.5	504.4	438.4	331.2	305.6	271.6	235.4	202.5	163.4	
	7 (175)	Standard 90	6.67	574.9	444.3	371.1	310.4	260.6	230.1	196.0	144.8	133.2	118.0	102.1	88.0	71.4	
		Standard 150		574.9	574.9	522.0	454.1	392.1	351.5	303.7	227.9	210.1	186.5	161.6	139.1	112.3	
		Standard 200		574.9	574.9	574.9	545.4	483.3	439.9	386.3	295.9	273.9	244.2	212.3	183.1	148.0	
		Standard 220		574.9	574.9	574.9	572.4	511.7	468.4	413.9	319.8	296.4	264.8	230.6	199.2	161.2	
	6 (150)	Standard 90	5.93	453.3	408.3	330.8	297.0	231.9	215.3	192.0	142.7	126.8	116.6	100.9	87.0	70.5	
		Standard 150		453.3	453.3	449.6	415.9	342.3	321.5	291.1	222.1	198.4	183.0	159.0	137.1	110.9	
		Standard 200		453.3	453.3	453.3	453.3	414.6	393.7	361.8	284.1	256.0	237.1	207.4	179.7	145.8	
		Standard 220		453.3	453.3	453.3	453.3	436.4	415.9	384.3	305.2	275.9	256.1	224.6	195.0	158.6	

表 3-2A 公称压力 ANSI Class 900、1500

多级降压式套筒的降压级数：1~24 级；多级降压式套筒的材质：410SS & INCONEL

Table 3-2A BODY RATING ANSI Class 900、1500

Multi-stage Cage Pressure Drop Levels : 1~24 Levels ; Multi-stage Cage Material : 410SS & INCONEL

公称通径 Valve size inch (mm)	阀芯尺寸 Plug size inch (mm)	行程 Stroke mm	最小可控 Min.Cv	流向：低进高出 Flow direction : Under Plug Flow															
				1 lev	2 lev	4 lev	6 lev	8 lev	10 lev	12 lev	14 lev	16 lev	18 lev	20 lev	22 lev	24 lev			
1 (25)	5/8 (16)	Standard 12	0.10	4.8	4.0	3.1	2.9	2.4											
		Standard 20		4.8	4.8	4.5	4.2	3.7											
	1/2 (15)	Standard 12	0.04	2.3	2.3	2.0	1.7	1.6											
		Standard 20		2.3	2.3	2.3	2.4	2.3											
1.5 (40)	1 (25)	Standard 20	0.28	15.5	12.6	10.0	8.3	6.8	—	—									
		Standard 30		15.5	15.5	13.3	11.3	9.6	—	—									
		Standard 40		15.5	15.5	15.6	13.7	11.9	—	—									
	5/8 (16)	Standard 20	0.10	4.8	4.8	4.8	4.2	4.0	3.5	3.2									
		Standard 30		4.8	4.8	4.8	4.8	4.8	4.6	4.2									
		Standard 40		4.8	4.8	4.8	4.8	4.8	4.8	4.8	4.8								
2 (50)	1.25 (32)	Standard 25	0.36	26.5	20.9	16.4	12.8	11.1	—	—	—	—							
		Standard 30		26.5	23.5	18.8	14.9	13.0	—	—	—	—							
		Standard 40		26.5	26.5	22.9	18.7	16.5	—	—	—	—							
	1 (25)	Standard 25	0.28	15.5	14.5	12.6	11.0	10.2	7.6	—	—	—							
		Standard 30		15.5	15.5	14.1	12.5	11.7	8.8	—	—	—							
		Standard 40		15.5	15.5	15.5	14.8	14.1	11.0	—	—	—							
	5/8 (16)	Standard 25	0.10	4.8	4.8	4.8	4.8	4.5	4.4	4.0	4.2	4.0							
		Standard 30		4.8	4.8	4.8	4.8	4.8	4.8	4.8	4.5	4.7	4.5						
		Standard 40		4.8	4.8	4.8	4.8	4.8	4.8	4.8	4.8	4.8	4.8						
3 (80)	2 (50)	Standard 30	0.94	60.7	41.6	29.5	24.9	21.1	17.4	—	—	—	—	—	—	—	—		
		Standard 40		65.8	51.5	37.7	32.0	27.3	22.6	—	—	—	—	—	—	—	—	—	
		Standard 50		65.8	59.3	44.9	38.6	33.2	27.5	—	—	—	—	—	—	—	—	—	
	1.5 (40)	Standard 30	0.64	42.1	32.8	25.6	23.5	20.1	16.1	13.9	10.6	9.9	—	—	—	—	—	—	
		Standard 40		42.1	39.2	31.8	29.4	25.6	20.7	17.9	13.8	12.8	—	—	—	—	—	—	
		Standard 50		42.1	42.1	36.8	34.4	30.3	24.9	21.7	16.8	15.7	—	—	—	—	—	—	
	1 (25)	Standard 30	0.28	15.5	15.5	13.3	12.5	11.2	10.3	9.6	9.4	8.8	7.5	6.9	5.3				
		Standard 40		15.5	15.5	15.6	14.8	13.6	12.6	11.9	11.7	11.0	9.5	8.8	6.8				
		Standard 50		15.5	15.5	15.5	15.5	15.4	14.5	13.7	13.5	12.8	11.3	10.5	8.2				
4 (100)	2.5 (65)	Standard 40	1.36	93.5	63.4	48.4	40.6	34.3	28.4	24.3	18.1	—	—	—	—	—	—		
		Standard 50		96.9	74.7	58.2	49.3	41.8	34.8	29.8	22.2	—	—	—	—	—	—		
		Standard 60		96.9	84.2	67.0	57.3	48.9	40.9	35.2	26.2	—	—	—	—	—	—		
		Standard 70		96.9	92.0	74.9	64.7	55.7	46.8	40.4	30.2	—	—	—	—	—	—		
	2 (50)	Standard 40	0.94	65.8	54.1	43.8	34.2	32.7	27.3	23.5	17.5	16.5	14.0	—	—	—	—		
		Standard 50		65.8	61.9	51.5	41.0	39.4	33.2	28.7	21.5	20.2	17.1	—	—	—	—		
		Standard 60		65.8	65.8	57.9	47.1	45.4	38.6	33.6	25.3	23.8	20.2	—	—	—	—		
		Standard 70		65.8	65.8	63.2	52.5	50.7	43.6	38.1	29.0	27.3	23.3	—	—	—	—		
	1.25 (32)	Standard 40	0.36	26.5	26.5	23.7	21.1	20.1	17.0	17.8	15.7	14.8	12.7	11.9	9.7	8.2			
		Standard 50		26.5	26.5	26.5	24.3	23.2	20.1	20.9	18.6	17.7	15.4	14.4	11.9	10.0			
		Standard 60		26.5	26.5	26.5	26.5	25.8	22.7	23.5	21.2	20.2	17.7	16.7	13.9	11.8			
		Standard 70		26.5	26.5	26.5	26.5	26.5	24.8	25.7	23.4	22.4	19.9	18.7	15.8	13.5			

表 3-3A 公称压力 ANSI Class 900、1500

多级降压式套筒的降压级数：1~24 级；多级降压式套筒的材质：SUS316

Table 3-3A BODY RATING ANSI Class 900、1500

Multi-stage Cage Pressure Drop Levels : 1~24 Levels ; Multi-stage Cage Material : SUS316

公称通径 Valve size inch (mm)	阀芯尺寸 Plug size inch (mm)	行程 Stroke mm	最小可控 Min.Cv	流向：高进低出 Flow direction : Over Plug Flow														
				1 lev	2 lev	4 lev	6 lev	8 lev	10 lev	12 lev	14 lev	16 lev	18 lev	20 lev	22 lev	24 lev		
				1 (25)	5/8 (16)	Standard 12	0.10	4.8	3.6	2.8	2.3	1.7	—					
		Standard 20	4.8	4.8	4.2	3.6		2.7	—									
	1/2 (15)	Standard 12	0.04	2.3	2.0	1.6	1.3	1.1	0.9									
		Standard 20		2.3	2.3	2.2	1.9	1.7	1.4									
1.5 (40)	1 (25)	Standard 20	0.28	15.5	9.5	7.2	6.4	4.4	—	—								
		Standard 30		15.5	13.2	10.5	9.4	6.6	—	—								
		Standard 40		15.5	15.4	12.7	11.6	8.4	—	—								
	5/8 (16)	Standard 20	0.10	4.8	4.8	3.8	3.6	2.7	2.6	2.2								
		Standard 30		4.8	4.8	4.8	4.7	3.8	3.7	3.3								
		Standard 40		4.8	4.8	4.8	4.8	4.5	4.4	3.9								
2 (50)	1.25 (32)	Standard 25	0.36	26.5	15.3	12.4	10.8	7.7	—	—	—	—						
		Standard 30		26.5	17.6	14.4	12.5	9.0	—	—	—	—						
		Standard 40		26.5	21.4	17.9	15.8	11.5	—	—	—	—						
	1 (25)	Standard 25	0.28	15.5	13.3	10.6	8.8	6.8	5.8	—	—	—						
		Standard 30		15.5	14.7	12.0	10.1	7.9	6.8	—	—	—						
		Standard 40		15.5	15.5	14.2	12.3	9.8	8.5	—	—	—						
	5/8 (16)	Standard 25	0.10	4.8	4.8	4.8	4.3	3.3	3.3	2.9	2.0	1.7						
		Standard 30		4.8	4.8	4.8	4.7	3.8	3.7	3.3	2.3	2.0						
		Standard 40		4.8	4.8	4.8	4.8	4.5	4.4	3.9	2.9	2.6						
3 (80)	2 (50)	Standard 30	0.94	58.1	28.8	22.4	19.0	14.8	12.6	—	—	—	—	—				
		Standard 40		65.8	36.4	28.7	24.4	19.0	16.2	—	—	—	—	—				
		Standard 50		65.8	44.2	35.4	30.3	23.8	20.3	—	—	—	—	—				
	1.5 (40)	Standard 30	0.64	42.1	26.8	21.3	18.2	13.6	12.2	9.5	6.8	5.5	—	—				
		Standard 40		42.1	32.8	26.7	23.0	17.4	15.6	12.3	8.7	7.1	—	—				
		Standard 50		42.1	38.3	32.0	28.0	21.5	19.4	15.3	10.8	8.8	—	—				
	1 (25)	Standard 30	0.28	15.5	14.7	12.0	10.1	8.4	7.3	6.6	4.6	4.2	4.2	3.1				
		Standard 40		15.5	15.5	14.2	12.3	10.5	9.2	8.3	5.9	5.4	5.4	3.9				
		Standard 50		15.5	15.5	15.5	14.3	12.5	11.1	10.1	7.3	6.8	6.7	4.9				
4 (100)	2.5 (65)	Standard 40	1.36	89.1	45.7	35.4	29.8	23.4	21.5	17.1	12.5	—	—	—	—	—	—	
		Standard 50		96.9	56.2	44.1	37.2	29.3	27.0	21.4	15.6	—	—	—	—	—	—	
		Standard 60		96.9	64.4	51.1	43.3	34.3	31.5	25.0	18.2	—	—	—	—	—	—	
		Standard 70		96.9	73.0	58.7	50.1	39.9	36.7	29.2	21.3	—	—	—	—	—	—	
	2 (50)	Standard 40	0.94	65.8	42.7	33.8	28.6	22.6	20.8	15.8	12.0	9.6	8.4	—	—	—	—	
		Standard 50		65.8	51.2	41.4	35.4	28.2	26.0	19.7	15.1	12.0	10.5	—	—	—	—	
		Standard 60		65.8	57.2	47.1	40.7	32.7	30.2	23.1	17.7	14.1	12.3	—	—	—	—	
		Standard 70		65.8	63.1	53.0	46.3	37.7	34.9	26.8	20.6	16.4	14.3	—	—	—	—	
	1.25 (32)	Standard 40	0.36	26.5	25.4	20.8	17.5	13.9	12.6	10.9	7.9	7.4	6.7	6.2	5.1	3.3		
		Standard 50		26.5	26.5	24.3	20.9	17.0	15.5	13.6	9.9	9.3	8.4	7.8	6.4	4.1		
		Standard 60		26.5	26.5	26.6	23.4	19.3	17.8	15.6	11.5	10.9	9.8	9.1	7.5	4.8		
		Standard 70		26.5	26.5	26.5	25.7	21.7	20.1	17.9	13.3	12.6	11.3	10.6	8.8	5.6		

表 3-3B 公称压力 ANSI Class 900、1500

多级降压式套筒的降压级数：1~24 级；多级降压式套筒的材质：SUS316

Table 3-3B BODY RATING ANSI Class 900、1500

Multi-stage Cage Pressure Drop Levels : 1~24 Levels ; Multi-stage Cage Material : SUS316

公称通径 Valve size inch (mm)	阀芯尺寸 Plug size inch (mm)	行程 Stroke mm	最小可控 Min.Cv	流向：高进低出 Flow direction : Over Plug Flow												
				1 lev	2 lev	4 lev	6 lev	8 lev	10 lev	12 lev	14 lev	16 lev	18 lev	20 lev	22 lev	24 lev
6 (150)	4 (100)	Standard 50	3.17	231.9	145.4	115.9	97.2	77.9	65.7	51.0	42.3	36.6	32.5	—	—	—
		Standard 60		231.9	165.7	133.8	112.9	91.0	76.9	59.7	49.5	42.8	38.0	—	—	—
		Standard 70		231.9	189.3	155.6	132.6	107.7	91.3	71.2	58.9	50.9	45.2	—	—	—
		Standard 90		231.9	217.8	183.8	159.1	131.0	111.9	87.8	72.8	63.0	55.9	—	—	—
	3 (80)	2.01	Standard 50	140.7	125.2	104.5	86.8	68.0	62.6	49.0	40.6	35.1	31.1	24.5	22.1	16.8
			Standard 60	140.7	137.7	117.4	99.1	78.6	72.6	57.1	47.5	41.1	36.4	28.7	25.8	19.6
			Standard 70	140.7	140.7	131.6	113.3	91.6	84.9	67.5	56.3	48.8	43.4	34.2	30.7	23.2
			Standard 90	140.7	140.7	140.7	130.7	108.6	101.4	81.9	69.0	60.1	53.5	42.2	37.9	28.7
	2.5 (65)	1.36	Standard 50	96.9	96.9	81.3	68.7	56.2	50.4	42.3	34.4	29.1	27.7	23.7	21.3	16.1
			Standard 60	96.9	96.9	90.2	77.6	64.4	58.0	49.1	40.1	34.1	32.4	27.8	24.9	18.8
			Standard 70	96.9	96.9	96.9	87.4	74.1	67.3	57.5	47.4	40.4	38.5	33.0	29.7	22.4
			Standard 90	96.9	96.9	96.9	96.9	86.1	79.2	68.8	57.5	49.4	47.1	40.6	36.6	27.7
8 (200)	6 (150)	Standard 60	5.93	453.3	229.9	190.2	157.1	126.7	113.0	94.5	—	—	—	—	—	
		Standard 80		453.3	296.8	249.1	207.8	168.6	150.6	126.0	—	—	—	—	—	
		Standard 100		453.3	353.3	301.4	254.4	208.2	186.6	156.6	—	—	—	—	—	
		Standard 120		453.3	393.9	340.9	290.9	240.3	216.1	182.0	—	—	—	—	—	
	5 (125)	4.50	Standard 60	345.8	218.9	178.3	152.6	120.1	110.5	92.4	69.4	62.4	56.0	46.3	41.8	34.8
			Standard 80	345.8	275.5	229.8	199.3	158.8	146.5	123.0	92.6	83.2	74.5	61.4	55.4	45.9
			Standard 100	345.8	319.5	273.1	240.2	194.4	180.1	152.2	115.1	103.5	92.8	76.4	68.9	56.9
			Standard 120	345.8	345.8	304.1	270.7	222.3	206.7	175.8	133.8	120.5	108.1	89.1	80.3	66.3
	4 (100)	3.17	Standard 60	231.9	195.5	156.2	136.1	114.8	97.6	83.5	64.4	54.6	52.8	44.7	40.3	33.4
			Standard 80	231.9	231.9	194.7	172.9	148.5	127.7	110.2	85.6	72.8	70.3	59.6	53.7	44.4
			Standard 100	231.9	231.9	223.9	202.5	177.2	154.5	134.6	105.7	90.3	87.3	74.1	66.8	55.2
			Standard 120	231.9	231.9	231.9	222.8	197.9	174.7	153.7	122.0	104.7	101.2	86.2	77.8	64.3
	3 (80)	2.01	Standard 60	140.7	137.7	114.0	99.1	75.5	72.6	62.6	47.5	41.1	40.8	34.5	33.0	27.0
			Standard 80	140.7	140.7	137.3	122.6	96.9	93.5	81.7	62.8	54.5	54.1	45.9	44.0	36.0
			Standard 100	140.7	140.7	140.7	140.0	114.6	111.1	98.4	76.9	67.2	66.7	56.8	54.5	44.7
			Standard 120	140.7	140.7	140.7	140.7	127.2	123.7	110.8	88.1	77.4	76.9	65.8	63.2	52.0
10 (250)	7 (175)	Standard 90	6.67	574.9	358.7	305.8	254.0	206.2	187.8	150.5	115.2	104.3	94.4	79.5	70.5	56.7
		Standard 100		574.9	396.3	340.3	284.2	231.7	211.3	169.6	129.8	117.5	106.3	89.4	79.2	63.6
		Standard 120		574.9	447.0	388.1	327.1	268.4	245.3	197.6	151.5	137.2	124.1	104.3	92.2	73.8
		Standard 140		574.9	498.0	437.9	373.3	309.1	283.4	229.4	176.3	159.8	144.6	121.4	107.3	85.8
	5 (125)	4.50	Standard 80	345.8	288.3	252.3	214.2	176.8	161.9	130.9	100.6	91.2	82.6	69.4	61.4	49.2
			Standard 100	345.8	331.8	296.3	256.4	215.1	198.0	161.6	125.0	113.4	102.8	86.4	76.4	61.1
			Standard 120	345.8	345.8	326.9	287.3	244.4	226.2	186.3	145.1	131.9	119.6	100.8	89.1	71.2
			Standard 140	345.8	345.8	345.8	317.7	274.7	255.8	213.2	167.6	152.7	138.8	117.1	103.7	82.9
	4 (100)	3.17	Standard 80	231.9	231.9	203.3	172.9	140.6	127.7	110.2	85.6	72.8	68.4	63.5	57.6	47.6
			Standard 100	231.9	231.9	231.9	202.5	168.7	154.5	134.6	105.7	90.3	84.9	78.9	71.7	59.3
			Standard 120	231.9	231.9	231.9	222.8	189.3	174.7	153.7	122.0	104.7	98.5	91.7	83.4	69.1
			Standard 140	231.9	231.9	231.9	231.9	209.8	195.2	173.6	139.7	120.6	113.7	106.0	96.7	80.2
12 (300)	10 (250)	Standard 100	10.00	747.4	538.7	444.2	355.7	294.5	258.4	218.9	—	—	—	—	—	
		Standard 150		747.4	741.8	624.1	507.4	423.4	372.7	316.4	—	—	—	—	—	
		Standard 200		747.4	903.2	777.0	643.6	543.0	480.6	410.0	—	—	—	—	—	
		Standard 220		747.4	961.8	835.4	698.0	592.1	525.4	449.5	—	—	—	—	—	
	8 (200)	7.59	Standard 90	747.4	456.0	372.1	306.6	254.9	224.0	190.0	139.9	128.6	113.9	98.7	85.1	69.2
			Standard 150	747.4	661.8	563.8	478.2	405.1	359.3	307.3	227.7	209.5	185.5	160.4	137.8	111.3
			Standard 200	747.4	747.4	677.1	588.7	508.1	455.2	393.2	294.7	271.6	240.9	208.5	179.3	144.7
			Standard 220	747.4	747.4	717.0	629.8	548.1	493.4	428.2	322.9	297.8	264.6	229.2	197.2	159.1
	7 (175)	6.67	Standard 90	574.9	428.7	356.5	297.4	249.2	219.8	187.1	138.1	127.1	112.6	97.5	84.0	68.2
			Standard 150	574.9	574.9	515.0	447.1	385.4	345.1	298.0	223.3	205.8	182.7	158.2	136.2	110.0
			Standard 200	574.9	574.9	574.9	533.9	471.3	428.0	375.0	286.3	264.8	235.9	205.0	176.7	142.9
			Standard 220	574.9	574.9	574.9	564.1	502.9	459.5	405.2	312.2	289.3	258.3	224.8	194.0	157.0
	6 (150)	5.93	Standard 90	453.3	396.1	318.8	285.4	222.1	206.0	183.5	136.3	121.0	111.2	96.3	83.0	67.3
			Standard 150	453.3	453.3	444.4	410.5	336.8	316.1	285.9	217.8	194.5	179.3	155.8	134.3	108.7
			Standard 200	453.3	453.3	453.3	453.3	405.4	384.3	352.4	275.5	247.9	229.5	200.5	173.6	140.9
			Standard 220	453.3	453.3	453.3	453.3	429.7	409.0	377.3	298.6	269.6	250.1	219.1	190.1	154.6

表 3-4A 公称压力 ANSI Class 900、1500

多级降压式套筒的降压级数：1~24 级；多级降压式套筒的材质：SUS316

Table 3-4A BODY RATING ANSI Class 900、1500

Multi-stage Cage Pressure Drop Levels : 1~24 Levels ; Multi-stage Cage Material : SUS316

公称通径 Valve size inch (mm)	阀芯尺寸 Plug size inch (mm)	行程 Stroke mm	最小可控 Min.Cv	流向：低进高出 Flow direction : Under Plug Flow															
				1 lev	2 lev	4 lev	6 lev	8 lev	10 lev	12 lev	14 lev	16 lev	18 lev	20 lev	22 lev	24 lev			
				1 (25)	5/8 (16)	Standard 12	0.10	4.8	3.6	2.8	2.6	2.4							
		Standard 20	4.8	4.8	4.2	3.9		3.6											
	1/2 (15)	Standard 12	0.04	2.3	2.2	1.8	1.5	1.5											
		Standard 20		2.3	2.3	2.3	2.2	2.2											
1.5 (40)	1 (25)	Standard 20	0.28	15.5	11.6	9.0	7.4	6.1	—	—									
		Standard 30		15.5	15.3	12.6	10.7	9.0	—	—									
		Standard 40		15.5	15.5	14.9	13.0	11.1	—	—									
	5/8 (16)	Standard 20	0.10	4.8	4.8	4.5	3.9	3.6	3.2	2.9									
		Standard 30		4.8	4.8	4.8	4.8	4.8	4.4	4.0									
		Standard 40		4.8	4.8	4.8	4.8	4.8	4.8	4.8	4.7								
2 (50)	1.25 (32)	Standard 25	0.36	26.5	20.0	15.5	12.1	10.5	—	—	—	—							
		Standard 30		26.5	22.5	17.8	14.0	12.2	—	—	—	—							
		Standard 40		26.5	26.3	21.6	17.5	15.4	—	—	—	—							
	1 (25)	Standard 25	0.28	15.5	14.0	12.1	10.5	9.7	7.2	—	—	—							
		Standard 30		15.5	15.3	13.5	11.9	11.1	8.3	—	—	—							
		Standard 40		15.5	15.5	15.5	14.1	13.3	10.3	—	—	—							
	5/8 (16)	Standard 25	0.10	4.8	4.8	4.8	4.6	4.4	4.2	3.8	4.1	3.9							
		Standard 30		4.8	4.8	4.8	4.8	4.8	4.6	4.3	4.5	4.3							
		Standard 40		4.8	4.8	4.8	4.8	4.8	4.8	4.8	4.8	4.8	4.8						
3 (80)	2 (50)	Standard 30	0.94	58.1	39.2	27.7	23.3	19.7	16.2	—	—	—	—	—	—	—	—		
		Standard 40		65.8	48.4	35.0	29.7	25.3	20.8	—	—	—	—	—	—	—	—	—	
		Standard 50		65.8	57.0	42.7	36.6	31.4	26.0	—	—	—	—	—	—	—	—	—	—
	1.5 (40)	Standard 30	0.64	42.1	31.1	24.1	22.0	18.9	15.0	13.0	9.9	9.2	—	—	—	—	—	—	
		Standard 40		42.1	37.3	29.8	27.5	23.8	19.2	16.6	12.7	11.8	—	—	—	—	—	—	—
		Standard 50		42.1	42.1	35.3	32.9	28.9	23.6	20.6	15.9	14.8	—	—	—	—	—	—	—
	1 (25)	Standard 30	0.28	15.5	15.3	12.6	11.9	10.6	9.7	9.0	8.9	8.3	7.1	6.5	4.9				
		Standard 40		15.5	15.5	14.9	14.1	12.8	11.9	11.1	11.0	10.3	8.9	8.2	6.3				
		Standard 50		15.5	15.5	15.5	15.5	14.9	13.9	13.2	13.0	12.3	10.8	10.0	7.8				
4 (100)	2.5 (65)	Standard 40	1.36	89.1	59.2	44.8	37.5	31.6	26.2	22.4	16.7	—	—	—	—	—	—		
		Standard 50		96.9	71.4	55.2	46.6	39.5	32.8	28.1	20.9	—	—	—	—	—	—	—	
		Standard 60		96.9	80.3	63.3	53.9	45.9	38.3	32.9	24.5	—	—	—	—	—	—	—	—
		Standard 70		96.9	89.0	71.8	61.7	53.0	44.4	38.3	28.6	—	—	—	—	—	—	—	—
	2 (50)	Standard 40	0.94	65.8	51.0	40.9	31.7	30.3	25.3	21.7	16.2	15.2	12.9	—	—	—	—	—	
		Standard 50		65.8	59.6	49.2	39.0	37.4	31.4	27.1	20.2	19.0	16.1	—	—	—	—	—	—
		Standard 60		65.8	65.4	55.2	44.6	42.9	36.3	31.5	23.6	22.2	18.9	—	—	—	—	—	—
		Standard 70		65.8	65.8	61.1	50.4	48.6	41.6	36.3	27.5	25.9	22.0	—	—	—	—	—	—
	1.25 (32)	Standard 40	0.36	26.5	26.3	22.4	19.9	18.8	15.9	16.6	14.6	13.8	11.8	11.0	9.0	7.6			
		Standard 50		26.5	26.5	25.9	23.4	22.3	19.2	20.0	17.8	16.8	14.6	13.6	11.2	9.5			
		Standard 60		26.5	26.5	26.5	25.8	24.7	21.6	22.5	20.1	19.2	16.7	15.7	13.0	11.0			
		Standard 70		26.5	26.5	26.5	26.5	26.5	24.0	24.8	22.5	21.6	19.0	17.9	15.0	12.8			

表 3-4B 公称压力 ANSI Class 900、1500
 多级降压式套筒的降压级数：1~24 级；多级降压式套筒的材质：SUS316
 Table 3-4B BODY RATING ANSI Class 900、1500
 Multi-stage Cage Pressure Drop Levels : 1~24 Levels ; Multi-stage Cage Material : SUS316

公称通径 Valve size inch (mm)	阀芯尺寸 Plug size inch (mm)	行程 Stroke mm	最小可控 Min.Cv	流向：低进高出 Flow direction : Under Plug Flow												
				1 lev	2 lev	4 lev	6 lev	8 lev	10 lev	12 lev	14 lev	16 lev	18 lev	20 lev	22 lev	24 lev
				6 (150)	4 (100)	Standard 50	3.17	231.9	178.5	136.5	114.6	93.0	78.6	66.4	52.5	49.2
Standard 60	231.9	199.9	156.2			132.4		108.2	91.8	77.7	61.4	57.6	—	30.0	—	20.8
Standard 70	231.9	223.2	179.5			154.0		127.2	108.6	92.2	73.1	68.6	—	35.6	—	24.5
Standard 90	231.9	231.9	208.2			182.2		153.2	132.0	113.0	90.2	84.6	—	44.0	—	30.0
3 (80)	Standard 50	2.01	140.7		137.4	110.7	100.9	86.3	76.3	63.2	50.3	51.9	39.7	36.7	—	18.9
	Standard 60		140.7		140.7	123.7	113.8	98.5	87.7	73.3	58.6	60.5	46.4	42.9	—	22.0
	Standard 70		140.7		140.7	137.7	128.1	112.8	101.4	85.7	69.2	71.3	55.1	51.1	—	26.2
	Standard 90		140.7		140.7	140.7	140.7	130.2	118.8	102.3	84.0	86.3	67.5	62.7	—	32.3
2.5 (65)	Standard 50	1.36	96.9		96.9	88.9	84.9	74.3	68.6	59.5	48.1	49.5	38.3	35.5	26.1	23.5
	Standard 60		96.9		96.9	96.9	93.6	83.3	77.4	67.9	55.5	57.1	44.5	41.3	30.6	27.5
	Standard 70		96.9		96.9	96.9	96.9	93.0	87.3	77.7	64.6	66.3	52.4	48.8	36.3	32.8
	Standard 90		96.9		96.9	96.9	96.9	96.9	96.9	89.7	76.4	78.2	63.1	59.0	44.6	40.3
8 (200)	6 (150)	Standard 60	5.93	453.3	294.9	216.7	183.4	152.6	128.7	106.8	—	—	—	—	—	
		Standard 80		453.3	369.5	281.2	240.7	202.0	171.1	142.4	—	—	—	—	—	
		Standard 100		453.3	427.0	336.7	292.0	247.7	211.3	176.6	—	—	—	—	—	
		Standard 120		453.3	453.3	377.2	331.0	283.7	243.6	204.8	—	—	—	—	—	
	5 (125)	Standard 60	4.50	345.8	273.9	207.3	177.1	141.4	125.6	104.4	84.4	89.0	67.9	61.0	52.2	34.8
		Standard 80		345.8	331.5	262.7	228.4	185.5	165.7	138.7	112.5	118.6	90.5	81.3	69.4	45.9
		Standard 100		345.8	345.8	306.9	271.6	224.9	202.4	170.8	139.5	146.9	112.6	101.2	86.4	56.9
		Standard 120		345.8	345.8	337.0	302.6	254.8	230.9	196.6	161.6	169.9	130.9	117.8	100.8	66.3
	4 (100)	Standard 60	3.17	231.9	212.0	172.4	157.0	133.7	119.7	100.5	81.7	86.1	65.8	59.1	50.5	38.6
		Standard 80		231.9	231.9	211.2	195.5	170.3	154.3	131.3	108.0	113.5	87.5	78.7	67.3	51.3
		Standard 100		231.9	231.9	231.9	224.6	199.8	183.3	158.5	132.0	138.4	108.0	97.5	83.6	63.9
		Standard 120		231.9	231.9	231.9	231.9	220.3	204.0	178.8	150.9	157.7	124.5	112.8	97.1	74.4
	3 (80)	Standard 60	2.01	140.7	140.7	126.6	113.8	103.6	94.7	92.4	76.8	80.5	62.7	56.5	48.5	37.0
		Standard 80		140.7	140.7	140.7	137.0	127.2	118.0	115.7	98.4	102.6	81.7	74.2	64.1	49.2
		Standard 100		140.7	140.7	140.7	140.7	140.7	135.7	133.4	116.2	120.5	98.4	90.0	78.4	60.9
		Standard 120		140.7	140.7	140.7	140.7	140.7	140.7	140.7	140.7	128.7	132.9	110.8	102.1	89.7
10 (250)	7 (175)	Standard 90	6.67	574.9	459.5	349.6	297.4	249.2	210.8	178.1	142.7	149.5	112.6	102.0	—	60.4
		Standard 100		574.9	499.4	386.7	331.2	278.9	236.7	200.4	160.8	168.4	126.9	114.9	—	67.8
		Standard 120		574.9	549.9	437.1	378.3	321.3	274.1	232.9	187.4	196.3	148.1	134.0	—	78.8
		Standard 140		574.9	574.9	488.0	427.7	367.0	315.5	269.4	217.8	227.8	172.4	156.1	—	91.6
	5 (125)	Standard 80	4.50	345.8	340.5	272.7	246.2	202.4	180.5	153.9	124.3	130.0	98.4	89.1	77.4	52.6
		Standard 100		345.8	345.8	316.8	290.2	243.6	219.2	188.7	153.7	160.6	122.3	110.9	96.3	65.3
		Standard 120		345.8	345.8	346.3	320.9	274.2	248.8	216.1	177.5	185.2	142.0	129.0	112.2	76.1
		Standard 140		345.8	345.8	345.8	345.8	304.8	279.2	245.2	203.5	211.9	164.1	149.4	130.3	88.6
	4 (100)	Standard 80	3.17	231.9	231.9	218.6	202.3	176.9	166.2	144.4	118.6	123.7	94.9	86.2	75.0	50.9
		Standard 100		231.9	231.9	231.9	231.0	206.5	195.7	172.8	144.2	150.0	116.8	106.4	92.9	63.3
		Standard 120		231.9	231.9	231.9	231.9	226.7	216.3	193.5	163.8	170.0	134.2	122.8	107.6	73.8
		Standard 140		231.9	231.9	231.9	231.9	231.9	231.9	213.9	184.1	190.4	153.0	140.6	123.9	85.7
12 (300)	10 (250)	Standard 100	10.00	747.4	675.9	517.9	417.0	346.2	291.1	251.0	—	—	—	—	—	
		Standard 150		747.4	898.5	716.6	588.9	494.4	418.6	362.2	—	—	—	—	—	
		Standard 200		747.4	1057.3	876.9	737.6	628.3	537.1	467.6	—	—	—	—	—	
		Standard 220		747.4	1069.9	935.8	795.1	682.0	585.8	511.5	—	—	—	—	—	
	8 (200)	Standard 90	7.59	747.4	561.4	439.5	357.6	298.6	252.0	217.7	172.2	187.5	136.7	121.2	107.7	73.0
		Standard 150		747.4	747.4	643.5	545.5	467.1	400.8	349.8	279.3	303.4	222.6	197.4	175.2	117.6
		Standard 200		747.4	747.4	747.4	658.7	576.8	503.2	444.0	359.0	388.5	288.2	256.1	227.8	152.9
		Standard 220		747.4	747.4	747.4	699.1	617.9	543.0	481.6	391.9	423.2	315.9	281.1	250.2	168.1
	7 (175)	Standard 90	6.67	574.9	513.2	414.8	343.6	290.0	246.4	213.8	169.7	184.7	135.0	119.8	106.4	71.9
		Standard 150		574.9	574.9	573.9	500.9	437.9	381.7	336.6	272.0	294.4	218.5	194.2	172.7	116.2
		Standard 200		574.9	574.9	574.9	574.9	524.9	467.4	418.6	344.8	370.9	280.4	250.3	223.4	150.9
		Standard 220		574.9	574.9	574.9	574.9	555.5	499.0	449.9	373.9	401.0	305.9	273.7	244.7	165.8
	6 (150)	Standard 90	5.93	453.3	441.3	364.7	325.8	278.8	239.2	208.8	166.9	181.2	133.2	118.3	105.2	71.0
		Standard 150		453.3	453.3	453.3	451.2	403.4	358.0	319.8	262.6	282.8	213.2	190.3	169.7	114.8
		Standard 200		453.3	453.3	453.3	453.3	453.3	426.1	388.1	326.9	349.0	270.2	242.8	217.8	148.7
		Standard 220		453.3	453.3	453.3	453.3	453.3	449.8	412.7	351.5	373.8	293.0	264.2	237.6	163.1

表 3-5A 公称压力 ANSI Class 2500

多级降压式套筒的降压级数：1~24 级；多级降压式套筒的材质：410SS

Table 3-5A BODY RATING ANSI Class 2500

Multi-stage Cage Pressure Drop Levels : 1~24 Levels ; Multi-stage Cage Material : 410SS

公称通径 Valve size inch (mm)	阀芯尺寸 Plug size inch (mm)	行程 Stroke mm	最小可控 Min.Cv	流向：高进低出 Flow direction : Over Plug Flow															
				1 lev	2 lev	4 lev	6 lev	8 lev	10 lev	12 lev	14 lev	16 lev	18 lev	20 lev	22 lev	24 lev			
				1.5 (40)	5/8 (16)	Standard 20	0.10	4.8	4.8	4.0	3.8	2.9	2.8	2.4					
		Standard 30	4.8	4.8	4.8	4.8		3.9	3.9	3.4									
		Standard 40	4.8	4.8	4.8	4.8		4.7	4.6	4.1									
2 (50)	1 (25)	Standard 25	0.28	15.5	13.7	10.9	9.1	7.5	5.9	4.2	—	—							
		Standard 30		15.5	15.2	12.4	10.5	8.8	7.0	5.1	—	—							
		Standard 40		15.5	15.5	14.8	12.9	11.0	9.0	6.6	—	—							
	5/8 (16)	Standard 25	0.10	4.8	4.8	4.8	4.4	3.8	3.4	2.9	2.0	2.0							
		Standard 30		4.8	4.8	4.8	4.8	4.3	3.9	3.4	2.4	2.3							
		Standard 40		4.8	4.8	4.8	4.8	4.8	4.6	4.1	3.0	3.0							
3 (80)	1.5 (40)	Standard 30	0.64	42.1	24.1	18.0	15.4	11.7	9.9	—	—	—	—	—					
		Standard 40		42.1	30.2	23.2	20.0	15.4	13.1	—	—	—	—	—					
		Standard 50		42.1	35.3	27.8	24.2	18.9	16.1	—	—	—	—	—					
		Standard 60		42.1	39.5	31.9	28.1	22.2	19.0	—	—	—	—	—					
	1 (25)	Standard 30	0.28	15.5	15.2	12.4	10.5	8.8	7.5	6.8	4.6	3.7	—	—					
		Standard 40		15.5	15.5	14.8	12.9	11.0	9.6	8.7	6.1	4.9	—	—					
		Standard 50		15.5	15.5	15.5	14.7	12.9	11.4	10.5	7.4	6.0	—	—					
		Standard 60		15.5	15.5	15.5	15.5	14.4	13.0	12.0	8.7	7.1	—	—					
	5/8 (16)	Standard 30	0.10	4.8	4.8	4.8	4.8	3.9	3.9	3.4	2.4	2.3	2.1	1.8					
		Standard 40		4.8	4.8	4.8	4.8	4.7	4.6	4.1	3.0	3.0	2.7	2.3					
		Standard 50		4.8	4.8	4.8	4.8	4.8	4.8	4.7	3.6	3.5	3.2	2.8					
		Standard 60		4.8	4.8	4.8	4.8	4.8	4.8	4.8	4.8	4.1	4.0	3.7	3.2				
4 (100)	2 (50)	Standard 40	0.94	65.8	43.5	34.3	29.0	22.7	20.0	15.4	11.3	8.7	—	—	—	—			
		Standard 50		65.8	51.3	41.3	35.3	27.9	24.7	19.1	14.1	10.8	—	—	—	—			
		Standard 60		65.8	57.8	47.6	41.1	32.8	29.2	22.7	16.8	13.0	—	—	—	—			
		Standard 70		65.8	63.1	53.1	46.3	37.5	33.5	26.1	19.5	15.1	—	—	—	—			
	1.5 (40)	Standard 40	0.64	42.1	36.8	29.2	24.2	20.9	17.1	15.1	10.4	9.4	7.8	6.0	—	—			
		Standard 50		42.1	41.8	34.3	29.0	25.3	20.9	18.5	12.9	11.7	9.7	7.5	—	—			
		Standard 60		42.1	42.1	38.5	33.1	29.2	24.4	21.7	15.3	13.9	11.5	9.0	—	—			
		Standard 70		42.1	42.1	41.8	36.6	32.7	27.7	24.8	17.6	16.1	13.4	10.5	—	—			
	1 (25)	Standard 40	0.28	15.5	15.5	14.1	12.9	11.0	9.6	8.0	6.1	5.6	5.2	4.7	4.4	2.4			
		Standard 50		15.5	15.5	15.5	14.7	12.9	11.4	9.7	7.4	6.9	6.4	5.9	5.4	3.0			
		Standard 60		15.5	15.5	15.5	15.5	14.4	13.0	11.2	8.7	8.1	7.5	6.9	6.4	3.6			
		Standard 70		15.5	15.5	15.5	15.5	15.5	14.2	12.5	9.9	9.2	8.6	7.9	7.3	4.1			

表 3-5B 公称压力 ANSI Class 2500

多级降压式套筒的降压级数：1~24 级；多级降压式套筒的材质：410SS

Table 3-5B BODY RATING ANSI Class 2500

Multi-stage Cage Pressure Drop Levels : 1~24 Levels ; Multi-stage Cage Material : 410SS

公称通径 Valve size inch (mm)	阀芯尺寸 Plug size inch (mm)	行程 Stroke mm	最小可控 Min.Cv	流向：高进低出 Flow direction : Over Plug Flow													
				1 lev	2 lev	4 lev	6 lev	8 lev	10 lev	12 lev	14 lev	16 lev	18 lev	20 lev	22 lev	24 lev	
6 (150)	3 (80)	Standard 50	2.01	140.7	110.5	90.7	77.4	58.9	52.1	37.8	30.5	26.2	23.4	—	—	—	
		Standard 70		140.7	139.3	119.5	104.7	82.3	73.5	54.4	44.2	38.1	34.1	—	—	—	
		Standard 90		140.7	140.7	137.5	123.1	99.6	89.9	67.7	55.4	47.9	43.0	—	—	—	
		Standard 110		140.7	140.7	140.7	137.5	114.3	104.2	80.0	66.1	57.4	51.7	—	—	—	
	2 (50)	0.94	Standard 50	65.8	65.8	63.1	54.5	42.6	40.8	35.6	27.0	24.3	22.9	15.3	15.3	10.9	
			Standard 70	65.8	65.8	65.8	65.8	56.1	54.2	48.3	37.8	34.3	32.4	22.1	22.1	15.8	
			Standard 90	65.8	65.8	65.8	65.8	64.5	62.7	56.9	45.8	41.9	39.8	27.6	27.6	20.0	
			Standard 110	65.8	65.8	65.8	65.8	65.8	65.8	63.7	52.7	48.6	46.4	32.8	32.8	24.0	
	1.25 (32)	0.36	Standard 50	26.5	26.5	26.5	26.5	23.8	22.6	20.7	15.8	14.6	13.5	12.2	11.1	8.5	
			Standard 70	26.5	26.5	26.5	26.5	26.5	26.5	26.1	21.2	19.8	18.4	16.9	15.5	12.1	
			Standard 90	26.5	26.5	26.5	26.5	26.5	26.5	26.5	24.6	23.2	21.9	20.3	18.8	14.9	
			Standard 110	26.5	26.5	26.5	26.5	26.5	26.5	26.5	26.5	26.5	26.0	24.6	23.1	21.5	17.5
8 (200)	4 (100)	Standard 60	3.17	231.9	161.9	130.0	113.4	87.1	76.2	58.5	46.3	40.9	36.0	—	—	—	
		Standard 80		231.9	203.0	168.6	149.5	117.2	103.3	80.1	63.7	56.4	49.7	—	—	—	
		Standard 100		231.9	229.2	195.7	175.8	140.6	124.8	97.7	78.2	69.4	61.2	—	—	—	
		Standard 110		231.9	231.9	207.2	187.4	151.4	134.9	106.3	85.3	75.8	66.9	—	—	—	
	3 (80)	2.01	Standard 60	140.7	135.9	118.8	96.8	82.3	70.1	57.0	45.5	40.4	35.6	27.6	24.6	18.3	
			Standard 80	140.7	140.7	140.7	121.8	106.2	92.2	76.3	61.7	55.1	48.7	38.0	33.9	25.3	
			Standard 100	140.7	140.7	140.7	137.8	122.6	108.3	91.1	74.7	66.9	59.5	46.6	41.7	31.2	
			Standard 110	140.7	140.7	140.7	140.7	129.6	115.4	97.8	80.7	72.6	64.7	50.9	45.5	34.2	
	2 (50)	0.94	Standard 60	65.8	65.8	65.8	60.9	53.7	47.0	41.4	31.8	30.0	27.1	21.1	21.1	18.0	
			Standard 80	65.8	65.8	65.8	65.8	65.2	58.7	52.9	42.0	39.8	36.2	28.6	28.6	24.6	
			Standard 100	65.8	65.8	65.8	65.8	65.8	65.8	60.5	49.4	47.1	43.2	34.6	34.6	29.9	
			Standard 110	65.8	65.8	65.8	65.8	65.8	65.8	63.7	52.7	50.4	46.4	37.5	37.5	32.5	
10 (250)	6 (150)	Standard 90	5.93	453.3	347.5	286.5	246.0	194.8	173.5	140.4	—	—	—	—	—		
		Standard 100		453.3	372.6	310.3	268.0	213.5	190.5	154.6	—	—	—	—	—		
		Standard 150		453.3	453.3	406.7	361.5	297.6	268.8	221.8	—	—	—	—	—		
		Standard 170		453.3	453.3	440.5	396.4	331.4	301.1	250.7	—	—	—	—	—		
	5 (125)	4.50	Standard 80	345.8	294.7	246.9	213.9	171.1	152.8	124.2	96.6	86.7	77.7	63.9	55.5	47.0	
			Standard 100	345.8	334.2	287.1	252.6	205.5	184.7	151.5	118.6	106.7	95.7	78.9	68.6	58.2	
			Standard 150	345.8	345.8	345.8	326.2	276.9	253.3	212.8	170.0	153.9	138.8	115.3	100.6	85.6	
			Standard 170	345.8	345.8	345.8	345.8	303.5	279.8	237.9	192.1	174.6	157.9	131.7	115.1	98.1	
12 (300)	8 (200)	Standard 90	7.59	747.4	428.4	357.9	286.6	236.7	207.9	172.4	—	—	—	—	—		
		Standard 100		747.4	465.8	391.2	314.8	260.6	229.1	190.3	—	—	—	—	—		
		Standard 150		747.4	622.4	537.9	444.0	373.3	330.8	277.0	—	—	—	—	—		
		Standard 200		747.4	740.5	658.7	559.5	479.3	429.0	363.3	—	—	—	—	—		
	6 (150)	5.93	Standard 90	453.3	378.3	327.1	270.1	227.1	192.1	168.6	127.8	116.5	101.5	85.9	76.5	60.8	
			Standard 100	453.3	403.3	351.9	293.2	247.9	210.6	185.2	140.9	128.5	112.1	94.9	84.5	67.2	
			Standard 150	453.3	453.3	447.4	388.9	338.7	294.0	262.0	203.2	186.2	163.3	139.0	124.2	99.1	
			Standard 200	453.3	453.3	453.3	453.3	412.0	366.1	331.2	263.3	242.8	214.5	183.8	164.8	132.3	

表 3-6 公称压力 ANSI Class 2500

多级降压式套筒的降压级数：1~24 级；多级降压式套筒的材质：INCONEL

Table 3-6 BODY RATING ANSI Class 2500

Multi-stage Cage Pressure Drop Levels : 1~24 Levels ; Multi-stage Cage Material : INCONEL

公称通径 Valve size inch (mm)	阀芯尺寸 Plug size inch (mm)	行程 Stroke mm	最小可控 Min.Cv	流向：高进低出 Flow direction : Over Plug Flow															
				1 lev	2 lev	4 lev	6 lev	8 lev	10 lev	12 lev	14 lev	16 lev	18 lev	20 lev	22 lev	24 lev			
2 (50)	1 (25)	Standard 25	0.28	15.5	13.7	10.2	9.1	6.9	5.4	—	—	—							
		Standard 30		15.5	15.2	11.7	10.5	8.1	6.4	—	—	—							
		Standard 40		15.5	15.5	14.1	12.9	10.3	8.3	—	—	—							
	5/8 (16)	Standard 25	0.10	4.8	4.8	4.6	4.4	3.4	3.4	2.9	2.0	1.8							
		Standard 30		4.8	4.8	4.8	4.8	3.9	3.9	3.4	2.4	2.1							
		Standard 40		4.8	4.8	4.8	4.8	4.7	4.6	4.1	3.0	2.7							
3 (80)	1.5 (40)	Standard 30	0.64	42.1	22.7	18.0	15.4	11.0	—	—	—	—	—	—	—				
		Standard 40		42.1	28.7	23.2	20.0	14.4	—	—	—	—	—	—					
		Standard 50		42.1	33.8	27.8	24.2	17.8	—	—	—	—	—	—					
		Standard 60		42.1	37.9	31.9	28.1	20.9	—	—	—	—	—	—					
	1 (25)	Standard 30	0.28	15.5	15.2	12.4	10.5	8.8	7.5	6.2	4.6	3.4	—	—					
		Standard 40		15.5	15.5	14.8	12.9	11.0	9.6	8.0	6.1	4.5	—	—					
		Standard 50		15.5	15.5	15.5	14.7	12.9	11.4	9.7	7.4	5.5	—	—					
		Standard 60		15.5	15.5	15.5	15.5	14.4	13.0	11.2	8.7	6.5	—	—					
	5/8 (16)	Standard 30	0.10	4.8	4.8	4.8	4.8	3.9	3.9	3.4	2.4	2.1	2.1	1.8					
		Standard 40		4.8	4.8	4.8	4.8	4.7	4.6	4.1	3.0	2.7	2.7	2.3					
		Standard 50		4.8	4.8	4.8	4.8	4.8	4.8	4.7	3.6	3.2	3.2	2.8					
		Standard 60		4.8	4.8	4.8	4.8	4.8	4.8	4.8	4.1	3.7	3.7	3.2					
	4 (100)	2 (50)	Standard 40	0.94	65.8	41.8	33.0	27.9	20.7	19.2	14.5	10.5	8.3	—	—	—	—		
			Standard 50		65.8	49.5	39.8	34.0	25.6	23.7	18.0	13.1	10.3	—	—	—	—		
			Standard 60		65.8	56.0	46.0	39.6	30.2	28.1	21.5	15.6	12.4	—	—	—	—		
			Standard 70		65.8	61.5	51.4	44.8	34.6	32.2	24.8	18.1	14.4	—	—	—	—		
1.5 (40)		Standard 40	0.64	42.1	36.8	28.1	24.2	19.1	17.1	14.3	10.4	8.6	7.0	—	—	—			
		Standard 50		42.1	41.8	33.1	29.0	23.3	20.9	17.6	12.9	10.7	8.7	—	—	—			
		Standard 60		42.1	42.1	37.3	33.1	27.0	24.4	20.7	15.3	12.8	10.3	—	—	—			
		Standard 70		42.1	42.1	40.7	36.6	30.4	27.7	23.6	17.6	14.8	12.0	—	—	—			
1 (25)		Standard 40	0.28	15.5	15.5	14.1	12.9	11.0	9.6	8.0	6.1	5.2	5.2	4.7	4.4	2.4			
		Standard 50		15.5	15.5	15.5	14.7	12.9	11.4	9.7	7.4	6.5	6.4	5.9	5.4	3.0			
		Standard 60		15.5	15.5	15.5	15.5	14.4	13.0	11.2	8.7	7.6	7.5	6.9	6.4	3.6			
		Standard 70		15.5	15.5	15.5	15.5	15.5	14.2	12.5	9.9	8.7	8.6	7.9	7.3	4.1			
6 (150)		3 (80)	Standard 50	2.01	140.7	110.5	90.7	77.4	58.9	49.5	37.8	29.2	24.9	22.2	—	—	—		
			Standard 70		140.7	139.3	119.5	104.7	82.3	70.1	54.4	42.4	36.2	32.3	—	—	—		
			Standard 90		140.7	140.7	137.5	123.1	99.6	86.0	67.7	53.2	45.6	40.7	—	—	—		
			Standard 110		140.7	140.7	140.7	137.5	114.3	100.1	80.0	63.5	54.7	49.0	—	—	—		
	2 (50)	Standard 50	0.94	65.8	65.8	63.1	54.5	42.6	40.8	35.6	27.0	23.1	21.7	15.3	14.0	11.9			
		Standard 70		65.8	65.8	65.8	65.8	56.1	54.2	48.3	37.8	32.7	30.8	22.1	20.3	17.3			
		Standard 90		65.8	65.8	65.8	65.8	64.5	62.7	56.9	45.8	40.1	38.0	27.6	25.5	21.8			
		Standard 110		65.8	65.8	65.8	65.8	65.8	65.8	63.7	52.7	46.7	44.4	32.8	30.4	26.1			
	1.25 (32)	Standard 50	0.36	26.5	26.5	26.5	26.5	23.8	22.6	20.7	15.8	14.6	13.5	12.2	11.1	9.4			
		Standard 70		26.5	26.5	26.5	26.5	26.5	26.5	26.1	21.2	19.8	18.4	16.9	15.5	13.4			
		Standard 90		26.5	26.5	26.5	26.5	26.5	26.5	26.5	24.6	23.2	21.9	20.3	18.8	16.4			
		Standard 110		26.5	26.5	26.5	26.5	26.5	26.5	26.5	26.5	26.5	26.0	24.6	23.1	21.5	19.0		

表 3-7A 公称压力 ANSI Class 2500

多级降压式套筒的降压级数：1~24 级；多级降压式套筒的材质：SUS316

Table 3-7A BODY RATING ANSI Class 2500

Multi-stage Cage Pressure Drop Levels : 1~24 Levels ; Multi-stage Cage Material : SUS316

公称通径 Valve size inch (mm)	阀芯尺寸 Plug size inch (mm)	行程 Stroke mm	最小可控 Min.Cv	流向：高进低出 Flow direction : Over Plug Flow															
				1 lev	2 lev	4 lev	6 lev	8 lev	10 lev	12 lev	14 lev	16 lev	18 lev	20 lev	22 lev	24 lev			
				1.5 (40)	5/8 (16)	Standard 20	0.10	4.8	4.8	3.7	3.5	2.6	2.5	2.2					
		Standard 30	4.8	4.8	4.8	4.7		3.7	3.7	3.2									
		Standard 40	4.8	4.8	4.8	4.8		4.4	4.4	3.9									
2 (50)	1 (25)	Standard 25	0.28	15.5	13.2	10.4	8.6	7.1	5.6	4.0	—	—							
		Standard 30		15.5	14.6	11.8	9.9	8.2	6.5	4.7	—	—							
		Standard 40		15.5	15.5	14.1	12.1	10.3	8.3	6.1	—	—							
	5/8 (16)	Standard 25	0.10	4.8	4.8	4.8	4.2	3.7	3.2	2.8	1.9	1.9							
		Standard 30		4.8	4.8	4.8	4.7	4.1	3.7	3.2	2.2	2.2							
		Standard 40		4.8	4.8	4.8	4.8	4.8	4.4	3.9	2.8	2.8							
3 (80)	1.5 (40)	Standard 30	0.64	41.8	22.6	16.8	14.3	10.9	9.2	—	—	—	—	—					
		Standard 40		42.1	28.3	21.5	18.5	14.2	12.0	—	—	—	—	—					
		Standard 50		42.1	33.9	26.4	23.0	17.8	15.2	—	—	—	—	—					
		Standard 60		42.1	37.8	30.2	26.5	20.8	17.8	—	—	—	—	—					
	1 (25)	Standard 30	0.28	15.5	14.6	11.8	9.9	8.2	7.1	6.3	4.3	3.4	—	—					
		Standard 40		15.5	15.5	14.1	12.1	10.3	8.9	8.1	5.6	4.5	—	—					
		Standard 50		15.5	15.5	15.5	14.2	12.3	10.9	9.9	7.0	5.6	—	—					
		Standard 60		15.5	15.5	15.5	15.5	13.8	12.3	11.3	8.2	6.6	—	—					
	5/8 (16)	Standard 30	0.10	4.8	4.8	4.8	4.7	3.7	3.7	3.2	2.2	2.2	—	1.6					
		Standard 40		4.8	4.8	4.8	4.8	4.4	4.4	3.9	2.8	2.8	2.5	2.1					
		Standard 50		4.8	4.8	4.8	4.8	4.8	4.8	4.5	3.4	3.4	3.0	2.6					
		Standard 60		4.8	4.8	4.8	4.8	4.8	4.8	4.8	4.8	3.9	3.8	3.5	3.0				
4 (100)	2 (50)	Standard 40	0.94	65.8	40.5	31.8	26.8	20.9	18.4	14.1	10.4	8.0	—	—	—	—			
		Standard 50		65.8	49.0	39.2	33.4	26.3	23.3	17.9	13.2	10.2	—	—	—	—			
		Standard 60		65.8	55.1	45.0	38.6	30.7	27.3	21.1	15.6	12.0	—	—	—	—			
		Standard 70		65.8	61.1	50.9	44.2	35.6	31.8	24.7	18.4	14.2	—	—	—	—			
	1.5 (40)	Standard 40	0.64	42.1	34.8	27.3	22.5	19.3	15.8	13.9	9.5	8.7	7.1	5.5	—	—			
		Standard 50		42.1	40.4	32.8	27.6	24.0	19.7	17.4	12.1	11.0	9.1	7.1	—	—			
		Standard 60		42.1	42.1	36.8	31.4	27.6	22.9	20.4	14.3	13.0	10.7	8.4	—	—			
		Standard 70		42.1	42.1	40.5	35.3	31.3	26.4	23.6	16.7	15.2	12.6	9.9	—	—			
	1 (25)	Standard 40	0.28	15.5	15.5	13.4	12.1	10.3	8.9	7.4	5.6	5.2	4.8	4.4	4.0	2.2			
		Standard 50		15.5	15.5	15.4	14.2	12.3	10.9	9.2	7.0	6.5	6.0	5.5	5.1	2.8			
		Standard 60		15.5	15.5	15.5	15.5	13.8	12.3	10.5	8.2	7.6	7.1	6.5	6.0	3.3			
		Standard 70		15.5	15.5	15.5	15.5	15.2	13.7	11.9	9.4	8.8	8.2	7.5	7.0	3.9			

表 3-7B 公称压力 ANSI Class 2500

多级降压式套筒的降压级数：1~24 级；多级降压式套筒的材质：SUS316

Table 3-7B BODY RATING ANSI Class 2500

Multi-stage Cage Pressure Drop Levels : 1~24 Levels ; Multi-stage Cage Material : SUS316

公称通径 Valve size inch (mm)	阀芯尺寸 Plug size inch (mm)	行程 Stroke mm	最小可控 Min.Cv	流向：高进低出 Flow direction : Over Plug Flow												
				1 lev	2 lev	4 lev	6 lev	8 lev	10 lev	12 lev	14 lev	16 lev	18 lev	20 lev	22 lev	24 lev
6 (150)	3 (80)	Standard 50	2.01	140.7	108.9	89.2	76.0	57.7	51.0	37.1	29.9	25.7	23.0	—	—	—
		Standard 70		140.7	136.3	116.3	101.6	79.5	70.9	52.3	42.5	36.6	32.8	—	—	—
		Standard 90		140.7	140.7	133.8	119.3	95.8	86.3	64.7	52.9	45.7	41.0	—	—	—
		Standard 110		140.7	140.7	140.7	135.5	112.1	102.0	78.1	64.4	55.9	50.3	—	—	—
	2 (50)	Standard 50	0.94	65.8	65.8	62.3	53.7	41.9	40.1	35.0	26.5	23.8	22.4	15.0	15.0	10.6
		Standard 70		65.8	65.8	65.8	65.8	54.6	52.7	46.8	36.5	33.0	31.3	21.2	21.2	15.2
		Standard 90		65.8	65.8	65.8	65.8	62.8	60.9	55.1	44.1	40.2	38.2	26.3	26.3	19.0
		Standard 110		65.8	65.8	65.8	65.8	65.8	65.8	62.7	51.7	47.5	45.4	32.0	32.0	23.3
	1.25 (32)	Standard 50	0.36	26.5	26.5	26.5	26.5	23.5	22.3	20.4	15.6	14.3	13.2	12.0	10.9	8.3
		Standard 70		26.5	26.5	26.5	26.5	26.5	26.5	25.5	20.6	19.2	17.8	16.3	15.0	11.6
		Standard 90		26.5	26.5	26.5	26.5	26.5	26.5	26.5	23.9	22.5	21.1	19.5	18.0	14.2
		Standard 110		26.5	26.5	26.5	26.5	26.5	26.5	26.5	26.5	26.5	25.6	24.2	22.6	21.1
8 (200)	4 (100)	Standard 60	3.17	231.9	158.0	126.5	110.3	84.6	74.0	56.7	44.9	39.7	34.9	—	—	—
		Standard 80		231.9	197.1	162.9	144.0	112.5	99.0	76.6	60.9	53.9	47.5	—	—	—
		Standard 100		231.9	226.5	192.7	172.9	138.0	122.3	95.7	76.5	67.9	59.9	—	—	—
		Standard 110		231.9	231.9	203.7	183.8	148.0	131.7	103.5	83.0	73.8	65.1	—	—	—
	3 (80)	Standard 60	2.01	140.7	133.6	116.3	94.5	80.1	68.2	55.3	44.2	39.2	34.5	26.7	23.8	17.6
		Standard 80		140.7	140.7	139.7	118.2	102.6	88.9	73.3	59.2	52.7	46.6	36.3	32.4	24.0
		Standard 100		140.7	140.7	140.7	136.1	120.8	106.5	89.4	73.2	65.5	58.2	45.6	40.8	30.3
		Standard 110		140.7	140.7	140.7	140.7	127.4	113.2	95.7	78.8	70.8	63.0	49.5	44.3	33.0
	2 (50)	Standard 60	0.94	65.8	65.8	65.8	59.8	52.5	45.9	40.4	30.9	29.2	26.3	20.5	20.5	17.4
		Standard 80		65.8	65.8	65.8	65.8	63.6	57.1	51.2	40.4	38.3	34.8	27.4	27.4	23.4
		Standard 100		65.8	65.8	65.8	65.8	65.8	65.3	59.7	48.6	46.3	42.4	33.9	33.9	29.1
		Standard 110		65.8	65.8	65.8	65.8	65.8	65.8	62.7	51.7	49.4	45.4	36.6	36.6	31.5
10 (250)	6 (150)	Standard 90	5.93	453.3	335.1	275.0	235.5	186.0	165.5	133.7	—	—	—	—	—	
		Standard 100		453.3	366.8	304.7	262.8	209.1	186.5	151.2	—	—	—	—	—	
		Standard 150		453.3	453.3	401.2	355.9	292.3	263.8	217.4	—	—	—	—	—	
		Standard 170		453.3	453.3	433.2	388.8	323.9	293.9	244.2	—	—	—	—	—	
	5 (125)	Standard 80	4.50	345.8	285.9	238.3	205.9	164.1	146.5	118.9	92.4	82.9	74.2	61.1	53.0	44.8
		Standard 100		345.8	330.0	282.7	248.3	201.5	181.0	148.3	116.0	104.3	93.5	77.1	67.1	56.7
		Standard 150		345.8	345.8	345.8	322.0	272.6	249.0	208.9	166.6	150.8	135.9	112.8	98.5	83.5
		Standard 170		345.8	345.8	345.8	345.8	297.7	274.0	232.3	187.1	169.9	153.5	127.9	111.8	95.0
12 (300)	8 (200)	Standard 90	7.59	747.4	410.5	342.0	273.4	225.5	197.9	164.0	—	—	—	—	—	
		Standard 100		747.4	457.0	383.3	308.1	254.9	224.1	186.0	—	—	—	—	—	
		Standard 150		747.4	613.1	528.8	435.7	365.9	324.1	271.2	—	—	—	—	—	
		Standard 200		747.4	725.8	643.0	543.9	464.7	415.3	351.0	—	—	—	—	—	
	6 (150)	Standard 90	5.93	453.3	365.8	314.9	258.9	217.2	183.4	160.7	121.7	110.9	96.6	81.7	72.7	57.8
		Standard 100		453.3	397.6	346.2	287.8	243.0	206.2	181.2	137.8	125.6	109.6	92.7	82.6	65.7
		Standard 150		453.3	453.3	442.2	383.3	333.2	288.8	257.0	199.1	182.4	159.9	136.0	121.5	96.9
		Standard 200		453.3	453.3	453.3	450.9	402.6	356.6	321.9	255.0	234.8	207.2	177.4	159.0	127.4

表 3-8A 公称压力 ANSI Class 2500

多级降压式套筒的降压级数：1~24 级；多级降压式套筒的材质：410SS

Table 3-8A BODY RATING ANSI Class 2500

Multi-stage Cage Pressure Drop Levels : 1~24 Levels ; Multi-stage Cage Material : 410SS

公称通径 Valve size inch (mm)	阀芯尺寸 Plug size inch (mm)	行程 Stroke mm	最小可控 Min.Cv	流向：低进高出 Flow direction : Under Plug Flow															
				1 lev	2 lev	4 lev	6 lev	8 lev	10 lev	12 lev	14 lev	16 lev	18 lev	20 lev	22 lev	24 lev			
				1.5 (40)	5/8 (16)	Standard 20	0.10	4.8	4.8	4.8	4.2	3.9	3.5						
		Standard 30	4.8	4.8	4.8	4.8		4.8	4.5										
		Standard 40	4.8	4.8	4.8	4.8		4.8	4.8										
2 (50)	1 (25)	Standard 25	0.28	15.5	14.4	12.2	10.3	10.0	7.8	6.2	—	—							
		Standard 30		15.5	15.5	13.7	11.8	11.5	9.1	7.3	—	—							
		Standard 40		15.5	15.5	15.5	14.2	13.9	11.4	9.4	—	—							
	5/8 (16)	Standard 25	0.10	4.8	4.8	4.8	4.7	4.5	4.3	4.0	4.2	4.1							
		Standard 30		4.8	4.8	4.8	4.8	4.8	4.8	4.4	4.6	4.6							
		Standard 40		4.8	4.8	4.8	4.8	4.8	4.8	4.8	4.8	4.8	4.8						
3 (80)	1.5 (40)	Standard 30	0.64	42.1	31.3	23.2	18.9	16.1	13.1	—	—	—	—	—					
		Standard 40		42.1	37.9	29.2	24.2	20.9	17.1	—	—	—	—	—					
		Standard 50		42.1	42.1	34.3	29.0	25.3	20.9	—	—	—	—	—					
		Standard 60		42.1	42.1	38.5	33.1	29.2	24.4	—	—	—	—	—					
	1 (25)	Standard 30	0.28	15.5	15.5	13.7	12.3	11.5	10.1	9.4	7.7	7.1	—	—					
		Standard 40		15.5	15.5	15.5	14.7	13.9	12.5	11.7	9.8	9.1	—	—					
		Standard 50		15.5	15.5	15.5	15.5	15.5	14.3	13.6	11.6	10.8	—	—					
		Standard 60		15.5	15.5	15.5	15.5	15.5	15.5	15.5	15.1	13.2	12.4	—	—				
	5/8 (16)	Standard 30	0.10	4.8	4.8	4.8	4.8	4.8	4.8	4.5	4.4	4.6	4.6	4.6	4.3				
		Standard 40		4.8	4.8	4.8	4.8	4.8	4.8	4.8	4.8	4.8	4.8	4.8	4.8				
		Standard 50		4.8	4.8	4.8	4.8	4.8	4.8	4.8	4.8	4.8	4.8	4.8	4.8	4.8			
		Standard 60		4.8	4.8	4.8	4.8	4.8	4.8	4.8	4.8	4.8	4.8	4.8	4.8	4.8			
4 (100)	2 (50)	Standard 40	0.94	65.8	52.3	41.9	35.6	32.0	24.9	21.9	15.8	14.8	—	—	—	—			
		Standard 50		65.8	60.2	49.7	42.7	38.7	30.5	26.9	19.6	18.3	—	—	—	—			
		Standard 60		65.8	65.8	56.2	49.1	44.7	35.8	31.7	23.3	21.8	—	—	—	—			
		Standard 70		65.8	65.8	61.6	54.6	50.1	40.7	36.2	26.9	25.2	—	—	—	—			
	1.5 (40)	Standard 40	0.64	42.1	39.0	30.3	28.1	25.1	23.0	21.0	15.5	14.5	12.1	11.1	—	—			
		Standard 50		42.1	42.1	35.4	33.1	29.9	27.7	25.4	19.0	17.8	15.0	13.8	—	—			
		Standard 60		42.1	42.1	39.5	37.3	34.0	31.7	29.4	22.3	21.0	17.7	16.4	—	—			
		Standard 70		42.1	42.1	42.1	40.7	37.6	35.3	32.8	25.4	24.0	20.3	18.8	—	—			
	1 (25)	Standard 40	0.28	15.5	15.5	15.5	14.7	13.9	12.5	11.2	12.5	12.4	10.8	10.1	8.3	7.2			
		Standard 50		15.5	15.5	15.5	15.5	15.5	14.3	13.0	14.4	14.2	12.6	11.9	9.9	8.7			
		Standard 60		15.5	15.5	15.5	15.5	15.5	15.5	14.5	15.5	15.5	14.2	13.4	11.4	10.1			
		Standard 70		15.5	15.5	15.5	15.5	15.5	15.5	15.5	15.5	15.5	15.4	14.7	12.7	11.4			

表 3-8B 公称压力 ANSI Class 2500

多级降压式套筒的降压级数：1~24 级；多级降压式套筒的材质：410SS

Table 3-8B BODY RATING ANSI Class 2500

Multi-stage Cage Pressure Drop Levels : 1~24 Levels ; Multi-stage Cage Material : 410SS

公称通径 Valve size inch (mm)	阀芯尺寸 Plug size inch (mm)	行程 Stroke mm	最小可控 Min.Cv	流向：低进高出 Flow direction : Under Plug Flow															
				1 lev	2 lev	4 lev	6 lev	8 lev	10 lev	12 lev	14 lev	16 lev	18 lev	20 lev	22 lev	24 lev			
6 (150)	3 (80)	Standard 50	2.01	140.7	132.4	104.8	89.9	73.2	64.5	53.1	42.0	—	—	—	—	—			
		Standard 70		140.7	140.7	133.8	118.6	99.9	89.3	74.8	60.1	—	—	—	—	—			
		Standard 90		140.7	140.7	140.7	136.7	118.2	107.2	91.3	74.4	—	—	—	—	—			
		Standard 110		140.7	140.7	140.7	140.7	132.9	122.0	105.7	87.5	—	—	—	—	—			
	2 (50)	Standard 50	0.94	65.8	65.8	65.8	62.3	58.5	55.0	47.4	39.0	38.5	30.9	27.1	—	—			
		Standard 70		65.8	65.8	65.8	65.8	65.8	65.8	61.0	52.2	51.6	42.7	38.0	—	—			
		Standard 90		65.8	65.8	65.8	65.8	65.8	65.8	65.8	60.8	60.2	51.1	46.0	—	—			
		Standard 110		65.8	65.8	65.8	65.8	65.8	65.8	65.8	65.8	65.8	58.1	52.9	—	—			
	1.25 (32)	Standard 50	0.36	26.5	26.5	26.5	26.5	26.5	26.5	26.5	26.5	26.5	26.5	24.7	22.6	19.7	17.1		
		Standard 70		26.5	26.5	26.5	26.5	26.5	26.5	26.5	26.5	26.5	26.5	26.5	26.5	25.2	22.5		
		Standard 90		26.5	26.5	26.5	26.5	26.5	26.5	26.5	26.5	26.5	26.5	26.5	26.5	26.5	26.5	25.9	
		Standard 110		26.5	26.5	26.5	26.5	26.5	26.5	26.5	26.5	26.5	26.5	26.5	26.5	26.5	26.5	26.5	
8 (200)	4 (100)	Standard 60	3.17	231.9	202.3	157.9	129.6	108.6	91.6	77.1	60.2	56.3	—	—	—	—			
		Standard 80		231.9	231.9	198.9	168.2	143.6	122.9	104.4	82.4	77.1	—	—	—	—			
		Standard 100		231.9	231.9	225.4	195.2	169.6	146.9	126.1	100.5	94.2	—	—	—	—			
		Standard 110		231.9	231.9	231.9	206.8	181.1	157.9	136.2	109.2	102.5	—	—	—	—			
	3 (80)	Standard 60	2.01	140.7	140.7	130.9	117.8	99.6	86.0	73.6	58.6	60.5	45.9	42.3	—	—			
		Standard 80		140.7	140.7	140.7	140.7	124.6	110.3	96.3	78.3	80.6	62.3	57.6	—	—			
		Standard 100		140.7	140.7	140.7	140.7	140.4	126.7	112.6	93.2	95.8	75.3	69.9	—	—			
		Standard 110		140.7	140.7	140.7	140.7	140.7	133.6	119.7	100.1	102.7	81.4	75.7	—	—			
	2 (50)	Standard 60	0.94	65.8	65.8	65.8	65.8	64.8	61.4	60.3	51.2	52.4	42.1	39.3	32.0	26.5			
		Standard 80		65.8	65.8	65.8	65.8	65.8	65.8	65.8	62.8	64.0	53.6	50.5	42.2	35.5			
		Standard 100		65.8	65.8	65.8	65.8	65.8	65.8	65.8	65.8	65.8	61.2	58.2	49.6	42.4			
		Standard 110		65.8	65.8	65.8	65.8	65.8	65.8	65.8	65.8	65.8	64.4	61.4	52.9	45.5			
10 (250)	6 (150)	Standard 90	5.93	453.3	423.9	339.6	281.6	237.4	201.3	168.6	—	—	—	—	—				
		Standard 100		453.3	447.8	364.6	305.2	258.9	220.4	185.2	—	—	—	—	—				
		Standard 150		453.3	453.3	453.3	401.5	351.3	306.0	262.0	—	—	—	—	—				
		Standard 170		453.3	453.3	453.3	435.4	386.2	340.1	293.9	—	—	—	—	—				
	5 (125)	Standard 80	4.50	345.8	345.8	288.6	242.9	206.8	176.5	148.6	117.4	127.6	94.4	84.7	72.3	55.1			
		Standard 100		345.8	345.8	328.4	283.0	245.0	211.6	179.9	143.4	155.4	115.8	104.2	89.1	68.0			
		Standard 150		345.8	345.8	345.8	345.8	318.6	283.7	247.5	202.6	217.8	166.4	150.5	129.7	99.8			
		Standard 170		345.8	345.8	345.8	345.8	343.9	310.2	273.9	227.1	243.2	188.2	170.8	147.7	114.2			
12 (300)	8 (200)	Standard 90	7.59	747.4	552.4	383.1	341.2	283.2	237.6	201.8	—	—	—	—	—				
		Standard 100		747.4	593.5	459.1	373.4	311.1	261.5	222.5	—	—	—	—	—				
		Standard 150		747.4	747.4	615.1	516.7	439.3	374.6	321.7	—	—	—	—	—				
		Standard 200		747.4	747.4	672.4	637.0	554.3	480.8	418.0	—	—	—	—	—				
	6 (150)	Standard 90	5.93	453.3	453.3	373.9	314.2	267.2	227.9	195.7	155.7	166.8	120.2	109.1	95.2	71.2			
		Standard 100		453.3	453.3	399.0	338.8	290.2	248.8	214.4	171.3	183.3	132.6	120.4	105.2	78.7			
		Standard 150		453.3	453.3	453.3	435.0	385.7	339.7	298.8	243.9	259.5	191.9	175.0	153.6	115.7			
		Standard 200		453.3	453.3	453.3	453.3	453.3	412.9	371.1	310.9	328.5	249.6	229.0	202.3	153.9			

表 3-9 公称压力 ANSI Class 2500

多级降压式套筒的降压级数：1~24 级；多级降压式套筒的材质：INCONEL

Table 3-9 BODY RATING ANSI Class 2500

Multi-stage Cage Pressure Drop Levels : 1~24 Levels ; Multi-stage Cage Material : INCONEL

公称通径 Valve size inch (mm)	阀芯尺寸 Plug size inch (mm)	行程 Stroke mm	最小可控 Min.Cv	流向：低进高出 Flow direction : Under Plug Flow															
				1 lev	2 lev	4 lev	6 lev	8 lev	10 lev	12 lev	14 lev	16 lev	18 lev	20 lev	22 lev	24 lev			
2 (50)	1 (25)	Standard 25	0.28	15.5	14.4	12.2	10.3	9.6	7.4	—	—	—							
		Standard 30		15.5	15.5	13.7	11.8	11.0	8.6	—	—	—							
		Standard 40		15.5	15.5	15.5	14.2	13.4	10.9	—	—	—							
	5/8 (16)	Standard 25	0.10	4.8	4.8	4.8	4.7	4.5	4.0	4.0	4.0	4.2	3.7						
		Standard 30		4.8	4.8	4.8	4.8	4.8	4.5	4.4	4.6	4.2							
		Standard 40		4.8	4.8	4.8	4.8	4.8	4.8	4.8	4.8	4.8	4.8						
3 (80)	1.5 (40)	Standard 30	0.64	42.1	31.3	22.2	18.0	15.4	—	—	—	—	—	—	—	—			
		Standard 40		42.1	37.9	28.1	23.2	20.0	—	—	—	—	—	—	—	—			
		Standard 50		42.1	42.1	33.1	27.9	24.3	—	—	—	—	—	—	—	—	—		
		Standard 60		42.1	42.1	37.3	31.9	28.1	—	—	—	—	—	—	—	—	—		
	1 (25)	Standard 30	0.28	15.5	15.5	13.7	12.3	11.0	10.1	8.9	7.7	7.1	—	—	—	—	—		
		Standard 40		15.5	15.5	15.5	14.7	13.4	12.5	11.2	9.8	9.1	—	—	—	—	—		
		Standard 50		15.5	15.5	15.5	15.5	15.3	14.3	13.0	11.6	10.8	—	—	—	—	—		
		Standard 60		15.5	15.5	15.5	15.5	15.5	15.5	14.5	13.2	12.4	—	—	—	—	—		
	5/8 (16)	Standard 30	0.10	4.8	4.8	4.8	4.8	4.8	4.8	4.5	4.4	4.6	4.6	4.4	4.1				
		Standard 40		4.8	4.8	4.8	4.8	4.8	4.8	4.8	4.8	4.8	4.8	4.8	4.8				
		Standard 50		4.8	4.8	4.8	4.8	4.8	4.8	4.8	4.8	4.8	4.8	4.8	4.8	4.8			
		Standard 60		4.8	4.8	4.8	4.8	4.8	4.8	4.8	4.8	4.8	4.8	4.8	4.8	4.8	4.8		
	4 (100)	2 (50)	Standard 40	0.94	65.8	53.6	40.7	34.5	30.2	24.1	21.1	15.0	—	—	—	—	—		
			Standard 50		65.8	61.5	48.4	41.6	36.6	29.6	26.0	18.6	—	—	—	—	—	—	
			Standard 60		65.8	65.8	54.9	47.8	42.5	34.8	30.6	22.1	—	—	—	—	—	—	
			Standard 70		65.8	65.8	60.3	53.3	47.9	39.6	35.1	25.6	—	—	—	—	—	—	
1.5 (40)		Standard 40	0.64	42.1	39.0	33.4	29.0	25.1	23.0	19.6	14.7	13.7	11.7	—	—	—	—		
		Standard 50		42.1	42.1	38.5	34.0	29.9	27.7	23.8	18.1	16.9	14.5	—	—	—	—		
		Standard 60		42.1	42.1	42.1	38.2	34.0	31.7	27.6	21.3	20.0	17.2	—	—	—	—		
		Standard 70		42.1	42.1	42.1	41.6	37.6	35.3	31.0	24.3	22.8	19.7	—	—	—	—		
1 (25)		Standard 40	0.28	15.5	15.5	15.5	14.7	13.9	12.0	11.2	12.5	11.9	10.5	9.5	7.9	6.9			
		Standard 50		15.5	15.5	15.5	15.5	15.5	13.8	13.0	14.4	13.7	12.3	11.3	9.6	8.4			
		Standard 60		15.5	15.5	15.5	15.5	15.5	15.3	14.5	15.5	15.2	13.9	12.8	11.0	9.7			
		Standard 70		15.5	15.5	15.5	15.5	15.5	15.5	15.5	15.5	15.5	15.5	15.1	14.1	12.3	11.0		
6 (150)		3 (80)	Standard 50	2.01	140.7	140.7	104.8	89.9	73.2	62.1	53.1	42.0	—	—	—	—	—		
			Standard 70		140.7	140.7	133.8	118.6	99.9	86.3	74.8	60.1	—	—	—	—	—	—	
			Standard 90		140.7	140.7	140.7	136.7	118.2	104.0	91.3	74.4	—	—	—	—	—	—	
			Standard 110		140.7	140.7	140.7	140.7	132.9	118.8	105.7	87.5	—	—	—	—	—	—	
	2 (50)	Standard 50	0.94	65.8	65.8	65.8	62.3	58.5	53.4	47.4	39.0	36.5	30.9	27.1	—	—	—		
		Standard 70		65.8	65.8	65.8	65.8	65.8	65.8	61.0	52.2	49.3	42.7	38.0	—	—	—		
		Standard 90		65.8	65.8	65.8	65.8	65.8	65.8	65.8	60.8	57.9	51.1	46.0	—	—	—		
		Standard 110		65.8	65.8	65.8	65.8	65.8	65.8	65.8	65.8	64.6	58.1	52.9	—	—	—		
	1.25 (32)	Standard 50	0.36	26.5	26.5	26.5	26.5	26.5	26.5	26.5	26.5	26.5	26.5	24.7	22.6	18.9	17.1		
		Standard 70		26.5	26.5	26.5	26.5	26.5	26.5	26.5	26.5	26.5	26.5	26.5	26.5	24.4	22.5		
		Standard 90		26.5	26.5	26.5	26.5	26.5	26.5	26.5	26.5	26.5	26.5	26.5	26.5	26.5	26.5	25.9	
		Standard 110		26.5	26.5	26.5	26.5	26.5	26.5	26.5	26.5	26.5	26.5	26.5	26.5	26.5	26.5	26.5	

表 3-10A 公称压力 ANSI Class 2500

多级降压式套筒的降压级数：1~24 级；多级降压式套筒的材质：SUS316

Table 3-10A BODY RATING ANSI Class 2500

Multi-stage Cage Pressure Drop Levels : 1~24 Levels ; Multi-stage Cage Material : SUS316

公称通径 Valve size inch (mm)	阀芯尺寸 Plug size inch (mm)	行程 Stroke mm	最小可控 Min.Cv	流向：低进高出 Flow direction : Under Plug Flow															
				1 lev	2 lev	4 lev	6 lev	8 lev	10 lev	12 lev	14 lev	16 lev	18 lev	20 lev	22 lev	24 lev			
				1.5 (40)	5/8 (16)	Standard 20	0.10	4.8	4.8	4.5	3.8	3.6	3.1						
		Standard 30	4.8	4.8	4.8	4.8		4.8	4.3										
		Standard 40	4.8	4.8	4.8	4.8		4.8	4.8										
2 (50)	1 (25)	Standard 25	0.28	15.5	13.8	11.7	9.7	9.5	7.4	5.9	—	—							
		Standard 30		15.5	15.2	13.1	11.1	10.9	8.6	6.9	—	—							
		Standard 40		15.5	15.5	15.3	13.4	13.2	10.7	8.7	—	—							
	5/8 (16)	Standard 25	0.10	4.8	4.8	4.8	4.6	4.3	4.1	3.8	4.0	4.0							
		Standard 30		4.8	4.8	4.8	4.8	4.8	4.6	4.2	4.4	4.4							
		Standard 40		4.8	4.8	4.8	4.8	4.8	4.8	4.8	4.8	4.8	4.8						
3 (80)	1.5 (40)	Standard 30	0.64	41.8	29.7	21.7	17.6	15.0	12.2	—	—	—	—	—					
		Standard 40		42.1	35.9	27.3	22.5	19.3	15.8	—	—	—	—	—					
		Standard 50		42.1	41.4	32.8	27.6	24.0	19.7	—	—	—	—	—					
		Standard 60		42.1	42.1	36.8	31.4	27.6	22.9	—	—	—	—	—					
	1 (25)	Standard 30	0.28	15.5	15.2	13.1	11.7	10.9	9.5	8.8	7.2	6.6	—	—					
		Standard 40		15.5	15.5	15.3	14.0	13.2	11.7	11.0	9.1	8.4	—	—					
		Standard 50		15.5	15.5	15.5	15.5	15.2	13.8	13.0	11.1	10.3	—	—					
		Standard 60		15.5	15.5	15.5	15.5	15.5	15.2	14.5	12.5	11.7	—	—					
	5/8 (16)	Standard 30	0.10	4.8	4.8	4.8	4.8	4.8	4.8	4.3	4.2	4.4	4.4	4.4	4.4	4.1			
		Standard 40		4.8	4.8	4.8	4.8	4.8	4.8	4.8	4.8	4.8	4.8	4.8	4.8	4.8			
		Standard 50		4.8	4.8	4.8	4.8	4.8	4.8	4.8	4.8	4.8	4.8	4.8	4.8	4.8	4.8		
		Standard 60		4.8	4.8	4.8	4.8	4.8	4.8	4.8	4.8	4.8	4.8	4.8	4.8	4.8	4.8		
4 (100)	2 (50)	Standard 40	0.94	65.8	49.1	39.0	32.9	29.5	23.0	20.1	14.5	13.5	—	—	—	—			
		Standard 50		65.8	57.9	47.4	40.6	36.6	28.8	25.4	18.4	17.2	—	—	—	—			
		Standard 60		65.8	63.9	53.5	46.4	42.2	33.6	29.7	21.7	20.3	—	—	—	—			
		Standard 70		65.8	65.8	59.5	52.4	48.0	38.8	34.4	25.4	23.8	—	—	—	—			
	1.5 (40)	Standard 40	0.64	42.1	37.0	28.4	26.2	23.3	21.4	19.5	14.3	13.3	11.1	10.2	—	—			
		Standard 50		42.1	42.1	33.9	31.6	28.5	26.3	24.1	17.9	16.8	14.1	13.0	—	—			
		Standard 60		42.1	42.1	37.9	35.6	32.3	30.0	27.7	20.9	19.6	16.5	15.3	—	—			
		Standard 70		42.1	42.1	41.6	39.4	36.2	33.9	31.5	24.2	22.8	19.3	17.8	—	—			
	1 (25)	Standard 40	0.28	15.5	15.5	14.8	14.0	13.2	11.7	10.4	11.7	11.6	10.1	9.4	7.6	6.7			
		Standard 50		15.5	15.5	15.5	15.5	15.2	13.8	12.5	13.8	13.7	12.1	11.4	9.4	8.3			
		Standard 60		15.5	15.5	15.5	15.5	15.5	15.2	13.9	15.2	15.1	13.5	12.8	10.8	9.6			
		Standard 70		15.5	15.5	15.5	15.5	15.5	15.5	15.5	15.3	15.5	15.5	14.9	14.2	12.2	10.9		

表 3-10B 公称压力 ANSI Class 2500

多级降压式套筒的降压级数：1~24 级；多级降压式套筒的材质：SUS316

Table 3-10B BODY RATING ANSI Class 2500

Multi-stage Cage Pressure Drop Levels : 1~24 Levels ; Multi-stage Cage Material : SUS316

公称通径 Valve size inch (mm)	阀芯尺寸 Plug size inch (mm)	行程 Stroke mm	最小可控 Min.Cv	流向：低进高出 Flow direction : Under Plug Flow													
				1 lev	2 lev	4 lev	6 lev	8 lev	10 lev	12 lev	14 lev	16 lev	18 lev	20 lev	22 lev	24 lev	
6 (150)	3 (80)	Standard 50	2.01	140.7	130.8	103.2	88.4	71.9	63.2	52.0	41.2	—	—	—	—	—	
		Standard 70		140.7	140.7	130.8	115.5	96.8	86.4	72.2	57.9	—	—	—	—	—	
		Standard 90		140.7	140.7	140.7	133.0	114.3	103.3	87.7	71.2	—	—	—	—	—	
		Standard 110		140.7	140.7	140.7	140.7	130.7	119.8	103.5	85.5	—	—	—	—	—	
	2 (50)	Standard 50	0.94	65.8	65.8	65.8	61.6	57.8	54.2	46.6	38.3	37.8	30.3	26.6	—	—	
		Standard 70		65.8	65.8	65.8	65.8	65.8	65.8	59.5	50.7	50.1	41.3	36.7	—	—	
		Standard 90		65.8	65.8	65.8	65.8	65.8	65.8	65.8	59.0	58.4	49.3	44.3	—	—	
		Standard 110		65.8	65.8	65.8	65.8	65.8	65.8	65.8	65.8	65.8	57.0	51.9	—	—	
	1.25 (32)	Standard 50	0.36	26.5	26.5	26.5	26.5	26.5	26.5	26.5	26.5	26.5	26.5	24.4	22.3	19.4	16.8
		Standard 70		26.5	26.5	26.5	26.5	26.5	26.5	26.5	26.5	26.5	26.5	26.5	26.5	24.6	21.9
		Standard 90		26.5	26.5	26.5	26.5	26.5	26.5	26.5	26.5	26.5	26.5	26.5	26.5	26.5	25.2
		Standard 110		26.5	26.5	26.5	26.5	26.5	26.5	26.5	26.5	26.5	26.5	26.5	26.5	26.5	26.5
8 (200)	4 (100)	Standard 60	3.17	231.9	198.3	154.1	126.1	105.5	88.9	74.8	58.4	54.6	—	—	—	—	
		Standard 80		231.9	231.9	193.1	162.4	138.3	118.0	100.1	78.8	73.8	—	—	—	—	
		Standard 100		231.9	231.9	222.6	192.3	166.7	144.2	123.6	98.4	92.2	—	—	—	—	
		Standard 110		231.9	231.9	231.9	203.2	177.5	154.5	133.0	106.4	99.9	—	—	—	—	
	3 (80)	Standard 60	2.01	140.7	140.7	128.5	115.3	97.2	83.8	71.6	56.9	58.7	44.6	41.1	—	—	
		Standard 80		140.7	140.7	140.7	138.8	121.0	106.7	92.9	75.2	77.5	59.7	55.2	—	—	
		Standard 100		140.7	140.7	140.7	140.7	138.7	124.9	110.8	91.5	94.1	73.8	68.5	—	—	
		Standard 110		140.7	140.7	140.7	140.7	140.7	131.5	117.5	97.9	100.5	79.4	73.8	—	—	
	2 (50)	Standard 60	0.94	65.8	65.8	65.8	65.8	63.7	60.3	59.2	50.0	51.3	41.0	38.3	31.1	25.7	
		Standard 80		65.8	65.8	65.8	65.8	65.8	65.8	65.8	61.2	62.4	51.9	48.9	40.6	34.1	
		Standard 100		65.8	65.8	65.8	65.8	65.8	65.8	65.8	65.8	65.8	60.4	57.4	48.8	41.6	
		Standard 110		65.8	65.8	65.8	65.8	65.8	65.8	65.8	65.8	65.8	63.4	60.4	51.9	44.5	
10 (250)	6 (150)	Standard 90	5.93	453.3	411.7	327.2	270.2	227.2	192.2	160.7	—	—	—	—	—		
		Standard 100		453.3	442.4	358.8	299.7	253.9	215.9	181.2	—	—	—	—	—		
		Standard 150		453.3	453.3	453.3	395.9	345.7	300.7	257.0	—	—	—	—	—		
		Standard 170		453.3	453.3	453.3	428.2	378.6	332.6	286.8	—	—	—	—	—		
	5 (125)	Standard 80	4.50	345.8	343.1	279.8	234.4	199.0	169.5	142.4	112.3	122.2	90.2	80.9	69.0	52.6	
		Standard 100		345.8	345.8	324.2	278.6	240.7	207.6	176.2	140.3	152.2	113.3	101.9	87.1	66.5	
		Standard 150		345.8	345.8	345.8	345.8	314.4	279.4	243.3	198.8	213.9	163.1	147.4	126.9	97.7	
		Standard 170		345.8	345.8	345.8	345.8	338.5	304.5	268.1	221.6	237.6	183.3	166.2	143.6	110.9	
12 (300)	8 (200)	Standard 90	7.59	747.4	532.1	404.3	325.9	270.1	226.3	192.1	—	—	—	—	—		
		Standard 100		747.4	584.0	450.5	365.8	304.5	255.8	217.5	—	—	—	—	—		
		Standard 150		747.4	741.5	605.9	507.7	431.1	367.2	315.1	—	—	—	—	—		
		Standard 200		747.4	747.4	719.0	621.3	538.8	466.1	404.5	—	—	—	—	—		
	6 (150)	Standard 90	5.93	453.3	444.1	361.4	302.2	256.1	217.9	186.9	148.4	159.1	114.5	103.9	90.6	67.7	
		Standard 100		453.3	453.3	393.2	333.1	284.8	243.9	210.0	167.6	179.4	129.6	117.7	102.8	76.9	
		Standard 150		453.3	453.3	453.3	429.6	380.1	334.1	293.4	239.2	254.6	187.9	171.4	150.3	113.2	
		Standard 200		453.3	453.3	453.3	453.3	447.9	403.5	361.5	301.7	319.2	241.5	221.4	195.4	148.4	

图 5 本体部构造

Fig. 5 BODY SECTION VIEW

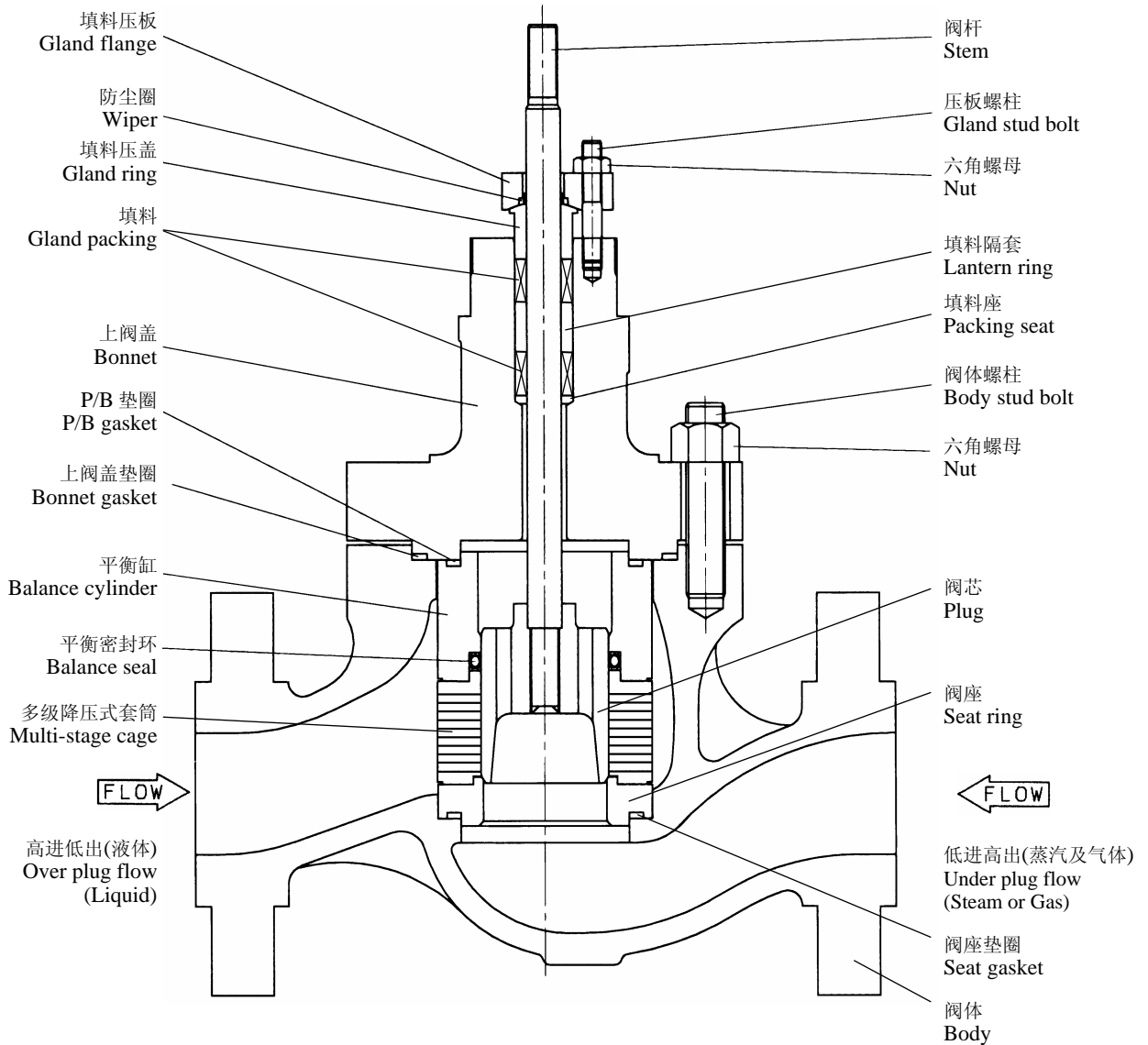


表 4 最大允许压差 (单位: MPa)

Table 4 ALLOWABLE PRESSURE DROPS (UNIT : MPa)

阀门口径与执行机构的标准组合请参见第 30~39 页。

See pages 30~39, for valve size-actuator size combinations.

DA : 正作用 (气压增加时阀闭) Direct action (Air to valve shut)

RA : 反作用 (气压增加时阀开) Reverse action (Air to valve open)

表 4-1 薄膜式执行机构 (5200LA)

Table 4-1 DIAPHRAGM ACTUATOR(5200LA)

表 4-1A 填料: 聚四氟乙烯碳纤维 (P6528+P4519) / 介质温度: +230℃ 以下

Table 4-1A PACKING : TEFLON CARBON FIBER/MEDIUM TEMPERATURE : UNDER +230℃

公称压力 Body rating	执行机构 尺寸 Actuator size	气源压力 Air supply (不平衡) (Off-balance) KPa G	阀座形式 Seat ring	平衡密封环: 强化聚四氟乙烯 / SUS316 Balance seal : Reinforced Teflon/SUS316													
				阀芯尺寸 Plug size (inch)													
				1/2	5/8	1	1.25	1.5	2	2.5	3	4	5	6	7	8	10
ANSI Class 900、1500	350	300 (80)	金属密封	18.30	17.70	16.80	16.40	13.90	9.90	—	—	—	—	—	—	—	—
			软密封	10.19	10.19	10.19	10.19	10.19	9.90	—	—	—	—	—	—	—	—
	450	300 (80)	金属密封	23.90	25.50	22.60	22.30	20.90	20.30	19.20	14.90	10.20	—	—	—	—	—
			软密封	10.19	10.19	10.19	10.19	10.19	10.19	10.19	10.19	10.19	10.19	—	—	—	—
	650	300 (80)	金属密封	—	—	—	25.50	—	25.50	25.50	23.00	22.30	21.70	19.00	15.90	13.20	10.10
			软密封	—	—	—	10.19	—	10.19	10.19	10.19	10.19	10.19	10.19	10.19	10.19	10.19
ANSI Class 2500	350	300 (80)	金属密封	—	17.70	16.80	16.40	14.80	—	—	—	—	—	—	—	—	
			软密封	—	10.19	10.19	10.19	10.19	—	—	—	—	—	—	—	—	
	450	300 (80)	金属密封	—	35.70	22.60	22.30	20.90	20.30	19.20	15.80	11.20	—	—	—	—	
			软密封	—	10.19	10.19	10.19	10.19	10.19	10.19	10.19	10.19	—	—	—	—	
	650	300 (80)	金属密封	—	—	24.80	24.60	23.90	23.70	23.40	23.00	22.30	21.70	19.00	15.90	13.20	—
			软密封	—	—	10.19	10.19	10.19	10.19	10.19	10.19	10.19	10.19	10.19	10.19	10.19	—

表 4-1B 填料: 柔性石墨 / 介质温度: -196~+565℃

Table 4-1B PACKING : GRAFOIL/MEDIUM TEMPERATURE : -196~+565℃

公称压力 Body rating	执行机构 尺寸 Actuator size	气源压力 Air supply (不平衡) (Off-balance) KPa G	阀座形式 Seat ring	平衡密封环: 柔性石墨 Balance seal : GRAFOIL													
				阀芯尺寸 Plug size (inch)													
				1/2	5/8	1	1.25	1.5	2	2.5	3	4	5	6	7	8	10
ANSI Class 900、1500	350	300 (80)	金属密封	11.50	—	—	—	—	—	—	—	—	—	—	—	—	
	450			17.20	17.20	14.20	13.10	—	—	—	—	—	—	—	—		
	650			—	—	—	17.20	17.20	16.50	15.50	14.40	—	—	—	—		
ANSI Class 2500	350	300 (80)	金属密封	—	—	—	—	—	—	—	—	—	—	—	—		
	450			—	17.20	14.20	13.10	—	—	—	—	—	—	—			
	650			—	—	—	17.20	17.20	16.50	15.50	14.40	—	—	—	—		

表 4-2 气缸式双动作型执行机构 (6300LA)

Table 4-2 DOUBLE ACTING CYLINDER ACTUATOR(6300LA)

表 4-2A 填料：聚四氟乙烯碳纤维 (P6528+P4519) / 介质温度：+230℃ 以下

Table 4-2A PACKING : TEFLON CARBON FIBER /MEDIUM TEMPERATURE : UNDER +230℃

公称压力 Body rating	执行机构尺寸 Actuator size	气源压力 Air supply KPa G	阀座形式 Seat ring	平衡密封环：强化聚四氟乙烯 / SUS316 Balance seal : Reinforced Teflon/SUS316															
				阀芯尺寸 Plug size (inch)															
				1/2	5/8	1	1.25	1.5	2	2.5	3	4	5	6	7	8	10		
ANSI Class 900、1500	200	400	金属密封	25.50	25.50	25.50	25.50	25.50	25.50	25.50	25.50	25.50	—	—	—	—	—	—	
			软密封	10.19	10.19	10.19	10.19	10.19	10.19	10.19	10.19	10.19	10.19	—	—	—	—	—	—
		500	金属密封	25.50	25.50	25.50	25.50	25.50	25.50	25.50	25.50	25.50	25.50	25.50	—	—	—	—	—
			软密封	10.19	10.19	10.19	10.19	10.19	10.19	10.19	10.19	10.19	10.19	10.19	—	—	—	—	—
	300	400	金属密封	25.50	25.50	25.50	25.50	25.50	25.50	25.50	25.50	25.50	25.50	25.50	—	—	—	—	—
			软密封	10.19	10.19	10.19	10.19	10.19	10.19	10.19	10.19	10.19	10.19	10.19	—	—	—	—	—
		500	金属密封	25.50	25.50	25.50	25.50	25.50	25.50	25.50	25.50	25.50	25.50	25.50	25.50	—	—	—	—
			软密封	10.19	10.19	10.19	10.19	10.19	10.19	10.19	10.19	10.19	10.19	10.19	10.19	—	—	—	—
	450	400	金属密封	—	—	—	—	—	—	25.50	25.50	25.50	25.50	25.50	25.50	25.50	25.50	25.50	25.50
			软密封	—	—	—	—	—	—	10.19	10.19	10.19	10.19	10.19	10.19	10.19	10.19	10.19	10.19
		500	金属密封	—	—	—	—	—	—	—	25.50	25.50	25.50	25.50	25.50	25.50	25.50	25.50	25.50
			软密封	—	—	—	—	—	—	—	10.19	10.19	10.19	10.19	10.19	10.19	10.19	10.19	10.19
	600	400	金属密封	—	—	—	—	—	—	—	—	—	—	—	25.50	25.50	25.50	25.50	25.50
			软密封	—	—	—	—	—	—	—	—	—	—	—	—	10.19	10.19	10.19	10.19
		500	金属密封	—	—	—	—	—	—	—	—	—	—	—	—	25.50	25.50	25.50	25.50
			软密封	—	—	—	—	—	—	—	—	—	—	—	—	10.19	10.19	10.19	10.19
	ANSI Class 2500	200	400	金属密封	—	40.00	38.90	38.30	36.10	35.10	34.10	30.70	—	—	—	—	—	—	—
				软密封	—	10.19	10.19	10.19	10.19	10.19	10.19	10.19	10.19	—	—	—	—	—	—
500			金属密封	—	42.50	42.50	42.50	42.50	42.50	42.50	42.50	40.80	—	—	—	—	—	—	—
			软密封	—	10.19	10.19	10.19	10.19	10.19	10.19	10.19	10.19	—	—	—	—	—	—	—
300		400	金属密封	—	42.50	42.50	42.50	42.50	42.50	42.50	42.50	42.50	38.50	37.50	—	—	—	—	
			软密封	—	10.19	10.19	10.19	10.19	10.19	10.19	10.19	10.19	10.19	10.19	—	—	—	—	—
		500	金属密封	—	42.50	42.50	42.50	42.50	42.50	42.50	42.50	42.50	42.50	42.50	42.50	—	—	—	—
			软密封	—	10.19	10.19	10.19	10.19	10.19	10.19	10.19	10.19	10.19	10.19	10.19	—	—	—	—
450		400	金属密封	—	—	—	—	—	—	42.50	—	42.50	42.50	42.50	42.50	42.50	42.50	42.50	—
			软密封	—	—	—	—	—	—	10.19	—	10.19	10.19	10.19	10.19	10.19	10.19	10.19	—
		500	金属密封	—	—	—	—	—	—	—	42.50	—	42.50	42.50	42.50	42.50	42.50	42.50	—
			软密封	—	—	—	—	—	—	—	10.19	—	10.19	10.19	10.19	10.19	10.19	10.19	—
600		400	金属密封	—	—	—	—	—	—	—	—	—	—	42.50	42.50	42.50	—	42.50	—
			软密封	—	—	—	—	—	—	—	—	—	—	—	10.19	10.19	10.19	—	10.19
		500	金属密封	—	—	—	—	—	—	—	—	—	—	—	42.50	42.50	42.50	—	42.50
			软密封	—	—	—	—	—	—	—	—	—	—	—	10.19	10.19	10.19	—	10.19

表 4-2B 填料：柔性石墨 / 介质温度：-196~+565℃

Table 4-2B PACKING : GRAFOIL/MEDIUM TEMPERATURE : -196~+565℃

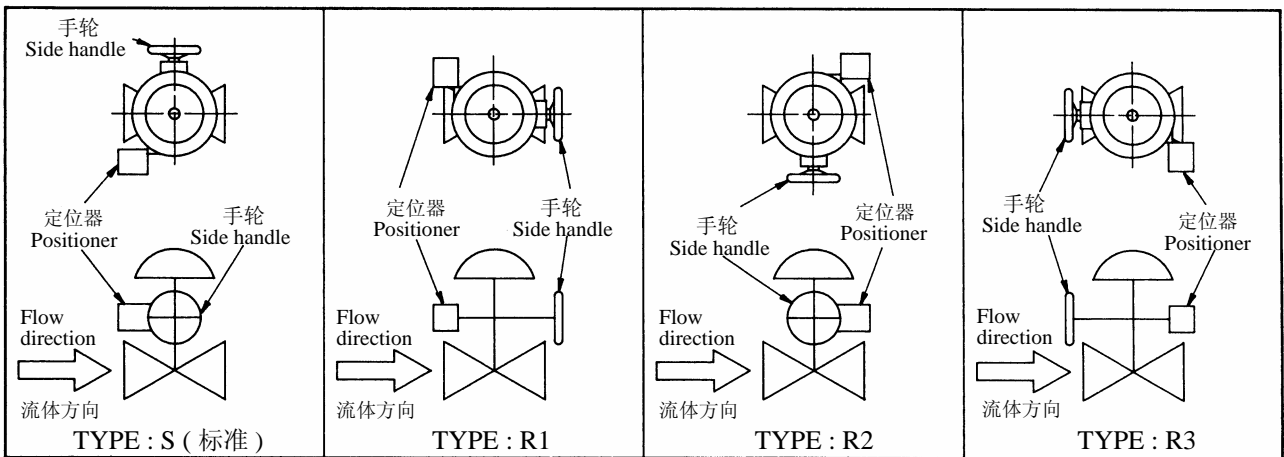
公称压力 Body rating	执行机构尺寸 Actuator size	气源压力 Air supply KPa G	阀座形式 Seat ring	平衡密封环：柔性石墨 Balance seal : GRAFOIL														
				阀芯尺寸 Plug size (inch)														
				1/2	5/8	1	1.25	1.5	2	2.5	3	4	5	6	7	8	10	
ANSI Class 900、1500	300	400	金属密封	17.20	17.20	17.20	17.20	17.20	17.20	17.20	17.20	17.20	—	—	—	—	—	
		500		17.20	17.20	17.20	17.20	17.20	17.20	17.20	17.20	17.20	17.20	17.20	17.20	17.20	—	
	450	400		—	—	—	—	—	17.20	17.20	17.20	17.20	17.20	17.20	17.20	17.20	17.20	—
		500		—	—	—	—	—	17.20	17.20	17.20	17.20	17.20	17.20	17.20	17.20	17.20	—
	600	400		—	—	—	—	—	—	—	—	—	17.20	17.20	17.20	17.20	17.20	17.20
		500		—	—	—	—	—	—	—	—	—	17.20	17.20	17.20	17.20	17.20	17.20
ANSI Class 2500	300	400	金属密封	—	17.20	17.20	17.20	17.20	17.20	17.20	17.20	17.20	—	—	—	—	—	
		500		—	17.20	17.20	17.20	17.20	17.20	17.20	17.20	17.20	17.20	17.20	17.20	17.20	—	
	450	400		—	—	—	—	—	17.20	—	17.20	17.20	17.20	17.20	17.20	17.20	17.20	—
		500		—	—	—	—	—	17.20	—	17.20	17.20	17.20	17.20	17.20	17.20	17.20	—
	600	400		—	—	—	—	—	—	—	—	17.20	17.20	17.20	—	17.20	—	
		500		—	—	—	—	—	—	—	—	17.20	17.20	17.20	—	17.20	—	

图 6 控制阀安装方位 (5200LA)

Fig. 6 ACTUATOR MOUNTING FORMS FOR 5200LA

图 6-1 执行机构尺寸：350、450

Fig. 6-1 ACTUATOR SIZE : 350、450

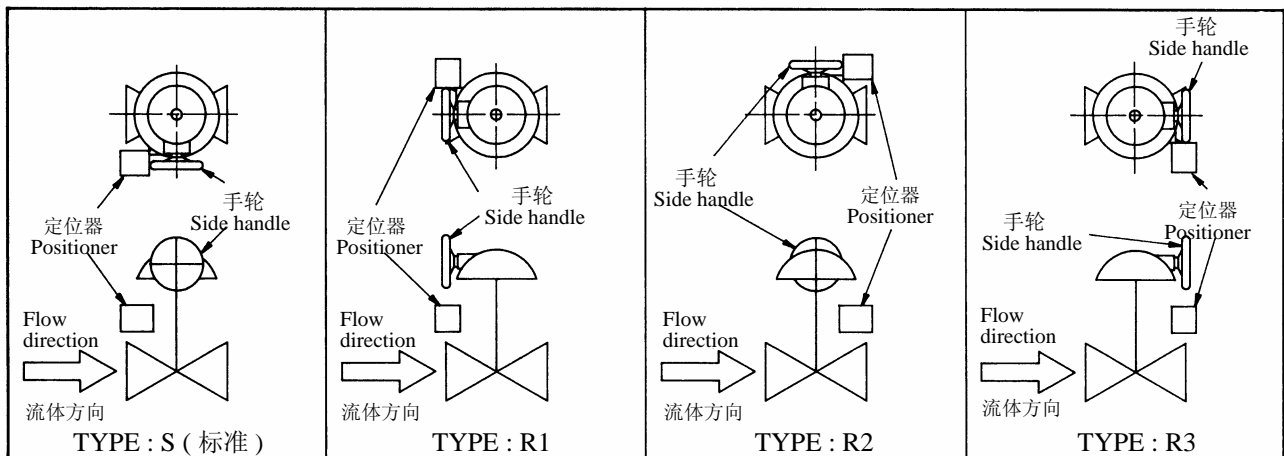


注) 安装位置为非标准时, 请指定安装位置的形式 (TYPE)。

NOTE : Type S is automatically applied, unless otherwise specified.

图 6-2. 执行机构尺寸：650

Fig. 6-2 ACTUATOR SIZE : 650



注) 安装位置为非标准时, 请指定安装位置的形式 (TYPE)。

NOTE : Type S is automatically applied, unless otherwise specified.

表 5 与标准执行机构组合时的产品重量（单位：kg）

Table 5 NET WEIGHT OF STANDARD VALVE AND ACTUATOR COMBINED (UNIT: kg)

本表中所列重量，均为执行机构和本体部的标准产品重量，不包括附件、手动机构等。

Only standard types are represented. Weights of accessories, a handwheel and the like are not included.

表 5-1 上阀盖形式：标准型

Table 5-1 BONNET TYPE : STANDARD TYPE

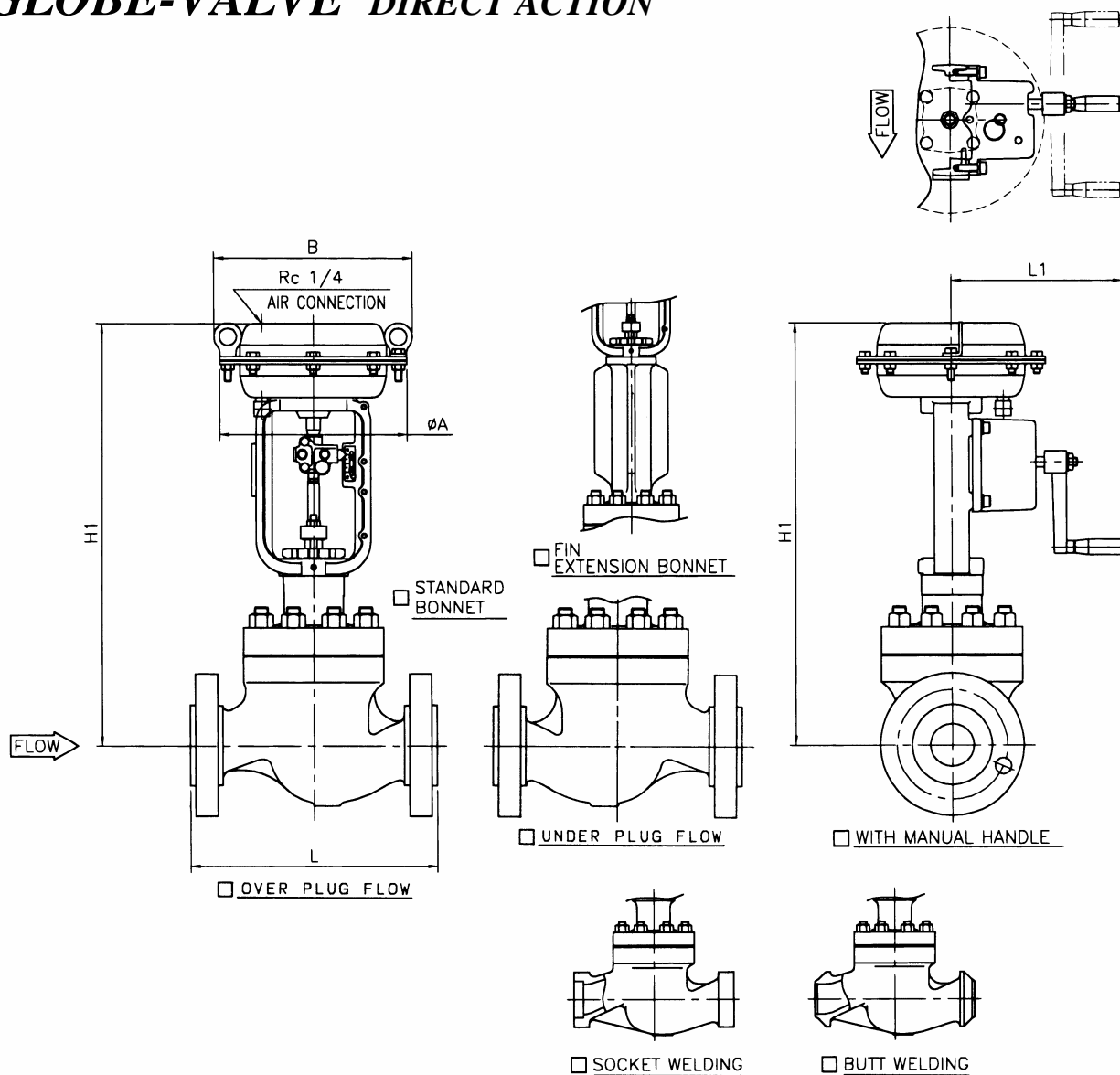
公称通径 Valves size Inch (mm)	本体规格 Body rating class	薄膜式执行机构 Diaphragm actuator size 5200LA					双动作气缸式执行机构 Double acting Cylinder actuator size 6300LA			
		ANSI Class	350	450S	450L	650S	650L	200	300	450
1 (25)	900、1500	87	115				105			
	2500	102	130				120			
1.5 (40)	900、1500	112	140				130	165		
	2500	137	165				155	190		
2 (50)	900、1500	147	175				165	200		
	2500	182	210				200	235		
3 (80)	900、1500	257	285				275	310		
	2500	322	350				340	375		
4 (100)	900、1500		328	350	455			380	485	
	2500		418	440	545			465	570	
6 (150)	900、1500			525	630	661			660	765
	2500			635	740	771			770	870
8 (200)	900、1500			725	830	861			850	950
	2500			875	980	1011			945	1050
10 (250)	900、1500					1263			1290	1390
	2500					1490			1520	1640
12 (300)	900、1500					1778			1805	1905
	2500									

表 5-2 上阀盖形式：散热片型

Table 5-2 BONNET TYPE : FIN-EXTENSION TYPE

公称通径 Valves size Inch (mm)	本体规格 Body rating class	薄膜式执行机构 Diaphragm actuator size 5200LA					双动作气缸式执行机构 Double acting Cylinder actuator size 6300LA			
		ANSI Class	350	450S	450L	650S	650L	200	300	450
1 (25)	900、1500	92	120							
	2500	107	135							
1.5 (40)	900、1500	117	145					170		
	2500	142	170					195		
2 (50)	900、1500	157	185					210		
	2500	192	220					245		
3 (80)	900、1500	267	295					320		
	2500	332	360					395		
4 (100)	900、1500		358	380	485			405	510	
	2500		473	465	570			495	600	
6 (150)	900、1500			560	665	695			690	795
	2500			670	775	806			810	915
8 (200)	900、1500			—	—	—			895	1000
	2500			920	1025	1056			995	1100
10 (250)	900、1500									1450
	2500									1600
12 (300)	900、1500									1985
	2500									

GLOBE-VALVE DIRECT ACTION



DIMENSIONS

UNIT : mm

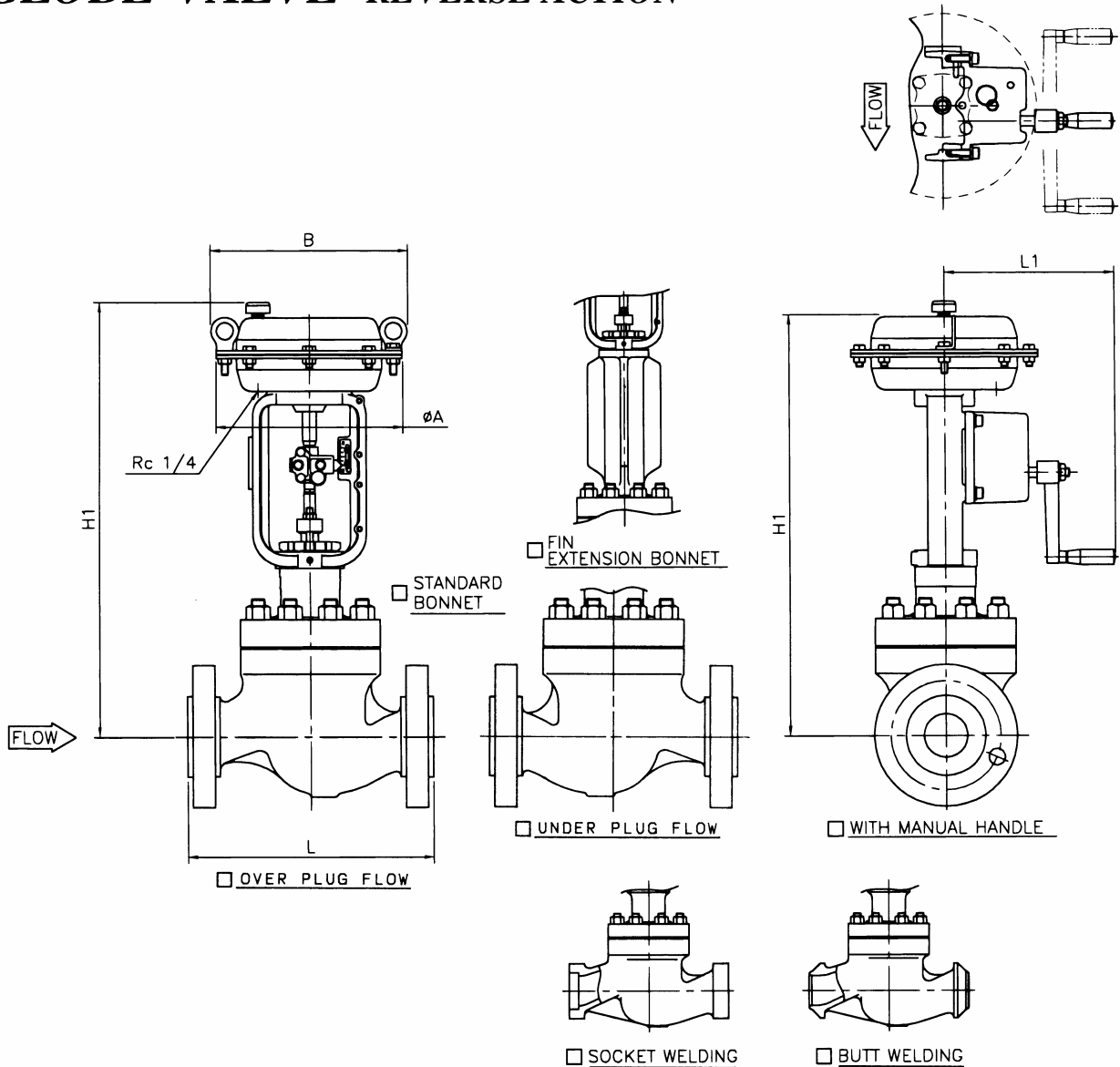
VALVE SIZE	FACE TO FACE : L						ANSI 900#, 1500# BONNET		ANSI 2500# BONNET		ACTUATOR			CODE No.
	ANSI 900# RF	ANSI 900# RTJ	ANSI 1500# RF	ANSI 1500# RTJ	ANSI 2500# RF	ANSI 2500# RTJ	STD.	FIN EXT.	STD.	FIN EXT.	SIZE A	SIZE B	WITH MANUAL HANDLE L1	
	ANSI 900# SW	ANSI 900# BW	ANSI 1500# SW	ANSI 1500# BW	ANSI 2500# SW	ANSI 2500# BW								
01 <input type="checkbox"/> 1" (25A)	292	292	292	292	318	318	660	760	705	805	<input type="checkbox"/> 350	367	230	5235LA
							725	825	770	870	<input type="checkbox"/> 450	472	336	524SLA
93 <input type="checkbox"/> 1.5" (40A)	333	333	333	333	447	450	695	845	745	895	<input type="checkbox"/> 350	367	230	5235LA
							760	910	810	960	<input type="checkbox"/> 450	472	336	524SLA
02 <input type="checkbox"/> 2" (50A)	375	378	375	378	437	440	710	860	775	925	<input type="checkbox"/> 350	367	230	5235LA
							775	925	840	990	<input type="checkbox"/> 450	472	336	524SLA
03 <input type="checkbox"/> 3" (80A)	440	443	460	463	498	505	780	930	835	985	<input type="checkbox"/> 350	367	230	5235LA
							845	995	900	1050	<input type="checkbox"/> 450	472	336	524SLA
04 <input type="checkbox"/> 4" (100A)	510	513	530	533	566	575	915	1065	975	1125	<input type="checkbox"/> 450	472	336	524SLA

*FLANGE IS FOLLOWING TO A STANDARD WHICH IS DESCRIBED ON SPECIFICATION SHEET.

NOTE:

DRAWING No.	
E - 510D -	5235LA - D - N 524SLA - D - S
REV	KOSO
A	

GLOBE-VALVE REVERSE ACTION



DIMENSIONS

UNIT : mm

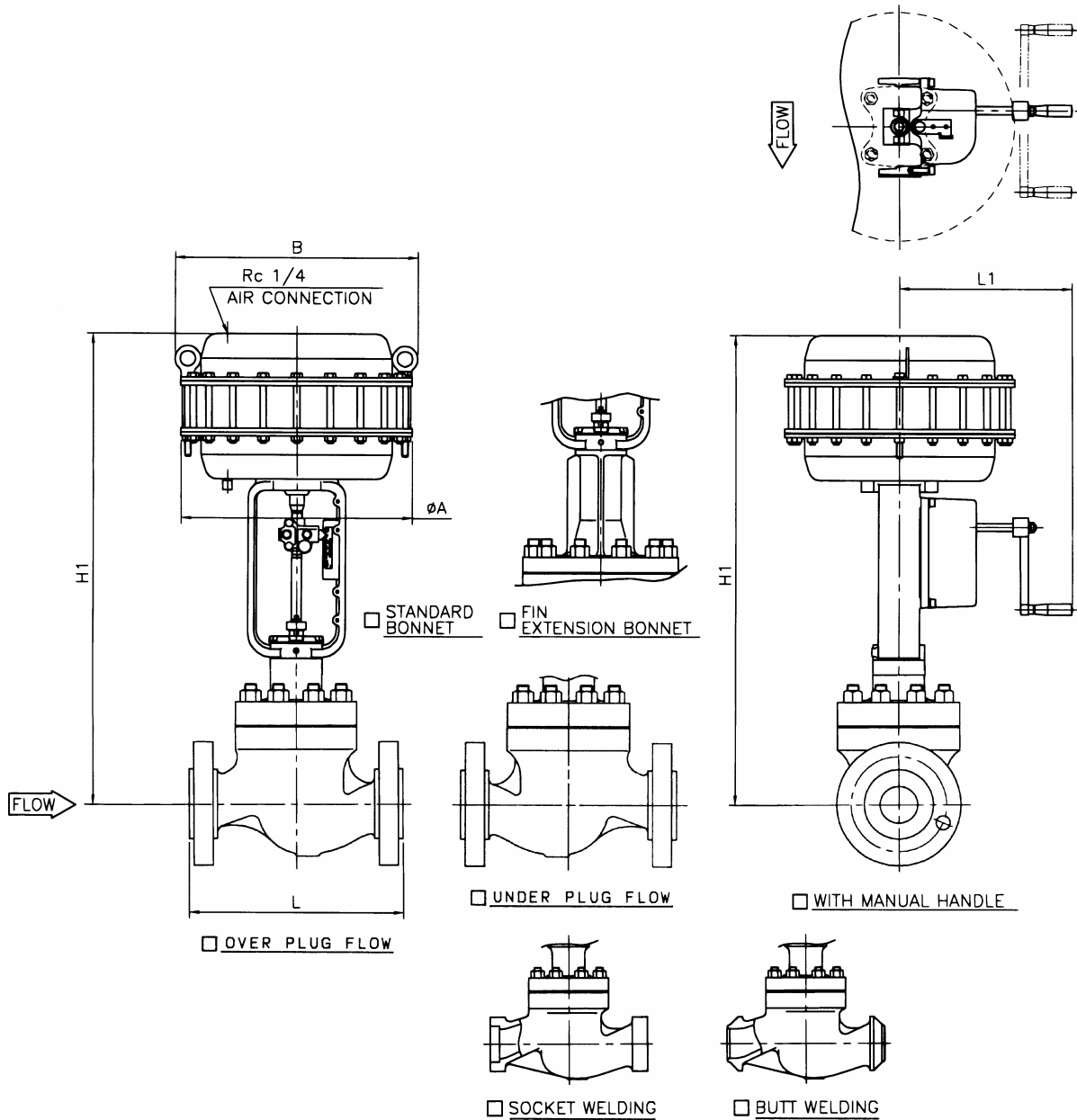
VALVE SIZE	FACE TO FACE : L						ANSI 900#, 1500#		ANSI 2500#		ACTUATOR			CODE No.	
	ANSI 900# RF	ANSI 900# RTJ	ANSI 1500# RF	ANSI 1500# RTJ	ANSI 2500# RF	ANSI 2500# RTJ	BONNET		BONNET		SIZE	WITH MANUAL HANDLE	L1		
	ANSI 900# SW	ANSI 900# BW	ANSI 1500# SW	ANSI 1500# BW	ANSI 2500# SW	ANSI 2500# BW	STD.	FIN EXT.	STD.	FIN EXT.					A
CODE No.							H1		H1						
01	<input type="checkbox"/> 1" (25A)	292	292	292	292	318	318	700	800	745	845	<input type="checkbox"/> 350	367	230	5235LA
								765	865	810	910	<input type="checkbox"/> 450	472	336	524SLA
93	<input type="checkbox"/> 1.5" (40A)	333	333	333	333	447	450	735	885	785	935	<input type="checkbox"/> 350	367	230	5235LA
								800	950	850	1000	<input type="checkbox"/> 450	472	336	524SLA
02	<input type="checkbox"/> 2" (50A)	375	378	375	378	437	440	750	900	815	965	<input type="checkbox"/> 350	367	230	5235LA
								815	965	880	1030	<input type="checkbox"/> 450	472	336	524SLA
03	<input type="checkbox"/> 3" (80A)	440	443	460	463	498	505	820	970	875	1025	<input type="checkbox"/> 350	367	230	5235LA
								885	1035	940	1090	<input type="checkbox"/> 450	472	336	524SLA
04	<input type="checkbox"/> 4" (100A)	510	513	530	533	566	575	955	1105	1015	1165	<input type="checkbox"/> 450	472	336	524SLA

*FLANGE IS FOLLOWING TO A STANDARD WHICH IS DESCRIBED ON SPECIFICATION SHEET.

NOTE:

DRAWING No.	
E - 510D - 5235LA - R - N 524SLA - R - S	
REV	KOSO
A	

GLOBE-VALVE DIRECT ACTION



DIMENSIONS

UNIT : mm

VALVE SIZE	FACE TO FACE : L						ANSI 900#, 1500# BONNET		ANSI 2500# BONNET		ACTUATOR			
	ANSI 900# RF	ANSI 900# RTJ	ANSI 1500# RF	ANSI 1500# RTJ	ANSI 2500# RF	ANSI 2500# RTJ	STD.	FIN EXT.	STD.	FIN EXT.	SIZE	B	WITH MANUAL HANDLE	CODE No.
CODE No.	ANSI 900# SW	ANSI 900# BW	ANSI 1500# SW	ANSI 1500# BW	ANSI 2500# SW	ANSI 2500# BW	H1		H1		A		L1	
04 <input type="checkbox"/> 4" (100A)	510	513	530	533	566	575	915	1065	975	1125	<input type="checkbox"/> 450	472	336	524LLA
06 <input type="checkbox"/> 6" (150A)	715	718	770	776	820	833	1095	1245	1155	1305	<input type="checkbox"/> 450	472	336	524LLA
08 <input type="checkbox"/> 8" (200A)	854	857	911	920	1279	1295	1165	1315	1245	1395	<input type="checkbox"/> 450	472	336	524LLA

*FLANGE IS FOLLOWING TO A STANDARD WHICH IS DESCRIBED ON SPECIFICATION SHEET.

NOTE:

DRAWING No.

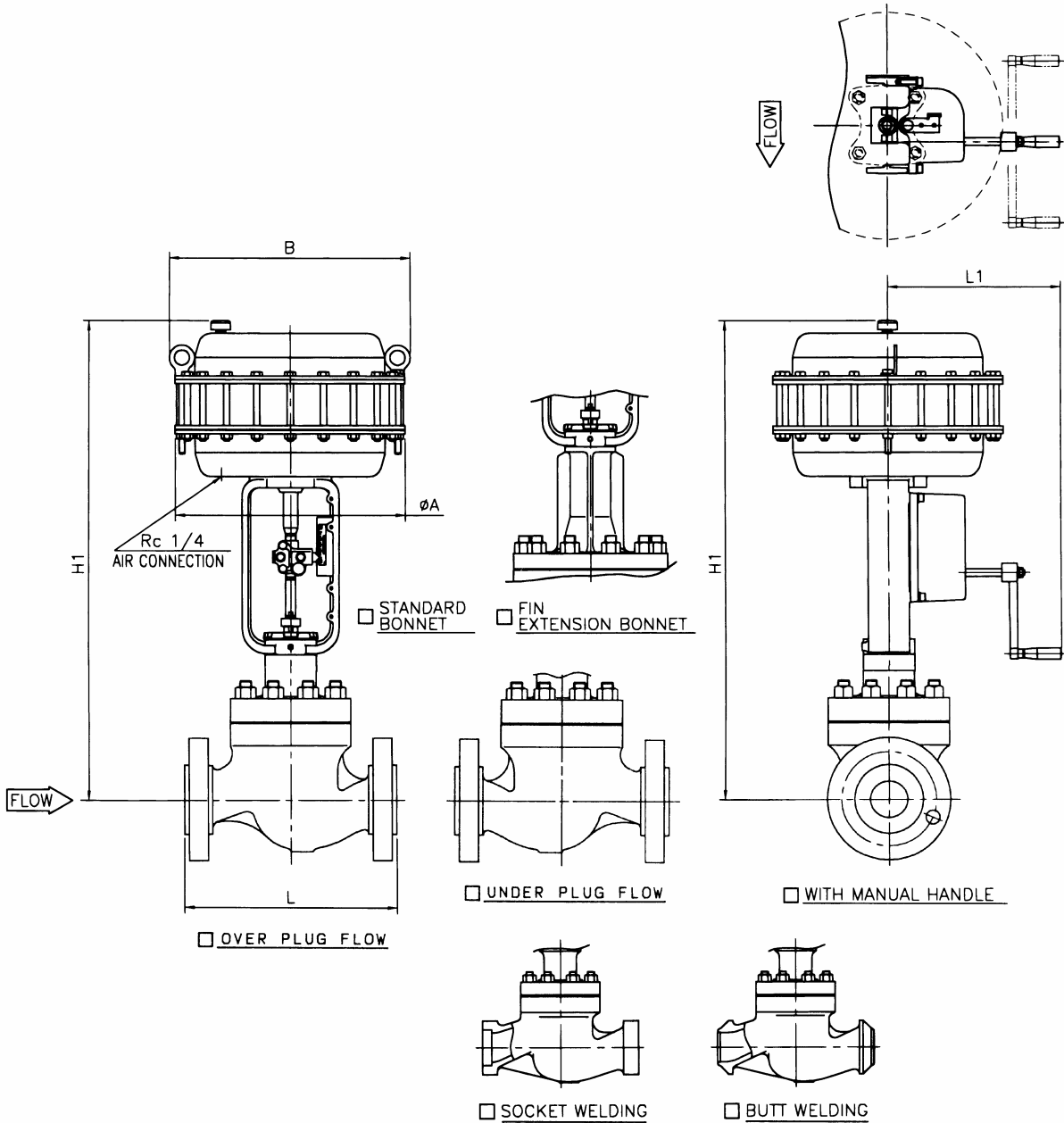
E - 510D - 524LLA - D - N
S

REV

A

KOSO

GLOBE-VALVE REVERSE ACTION



DIMENSIONS

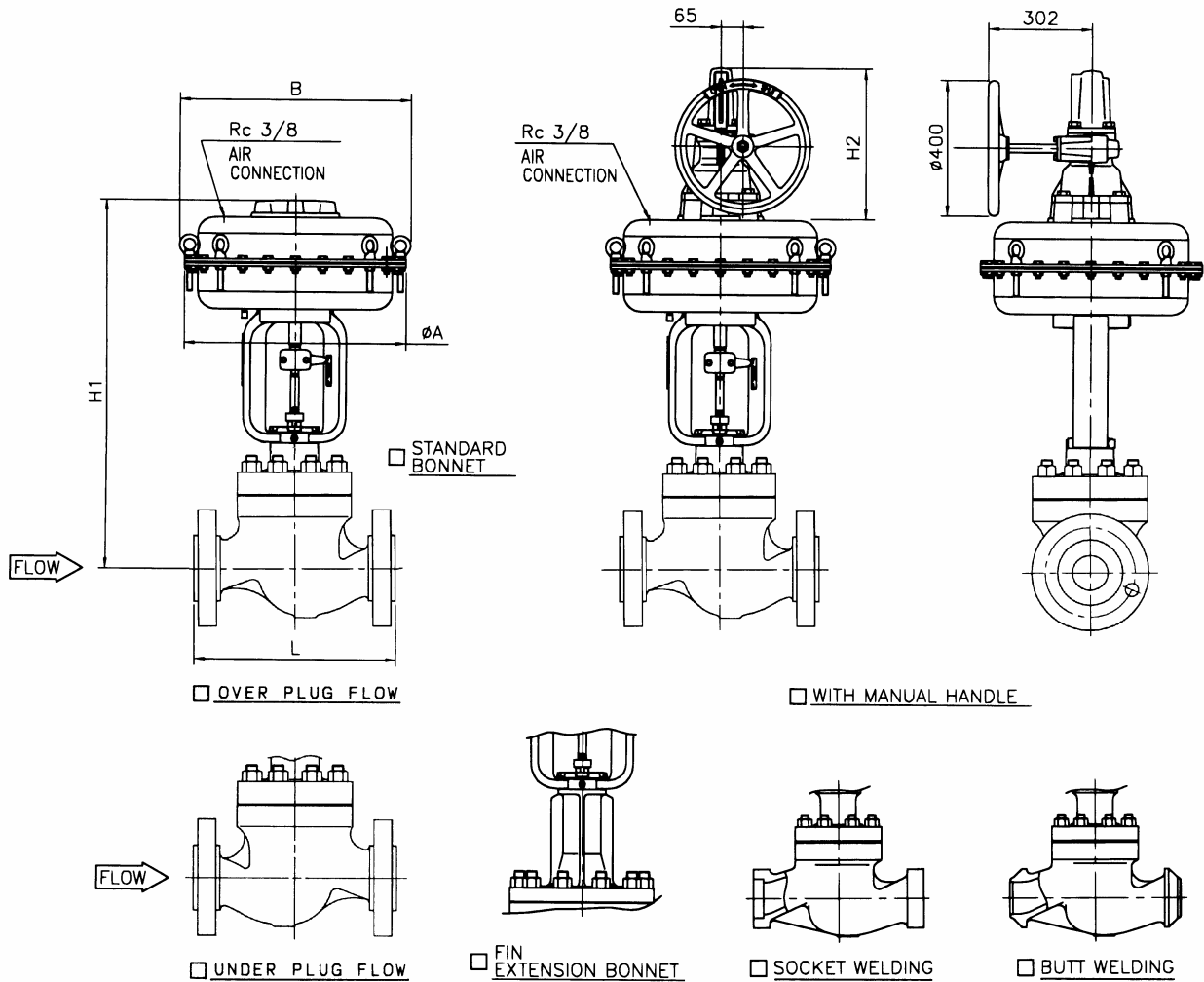
UNIT : mm

VALVE SIZE	FACE TO FACE : L						ANSI 900#, 1500#				ANSI 2500#				ACTUATOR	
	ANSI 900# RF	ANSI 900# RTJ	ANSI 1500# RF	ANSI 1500# RTJ	ANSI 2500# RF	ANSI 2500# RTJ	BONNET		BONNET		BONNET		SIZE	WITH MANUAL HANDLE	CODE No.	
CODE No.	ANSI 900# SW	ANSI 900# BW	ANSI 1500# SW	ANSI 1500# BW	ANSI 2500# SW	ANSI 2500# BW	STD.	FIN EXT.	STD.	FIN EXT.	STD.	FIN EXT.	A			B
							H1	H1	H1	H1	H1	H1				
04	<input type="checkbox"/> 4" (100A)	510	513	530	533	566	575	955	1105	1015	1165	<input type="checkbox"/> 450	472	336	524LLA	
06	<input type="checkbox"/> 6" (150A)	715	718	770	776	820	833	1135	1285	1195	1345	<input type="checkbox"/> 450	472	336	524LLA	
08	<input type="checkbox"/> 8" (200A)	854	857	911	920	1279	1295	1205	1355	1285	1435	<input type="checkbox"/> 450	472	336	524LLA	

*FLANGE IS FOLLOWING TO A STANDARD WHICH IS DESCRIBED ON SPECIFICATION SHEET.

NOTE:	DRAWING No.	
	E - 510D - 524LLA - R - N S	
	REV	KOSO
	A	

GLOBE-VALVE DIRECT ACTION



DIMENSIONS

UNIT : mm

VALVE SIZE	FACE TO FACE : L						ACTUATOR				SIZE		H2	CODE No.	
	ANSI 900#		ANSI 1500#		ANSI 2500#		ANSI 900#,1500#		ANSI 2500#						
	RF	RTJ	RF	RTJ	RF	RTJ	BONNET	BONNET	STD.	FIN EXT.	STD.	FIN EXT.	WITH MANUAL HANDLE		
CODE No.	ANSI 900# SW	ANSI 900# BW	ANSI 1500# SW	ANSI 1500# BW	ANSI 2500# SW	ANSI 2500# BW	H1	H1	H1	H1	A	B	H2	CODE No.	
04	4" (100A)	510	513	530	533	566	575	1000	1150	1060	1210	650	678	450	526SLA
06	6" (150A)	715	718	770	776	820	833	1180	1330	1240	1390	650	678	450	526SLA
08	8" (200A)	854	857	911	920	1279	1295	1250	1400	1330	1480	650	678	450	526SLA

*FLANGE IS FOLLOWING TO A STANDARD WHICH IS DESCRIBED ON SPECIFICATION SHEET.

NOTE:

DRAWING No.

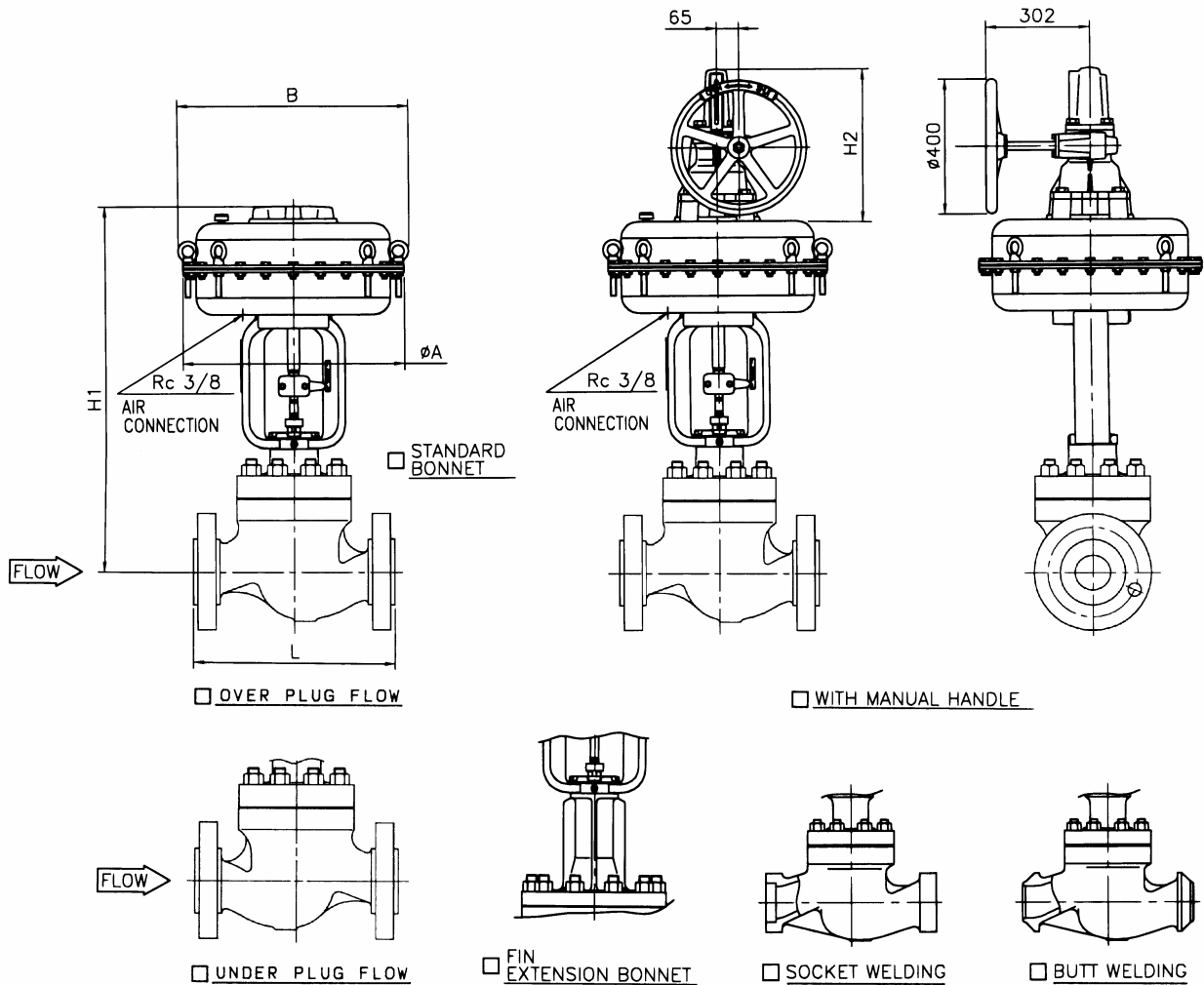
E - 510D - 526SLA - D - N
S

REV

A

KOSO

GLOBE-VALVE REVERSE ACTION



DIMENSIONS

UNIT : mm

VALVE SIZE	FACE TO FACE : L						ACTUATOR				SIZE		H2	CODE No.
	<input type="checkbox"/> ANSI 900# RF	<input type="checkbox"/> ANSI 900# RTJ	<input type="checkbox"/> ANSI 1500# RF	<input type="checkbox"/> ANSI 1500# RTJ	<input type="checkbox"/> ANSI 2500# RF	<input type="checkbox"/> ANSI 2500# RTJ	<input type="checkbox"/> ANSI 900#,1500# BONNET		<input type="checkbox"/> ANSI 2500# BONNET					
	<input type="checkbox"/> ANSI 900# SW	<input type="checkbox"/> ANSI 900# BW	<input type="checkbox"/> ANSI 1500# SW	<input type="checkbox"/> ANSI 1500# BW	<input type="checkbox"/> ANSI 2500# SW	<input type="checkbox"/> ANSI 2500# BW	<input type="checkbox"/> STD.	<input type="checkbox"/> FIN EXT.	<input type="checkbox"/> STD.	<input type="checkbox"/> FIN EXT.	A	B	WITH MANUAL HANDLE	
04 <input type="checkbox"/> 4" (100A)	510	513	530	533	566	575	1000	1150	1060	1210	<input type="checkbox"/> 650	678	450	526SLA
06 <input type="checkbox"/> 6" (150A)	715	718	770	776	820	833	1180	1330	1240	1390	<input type="checkbox"/> 650	678	450	526SLA
08 <input type="checkbox"/> 8" (200A)	854	857	911	920	1279	1295	1250	1400	1330	1480	<input type="checkbox"/> 650	678	450	526SLA

*FLANGE IS FOLLOWING TO A STANDARD WHICH IS DESCRIBED ON SPECIFICATION SHEET.

NOTE:

DRAWING No.

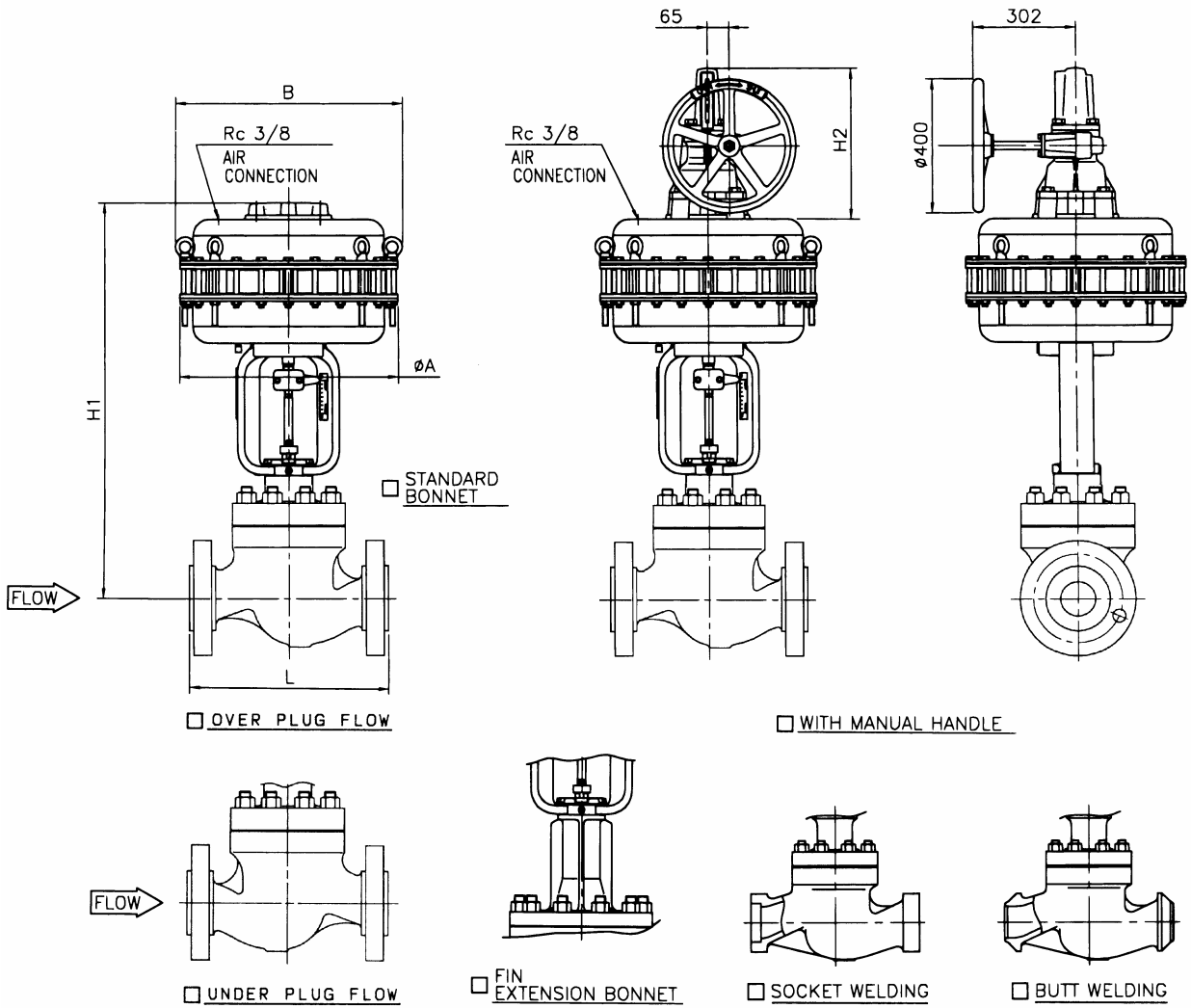
E - 510D - 526SLA - R - N
S

REV

A

KOSO

GLOBE-VALVE DIRECT ACTION



DIMENSIONS

UNIT : mm

VALVE SIZE	FACE TO FACE : L						ANSI 900#, 1500#		ANSI 2500#		ACTUATOR			
	ANSI 900# RF	ANSI 900# RTJ	ANSI 1500# RF	ANSI 1500# RTJ	ANSI 2500# RF	ANSI 2500# RTJ	BONNET		BONNET		SIZE	B	WITH MANUAL HANDLE	CODE No.
CODE No.	ANSI 900# SW	ANSI 900# BW	ANSI 1500# SW	ANSI 1500# BW	ANSI 2500# SW	ANSI 2500# BW	STD.	FIN EXT.	STD.	FIN EXT.				
							H1	H1	H1	H1				
06 <input type="checkbox"/> 6" (150A)	715	718	770	776	820	833	1280	1430	1340	1490	<input type="checkbox"/> 650	678	450	526LLA
08 <input type="checkbox"/> 8" (200A)	854	857	911	920	1279	1295	1350	1500	1430	1580	<input type="checkbox"/> 650	678	450	526LLA
10 <input type="checkbox"/> 10" (250A)	1251	1254	1327	1336	1778	1800	1440	1590	1520	1670	<input type="checkbox"/> 650	678	450	526LLA
12 <input type="checkbox"/> 12" (300A)	1311	1314	1400	1416	—	—	1540	1690	—	—	<input type="checkbox"/> 650	678	450	526LLA

*FLANGE IS FOLLOWING TO A STANDARD WHICH IS DESCRIBED ON SPECIFICATION SHEET.

NOTE:

DRAWING No.

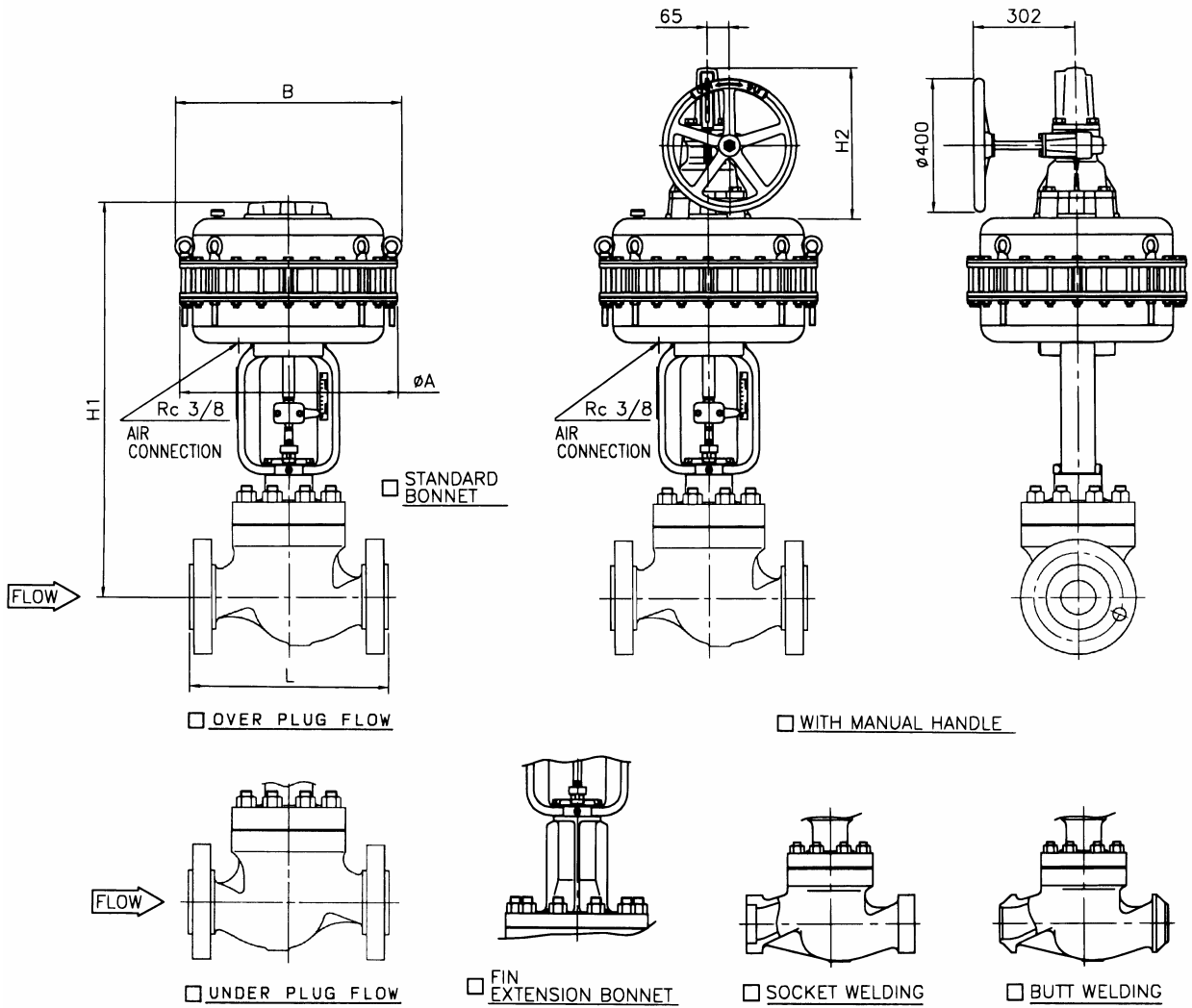
E - 510D - 526LLA - D - N S

REV

A

KOSO

GLOBE-VALVE REVERSE ACTION



DIMENSIONS

UNIT : mm

VALVE SIZE	FACE TO FACE : L						ANSI 900#,1500#		ANSI 2500#		ACTUATOR			
	ANSI 900# RF	ANSI 900# RTJ	ANSI 1500# RF	ANSI 1500# RTJ	ANSI 2500# RF	ANSI 2500# RTJ	BONNET		BONNET		SIZE	H2	CODE No.	
	ANSI 900# SW	ANSI 1500# SW	ANSI 2500# SW	ANSI 900# BW	ANSI 1500# BW	ANSI 2500# BW	STD.	FIN EXT.	STD.	FIN EXT.				A
CODE No.							H1		H1					
06 <input type="checkbox"/> 6" (150A)	715	718	770	776	820	833	1280	1430	1340	1490	<input type="checkbox"/> 650	678	450	526LLA
08 <input type="checkbox"/> 8" (200A)	854	857	911	920	1279	1295	1350	1500	1430	1580	<input type="checkbox"/> 650	678	450	526LLA
10 <input type="checkbox"/> 10" (250A)	1251	1254	1327	1336	1778	1800	1440	1590	1520	1670	<input type="checkbox"/> 650	678	450	526LLA
12 <input type="checkbox"/> 12" (300A)	1311	1314	1400	1416	—	—	1540	1690	—	—	<input type="checkbox"/> 650	678	450	526LLA

*FLANGE IS FOLLOWING TO A STANDARD WHICH IS DESCRIBED ON SPECIFICATION SHEET.

NOTE:

DRAWING No.

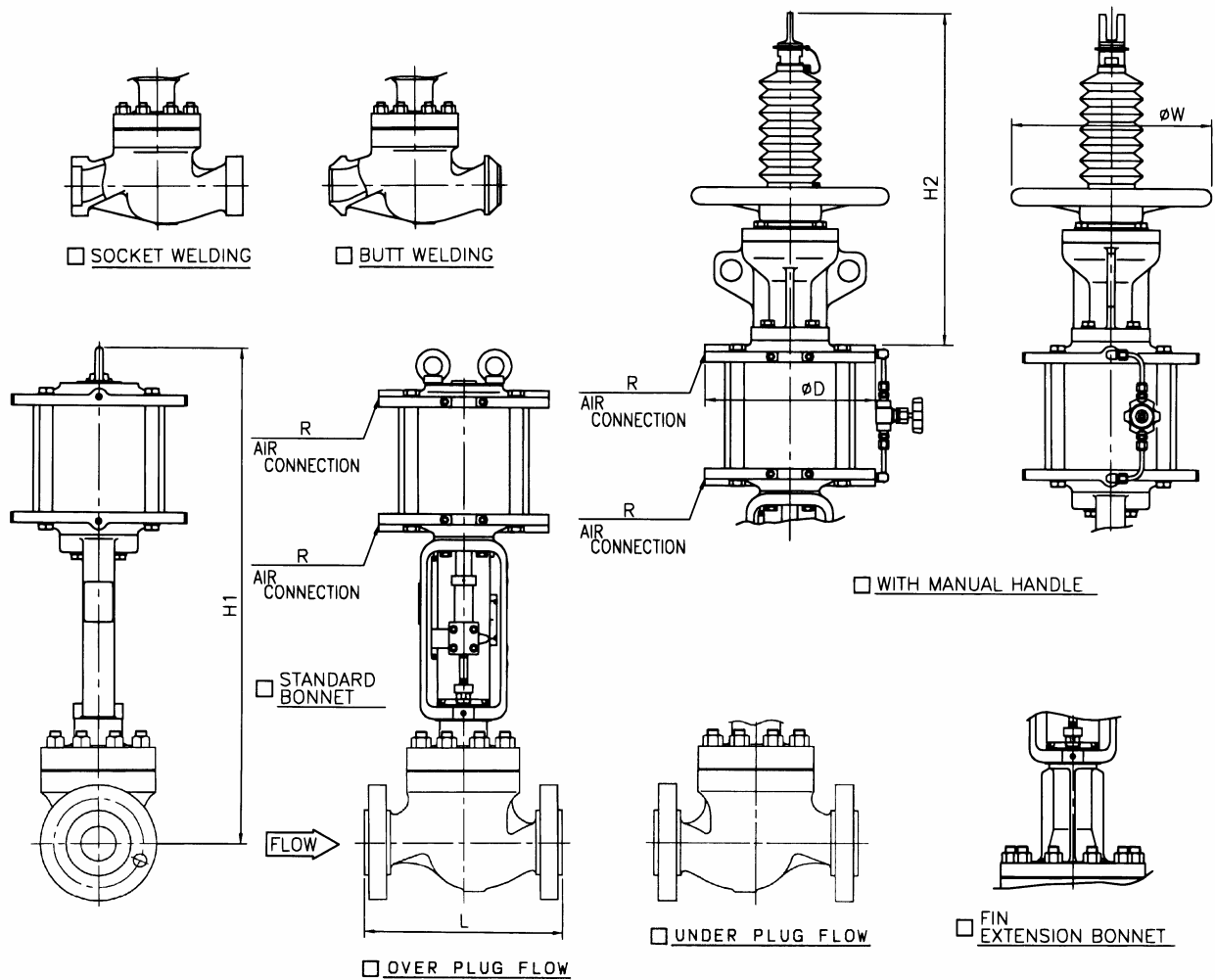
E - 510D - 526LLA - R - N S

REV

A

KOSO

GLOBE-VALVE *Double acting cylinder*



DIMENSIONS

UNIT : mm

VALVE SIZE	FACE TO FACE : L						ANSI 900#,1500#	ANSI 2500#	ACTUATOR							
	ANSI 900# RF	ANSI 900# RTJ	ANSI 1500# RF	ANSI 1500# RTJ	ANSI 2500# RF	ANSI 2500# RTJ	BONNET	BONNET	Cylinder SIZE	R	WITH MANUAL HANDLE		CODE No.			
	ANSI 900# SW		ANSI 1500# SW		ANSI 2500# SW		STD.	FIN EXT.			STD.	FIN EXT.		H2	φW	
CODE No.	ANSI 900# BW		ANSI 1500# BW		ANSI 2500# BW		H1		H1							
01	1" (25A)	292	292	292	292	318	318	990	1090	1035	1135	□200	Rc3/8	465	320	6320LA
93	1.5" (40A)	333	333	333	333	447	450	1025	1175	1075	1225	□200	Rc3/8	465	320	6320LA
02	2" (50A)	375	378	375	378	437	440	1040	1190	1105	1255	□200	Rc3/8	465	320	6320LA
03	3" (80A)	440	443	460	463	498	505	1110	1260	1165	1315	□200	Rc3/8	465	320	6320LA

*FLANGE IS FOLLOWING TO A STANDARD WHICH IS DESCRIBED ON SPECIFICATION SHEET.

NOTE:

DRAWING No.

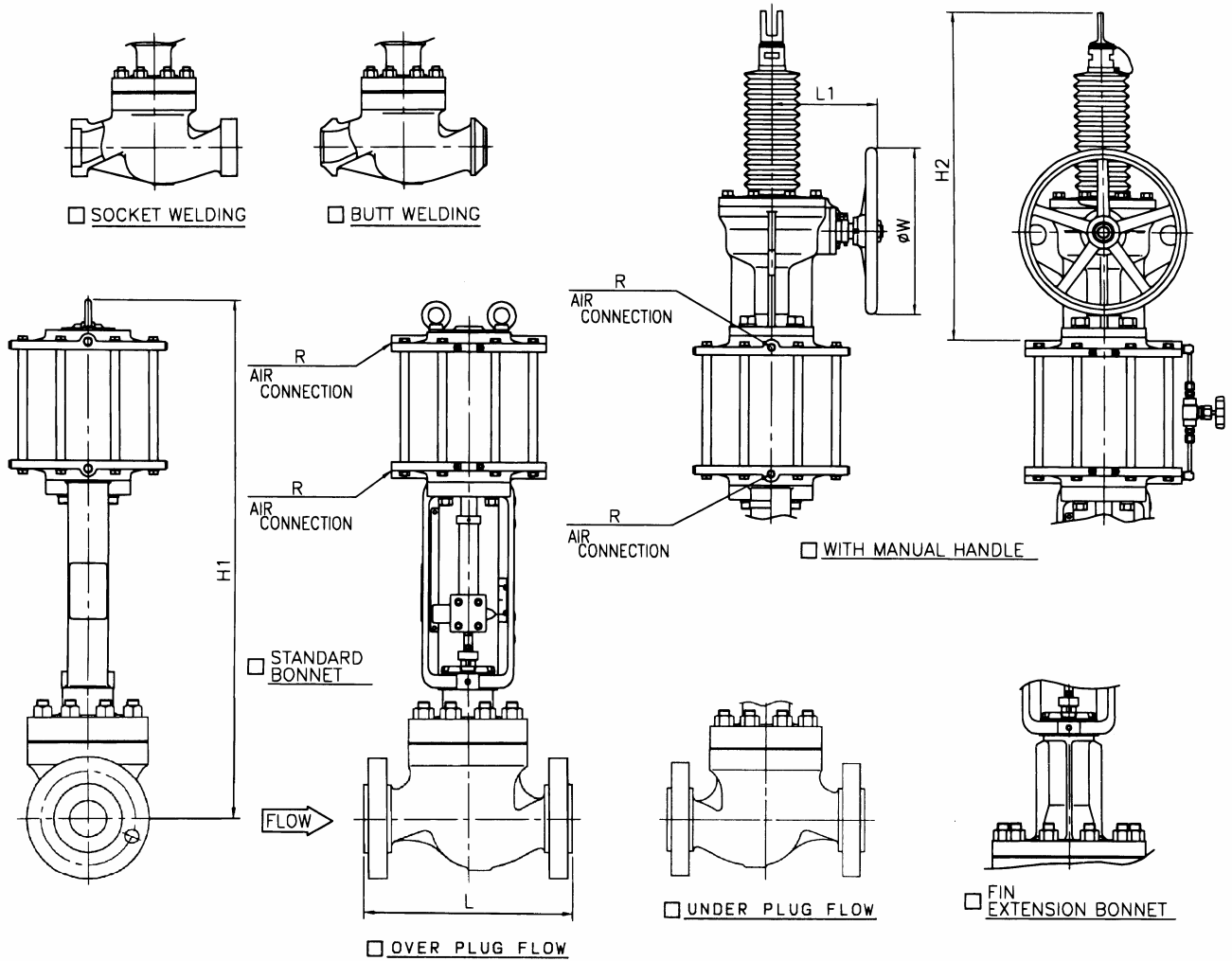
E - 510D - 6320LA - W - ^N/_T

REV

A

KOSO

GLOBE-VALVE Double acting cylinder



DIMENSIONS

UNIT : mm

VALVE SIZE	FACE TO FACE : L						ANSI 900#,1500#				ANSI 2500#				ACTUATOR							
	ANSI 900# RF		ANSI 900# RTJ		ANSI 1500# RF		ANSI 1500# RTJ		ANSI 2500# RF		ANSI 2500# RTJ		BONNET		BONNET		Cylinder SIZE	R	WITH MANUAL HANDLE			CODE No.
	STD.	FIN EXT.	STD.	FIN EXT.	STD.	FIN EXT.	STD.	FIN EXT.	STD.	FIN EXT.	STD.	FIN EXT.	H1	H1	H2	L1			φW			
93	1.5" (40A)	333	333	333	333	447	450	1085	1235	1135	1285	□300	Rc1/2	615	260	400	6330LA					
02	2" (50A)	375	378	375	378	437	440	1100	1250	1165	1315	□300	Rc1/2	615	260	400	6330LA					
03	3" (80A)	440	443	460	463	498	505	1170	1320	1225	1375	□300	Rc1/2	615	260	400	6330LA					
04	4" (100A)	510	513	530	533	566	575	1240	1390	1300	1450	□300	Rc1/2	615	260	400	6330LA					
								1420	1570	1480	1630	□450	Rc1/2	765	330	500	6345LA					
06	6" (150A)	715	718	770	776	820	833	1280	1430	1340	1490	□300	Rc1/2	615	260	400	6330LA					
								1460	1610	1520	1670	□450	Rc1/2	765	330	500	6345LA					
08	8" (200A)	854	857	911	920	1279	1295	1510	1660	1590	1740	□450	Rc1/2	765	330	500	6345LA					
								1640	1790	1720	1870	□600	Rc3/4	870	445	630	6360LA					
10	10" (250A)	1251	1254	1327	1336	1778	1800	1570	1720	1650	1800	□450	Rc1/2	765	330	500	6345LA					
								1700	1850	1780	1930	□600	Rc3/4	870	445	630	6360LA					
								1670	1820	—	—	□450	Rc1/2	765	330	500	6345LA					
12	12" (300A)	1311	1314	1400	1416	—	—	1800	1950	—	—	□600	Rc3/4	870	445	630	6360LA					

*FLANGE IS FOLLOWING TO A STANDARD WHICH IS DESCRIBED ON SPECIFICATION SHEET.

NOTE:

DRAWING No.

E - 510D - 6300LA - W - N
H

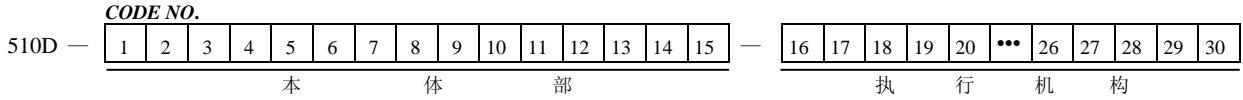
REV

A

KOSO

附表一

510D 系列 高压多级降压式套筒导向型调节阀型号编制说明



1. 本体部

1 2 代号	公 称 通 径 INCH MM	5 代号	连 接 形 式 (法 兰 形 状)	9 代号	额 定 流 量 系 数 Cv	12 代号	阀 座 材 质 及 处 理
01	1 25	1	RF	O	KOSO 标准规格	2	SUS316 / SS
93	1.5 40	5	RTJ	X	客户要求特殊规格	5	SUS316 / RS
02	2 50	6	BW (对焊)			C	SUS410 / 热处理
03	3 80	7	SW (承插焊)			E	A182-F11/SS
04	4 100	X	特殊规格			U	A182-F11/SF
06	6 150						
08	8 200					W	HASTELLOY-B
10	10 250					Y	HASTELLOY-C
12	12 300					Z	TITANIUM
XX	特殊规格					X	特殊规格

3 代号	阀 芯 尺 寸 INCH MM	6 代号	阀 芯 形 式	10 代号	阀 体 材 质	13 代号	多 级 降 压 式 套 筒 材 质 及 处 理
J	1/2 15	A	流 向 高 进 低 出	2	铸 钢 SCPL1	1	410SS / 热处理
9	5/8 16	B	流 向 低 进 高 出	3	铸 钢 SCPH2	3	718 INCONEL / 热处理
1	1 25	X	特 殊 规 格	4	铸 钢 SCPH21	4	SUS316
G	1.25 32			5	铸 钢 SCPH61		
F	1.5 40			6	铸 不 锈 钢 SCS13A	X	特 殊 规 格
2	2 50			7	铸 不 锈 钢 SCS14A		
E	2.5 65			0			
3	3 80			A	A216-WCB		
4	4 100			B	A217-WC6		
5	5 125			C	A352-LCB		
6	6 150			D	A351-CF8M		
7	7 175			Q			
8	8 200			R	ZG230-450		
A	10 250			S	ZG0Cr18Ni9		
X	特殊规格			T	ZG0Cr18Ni12Mo2Ti		
				U			
				V			
				W	HASTELLOY-B		
				Y	HASTELLOY-C		
				Z	TITANIUM		
				X	特殊规格		

7 代号	流 量 特 性	11 代号	阀 芯 材 质 及 处 理	14 代号	填 料 材 质 及 处 理
A	线 性	3	SUS316 / SF	U	P6528+P4519 (常温用)
6	改 良 等 百 分 比	7	SUS316 / Hcr	Q	P6710CH+P6610CH (高温用)
7	改 良 线 性	12	SUS316 / Hcr+SS	R	P6710CL+P6610CL (高温用)
		E	SUS410 / 热处理	X	特 殊 规 格
X	特 殊 规 格	H	A182-F11/SS		
		11	A182-F11/SF		
		W	HASTELLOY-B		
		Y	HASTELLOY-C		
		Z	TITANIUM		
		X	特殊规格		

8 代号	上 阀 盖 形 式	15 代号	垫 圈 和 平 衡 密 封 环
1	标 准 型	3	T/#9090 : GRAFOIL
2	标 准 型 带 注 油 器	4	T/#9090 : RTFE/SUS316
3	标 准 型 带 O 形 圈 (VITON)	7	T/#1806GR : GRAFOIL
4	标 准 型 带 O 形 圈 (NBR)	8	T/#1806GR : RTFE/SUS316
5	延 长 型 (低 温 型)	G	Fluoroloy G/Elgiloy
6	延 长 型 带 注 油 器		
8	散 热 片 型	X	特 殊 规 格
9	散 热 片 型 带 注 油 器		
A	散 热 片 型 带 O 形 圈 (NBR)		
B	加 长 型		
C	加 长 型 带 注 油 器		
D	加 长 型 带 O 形 圈 (NBR)		
X	特 殊 规 格		

4 代号	阀 门 公 称 等 级 连 接 法 兰 等 级
F	ANSI Class 900
G	ANSI Class 1500
H	ANSI Class 2500
X	特殊规格

备注：SS—部分堆焊司太莱合金
 SF—全部堆焊司太莱合金
 Hcr—镀硬铬
 RS—强化聚四氟乙烯

P6528—碳纤维
 P4519—聚四氟乙烯碳纤维
 P6710CL—柔性石墨
 P6710CH—柔性石墨
 P6610CL—柔性石墨
 P6610CH—柔性石墨
 T/#9090—聚四氟乙烯 / SUS316
 T/#1806GR—柔性石墨 / SUS316
 GRAFOIL—柔性石墨

2. 执行机构的型号编制说明请参见相应的执行机构标准说明书。

附表二

KOSO 控制阀公称压力对照表

公称压力等级代号	L 级	M 级	H 级			
美国标准	ANSI 150#	ANSI 300#	ANSI 600#	ANSI 900#	ANSI 1500#	ANSI 2500#
日本标准	JIS 10K	JIS 20K、JIS 30K	JIS 40K	JIS 63K		
中国标准	PN 1.6	PN 4.0	PN 6.3、PN 10	PN 16	PN 25	PN 40

注：由于各国标准在公称压力定义时选择的温度基准不同，表中相同等级只是近似的，因此，各标准的公称压力下的温度·压力使用范围请参照相应的标准。

附表三

KOSO 控制阀阀体常用材质对照表

美国铸件牌号	A216-WCB	A351-CF8	A351-CF8M	A217-WC6	A217-WC9	A352-LCB
日本铸件牌号	SCPH2	SCS13A	SCS14A	SCPH21	SCPH32	SCPL1
日本锻件牌号	A105	SUSF304	SUSF316	F11	F22	
中国铸件牌号	ZG230-450	ZG0Cr18Ni9	ZG0Cr18Ni12Mo2Ti			
备 注	成份同 ZG25	成份同 304SS	成份同 316SS			