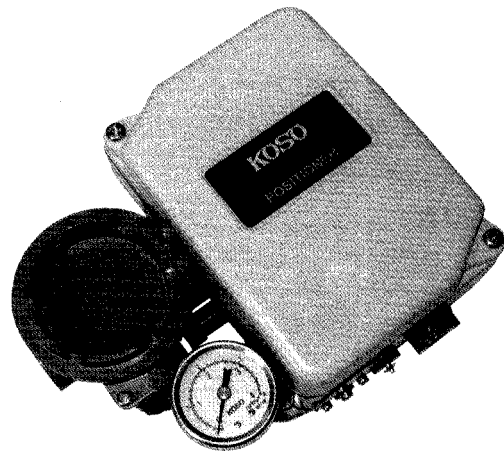


电—气定位器
E/P POSITIONER

EPL800 SERIES



单动作型
SINGLE ACTING TYPE

KOSO



EPL800 电—气定位器 Electro-Pneumatic Positioner

概 要

EPL800 系列电—气定位器与气动执行机构配套使用，输入 4 ~ 20 mA DC 的信号转换成输出空气压力，控制执行机构的动作。同时根据执行机构的行程进行反馈，从而使执行机构的行程能按控制信号进行精确定位。

EPL800 系列电—气定位器仅能用于单动作型执行机构。

GENERAL

The EPL800 Series Positioner, mounted on a pneumatic actuator, moves the actuator by receiving DC 4 ~ 20 mA signals from a controller. Also, the function of detecting and returning the actuator displacement provides accurate positioning in response to DC 4 ~ 20 mA signals.

The EPL800 can be used with spring-return acting actuators only.

标准规格 STANDARD SPECIFICATIONS

系 列 Series	EPL800
输 入 信 号 Input signal	4 ~ 20 mA DC 可进行分程控制 调整范围：4 ~ 12、12 ~ 20 mA DC
输 入 阻 抗 Input impedance	250 ± 5% at 25
输 出 特 性 Characteristic	线性 Linear
气 源 压 力 Air supply	140 ~ 700 KPa
耗 气 量 Air consumption	输出气压 50%时的耗气量。 Output air pressure 50% 单动作型 Single acting type : 5Nl / min at 140 Kpa air supply
最大处理容量 Max. capacity	输出侧气源放空时 Capacity when output is atmospheric venting. 单动作型 Single acting type : 175Nl / min at 140 Kpa air supply
性 能 Performance	单动作型执行机构 For single acting actuator 直 线 性 Linearity..... ± 1.0% of Full stroke 滞 后 Hysteresis..... 0.5% of Full stroke 灵 敏 度 Response level..... 0.1% of Full stroke 重 复 精 度 Repeatability..... 0.2% of Full stroke 气源压力变动误差 Supply pressure effect..... 0.1%/10 Kpa 上述各数值是指在不连接阀门的情况下执行机构的性能。在连接阀门的情况下，其性能请参照相应的 KOSO 控制阀标准说明书。 The above represents the performance of the positioner on an actuator without a valve. For the performance of the complete unit with a valve and an actuator, see KOSO STANDARD SPECIFICATION.
气 源 接 口 Air connection	Rc 1/4
电 气 接 口 Wiring connection	G 1/2
环 境 温 度 Ambient temperature	标准型 Standard type..... - 20 ~ + 80 高温型(选购) High temperature service (option)..... 0 ~ + 100 低温型(选购) Low temperature service (option)..... - 50 ~ + 60
湿 度 范 围 Ambient humidity range	10 ~ 90% RH
结 构 形 式 Enclosure	室外防水型 Weather proof type (IP65) 耐压防爆型 Explosion proof type (Ex md CT6) 防爆合格证号：国仪检 01171 本质安全型 Intrinsically safe explosion proof type (Exia CT6) 合格证号：国仪检 01172

特点

适用于小容量及大容量的执行机构

由于采用了载荷控制弹簧，选择相应的弹簧后就能获得最适合于该执行机构的定位器。

耗气量小

放大器的耗气量小、容量大。

可以选择输出特性

由于反馈机械中有凸轮装置，因此可以选择标准特性以外的输出特性。

耐压防爆型可在现场进行调整

由于信号(4 ~ 20 mA. DC)输入端接头及线圈部位的封装呈耐压防爆结构，因此在进行检修及行程调整时，可以在现场防爆区域内拆除定位器外壳。

本质安全的构造有着广阔的适用范围

接线盒及线圈有着本质安全的构造（力矩线圈型号：EP82），因此与专用的齐纳安全栅组合使用能使力矩线圈适用于所有危险气体的场所（包括0区），使用环境温度范围为 - 40 ~ + 60 。

FEATURES

USABLE WITH LOW TO HIGH CAPACITY ACTUATORS

By adjusting the built-in capacity control spring, the positioner can be made optimum to the given actuator.

A LOW AIR CONSUMPTION

The pilot valve is low in air consumption and high in capacity.

OUTPUT CHARACTERISTICS SELECTABLE

Having a cam within the feedback construction, choices other than the standard linear characteristic are available.

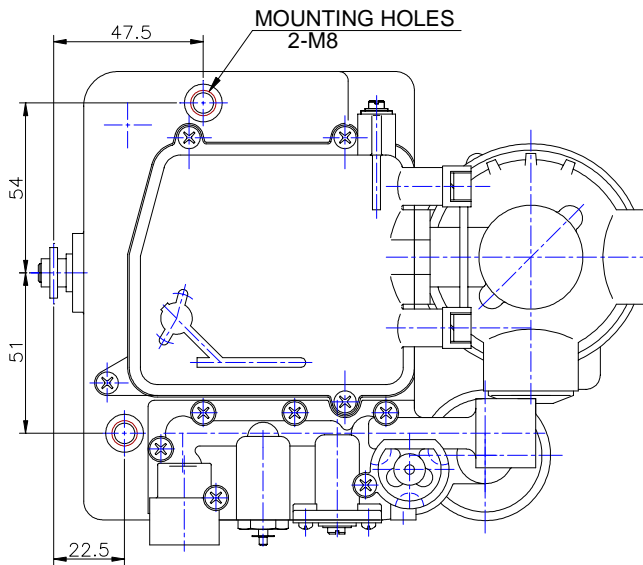
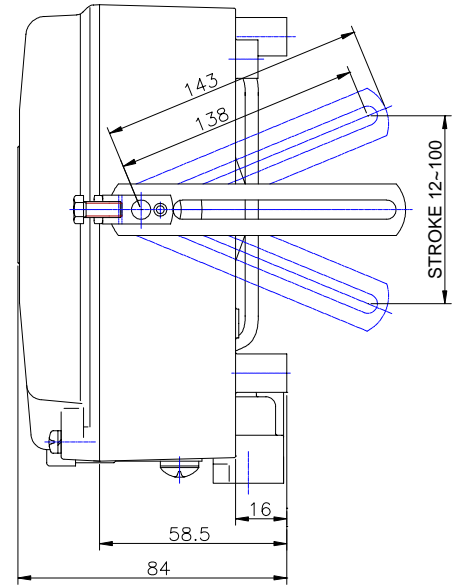
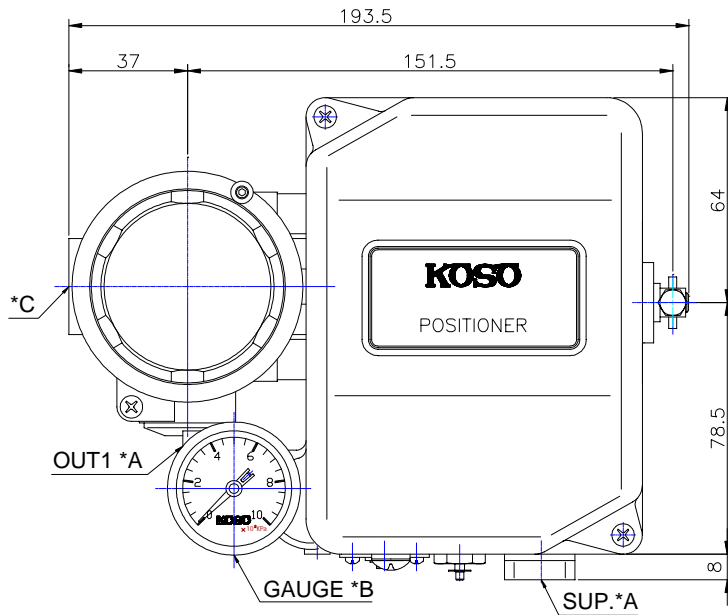
ANTI-PRESSURE AND EXPLOSION PROOF STRUCTURE MARKING ON-SITE ADJUSTMENT POSSIBLE

The anti-pressure and explosion proof construction, with the terminal and coil blocks enclosed together in one package, makes it possible to remove the positioner cover for inside inspection or span adjustment even in an explosive ambient.

INTRINSICALLY SAFE CONSTRUCTION FOR A WIDE SCOPE OF APPLICATIONS

The intrinsically safe construction (torque-coil type: EP82) cover terminals and coil as one package. This, combined with The adoption of the specified zener barrier, makes the unit applicable in all hazardous gas location (including Class 0 area) ranging from low (- 40) to high (+ 60) temperature environment.

ELECTRO-PNEUMATIC POSITIONER



MODEL EPL8 1—L

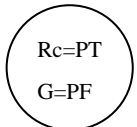
:: :: ::
*1 *2 *3

*1	PROOF TYPE
0	WEATHER PROOF
1	Exmd CT6
2	Exia CT6

*2	GAUGE TYPE			
2	2kgf/cm ²	200kPa	2bar	30psi
4	4kgf/cm ²	400kPa	4bar	60psi
10	10kgf/cm ²	1000kPa	10bar	160psi

*3	SERVICE		
	WEATHER PROOF	Exmd CT6	Exia CT6
	-20~+80 <STANDARD>	-20~+60	-20~+60
L	-50~+60 <LOW TEMP.>		-40~+60
H	0~+100 <HIGH TEMP.>		

		*A *B CONNECTION		SPECIAL
DESCRIPTION	UNIT	kgf/cm ² kPa	Bar, psi kPa	
*A	AIR CONNECTION	Rc1/4	1/4"NPT	
*B	GAUGE CONNECTION	Rc1/8	1/8"NPT	



*C	CONDUIT CONNECTION
	G1/2
	1/2"NPT

NOTE:

FOR SPRING RETURN ACTING ACTUATOR

DRAWING NO.

E-EPL801

REV

A

KOSO