



中外合资
Sino-foreign Joint Venture



Control Valve Accessories

控制阀附件

与您分享国外高品质流体控制阀方案
Share with you the schemes of premium
foreign fluid control valves



www.megney.uk

美格尼流体控制(中国)有限公司
MEGNEY FLUID CONTROL (CHINA) CO., LTD

Http: //www.megney.uk
E-mail: mgnzg@megney.uk

服务热线: 400-6089-456
Service Hotline

© 美格尼·中国 版权所有，翻版必究； All rights reserved by Megney China;
若有改动，恕不另行通知。请用户使用最新版本，美格尼·中国拥有最终解释权；
Subject to change without notice. Please use the latest version, Megney China has the final interpretation right;
采用生态纸印刷。Printed on Eco paper.

三千控制阀网
www.CV3000.com

UK MEGN GROUP
Megney® 美格尼·中国



COMPANY PROFILE

UK MEGN Group Co., Ltd. is a well-known innovative automation group in Europe. It is headquartered in Salsgate District of London, UK, and has R&D and processing centers in Germany, US, Korea, Malaysia, and Taiwan region. MEGN Group has long been committed to the research and application of industrial process automation, and providing long-term support and technical solution to famous brands around the globe.

British Megney Precision Instrument Control Company, which was founded in 1976, is specialized in control valves and actuator products. It has over 400 well-trained staff, engaging in fluid control of industrial automation from chemical industry to new energy industrial technologies. After being merged into MEGN Group in 2018, it is now the Fluid Control Business Department of MEGN Group.

Megney Fluid Control (China) Co., Ltd. is a joint venture established by strategic investments of both Chinese and British sides, aiming to achieve more efficient global management and better serve users of Asia-Pacific region, including Chinese market. Megney China has been developed greatly since its foundation, possessing high precision CNC machining center, complete workpiece processing equipment, and full-process inspection instruments. Skillful engineers are always ready to provide timely and professional services to users across China and maximally satisfy the demands of the users.

Relying on the excellent quality, exquisite techniques, professional and honest services, Megney China has been widely recognized by Chinese users. Its products have been successfully applied in petroleum, petrochemical, chemical, coal chemical, chemical fiber, nuclear power, metallurgy, mine, natural gas, environmental protection, medical and pharmaceutical, new materials, new energy, and municipal engineering fields. With the advanced technical capability and the continuous efforts of all staff, Megney China will keep providing customers with reliable and outstanding services, and become the most trustful cooperation partner of more customers!

Megney China has obtained a series of certificates, including: TS Manufacture License for Special Equipment of Pressure Pipeline Valves, ISO9001 Quality Management System Certificate, ISO14001 Environment Management System Certificate, ISO45001 Occupational Health and Safety Management Certificate, German TUV API Fire Prevention Certificate, German TUV IEC61508 Safety Integrity Level-3 (SIL3) Certificate, TUV 15848 Low Leakage Certificate, EU CE Certificate, Five-star After-sales Service Certificate, Five-star Brand Service Certificate, 3A Enterprise Credit Certificate, etc. The products are mainly designed and manufactured against DIN, ANSI, API, JIS, BS, NF, and GB standards. Main products: pneumatic/electric control valves, ball valves, butterfly valves, and process valves, etc.

公司简介

英国MEGN集团有限公司是欧洲知名的创新型自动化集团公司，公司总部座落于英国伦敦绍斯盖特并在德国、美国、韩国、马来西亚、台湾设有研发及加工中心，MEGN公司长期致力于工业过程自动化的研究和应用，为全球知名品牌长期提供技术方案支持与协作。

英国美格尼精密仪器控制公司成立于1976年，是一家专业从事控制阀、阀门执行机构产品的公司，超过400名训练有素的员工，专业领域涉及从大化工到新能源工业技术，致力于工业自动化的流体控制。于2018年并入MEGN集团公司，现隶属于MEGN公司流体控制事业部。

Megney美格尼流体控制(中国)有限公司是英国MEGN集团有限公司为了更快捷高效的全球管理和服务亚太地区包括中国市场的用户，中英双方战略投资组建成立的合资公司。Megney美格尼·中国成立以来取得了长足发展，拥有了高精度的数控加工中心、完整的工件处理设备和全流程检测检验仪器。公司训练有素的工程师可以给全国的客户及时专业的服务。最大限度地满足用户的需求。

Megney美格尼·中国优良的品质、精湛的技艺和专业而诚信的服务，赢得了诸多中国用户的信任，在石油、石化、化工、煤化工、化纤、核电、冶金、矿山、天然气、环保、医药、新材料、新能源、市政工程等诸多领域得到成功应用。依托先进的技术能力和全体员工的不断努力，Megney美格尼·中国将为客户提供可靠的产品和优质的服务，成为更多客户最为信赖的合作伙伴！

Megney美格尼·中国已通过TS特种设备压力管道阀门制造许可证、ISO9001质量管理体系认证、ISO14001环境管理体系认证、ISO45001职业健康管理体系认证、德国TUV、API防火认证、德国TUV、IEC61508、SIL3安全完整性、功能认证、德国TUV、15848低泄漏认证、欧盟CE认证、五星售后、服务认证、五星品牌服务认证、3A企业信用认证等。产品主要采用DIN、ANSI、API、JIS、BS、NF、及GB标准设计制造，主要产品有：气动/电动调节阀、球阀、蝶阀、工艺阀门等。



UK MEGN GROUP
Megney®

英国美格尼集团 中国区·运营服务中心
 UK MEGN GROUP China Operations Service Center

特种设备生产许可证 ISO9001:2015认证 IEC61508 SIL3认证 ISO 15848认证 API 607认证



LEADING TECHNOLOGY, EXCELLENT PRODUCT 领先的技术, 优异的产品

Megney公司以精湛的技术为基础, 从设计、材料、加工、检测到整体性能都实行最严格的标准要求, 产品连续多次经英国第三方权威机构检测质量达到国际先进水平, 领先的技术、优异的产品性能, 为合作伙伴提供优质安全高效的产品。

Megney is based on exquisite technology, from the design, materials, processing, inspection of the overall performance of the implementation of the most stringent standards. Its products have been tested by British third-party authorities for many times and have reached the international advanced level. Leading technology, excellent product performance provide partners with high-quality, safe and efficient products.



生产车间
PRODUCTION WORKSHOP



TECHNOLOGICAL INNOVATION, CONTINUOUS IMPROVEMENT
科技创新, 精益求精

美格尼将始终坚守产品的品质, 因为好的品质永远是未来不可动摇的发展方向。今后我们将再接再厉, 以创新为力量, 创造更好更高的品质, 打造更好的品牌, 树立精益求精的态度。

Megney will always adhere to the good quality of products, and good quality is the unshakable development direction in the future. Driven by innovation, we will continue to make persistent efforts to create better and higher quality, create better brand and set up an attitude of continuous improvement in the future.



三千控制阀网

www.CV3000.com

与您分享国外高品质流体控制阀方案
Share with you the schemes of premium foreign fluid control valves

UK MEGN GROUP

Megney® 美格尼·中国

产品目录

- 01 MLS1000-T 防爆阀门控制器
MLS1000-T Explosion-proof valve controller
- 04 MLS1000-T 防爆限位开关
MLS1000-T Explosion-proof limit switch
- 07 MLS1000-R 防爆限位开关
MLS1000-R Explosion-proof limit switch
- 10 MLS1000 防爆限位开关
MLS1000 Explosion-proof limit switch
- 13 MP6000 电气阀门定位器
MP6000 Electrical pneumatic valve positioner
- 16 MPL210/310N 防水型开关
MPL210/310N Water-proof switch
- 19 SEP8000 智能阀门定位器
SEP8000 Intelligent valve positioner
- 23 MIT5000 阀位变送器
MIT5000 Valve position transmitter
- 25 Z3 551 隔爆型电磁阀
Z3 551 Flame-proof solenoid valve
- 28 A3 浇封型电磁阀
A3 Encapsulation solenoid valve
- 31 IW 精密过滤减压阀
IW Precision filter decompressor
- 33 IL100 气动放大器
IL100 Pneumatic amplifier
- 36 IL200 气锁阀
IL200 Air lock valve
- 39 4A400 气控阀
4A400 Air control valve
- 42 工程业绩
Engineering performance



STANTON



MLS1000-T

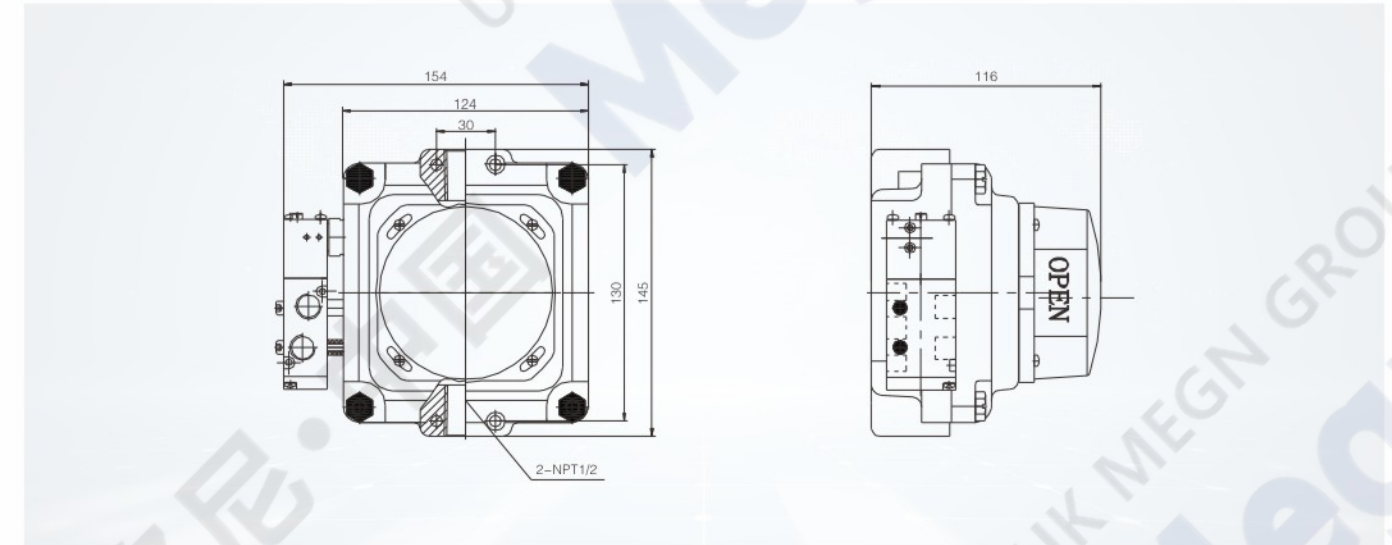
防爆阀门控制器

Explosion-proof Valve Controller

Explosion-proof Valve Controller



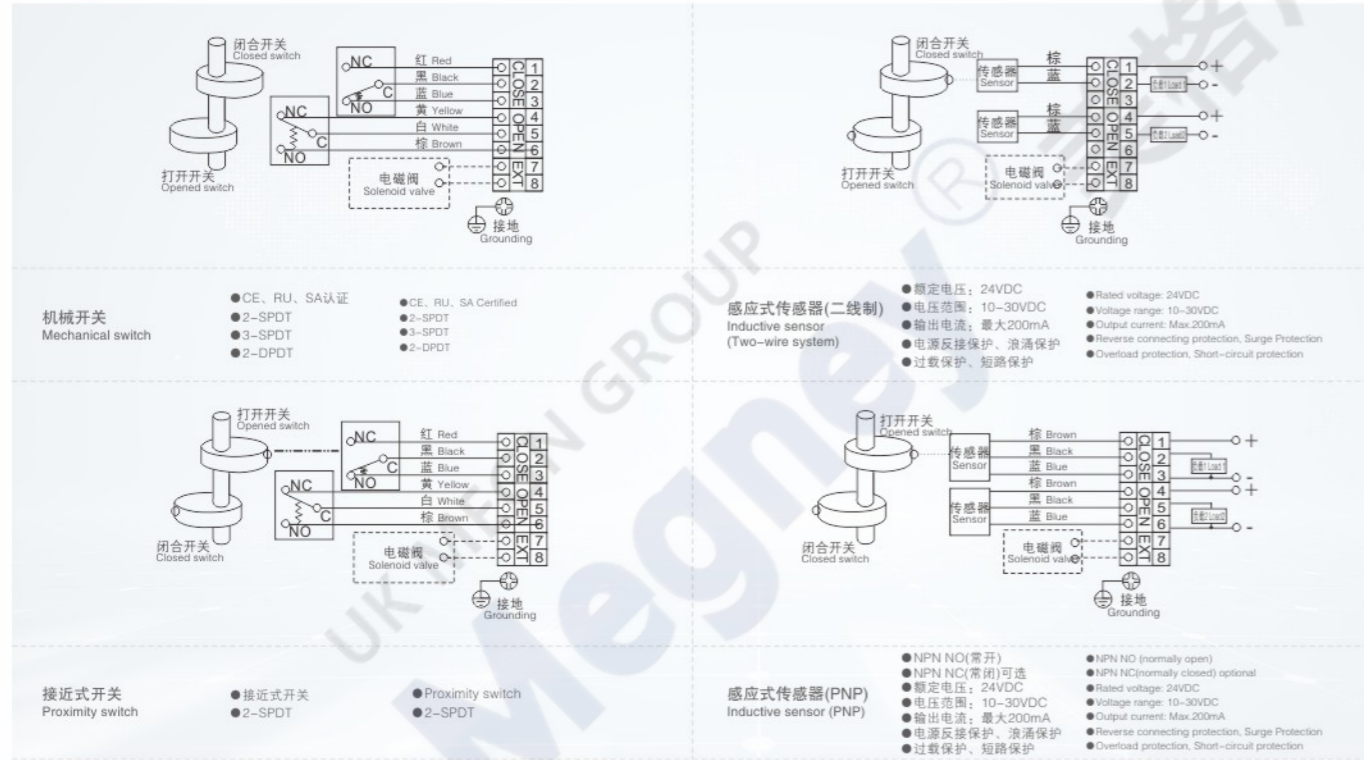
外形尺寸 Outside Dimension



技术参数 Technical Parameters

防爆等级 Explosive-proof grade	Exd II BT6 Gb, Exd II CT6 Gb(隔爆型Flame-proof)
防护等级 Protection grade	IP66
电气接口 Electrical interface	2 × NPT1/2 或 2 × NPT3/4
开关类型 Switch type	机械式开关Mechanical switch: 2-SPDT; 2-DPDT 感应式传感器Inductive sensors: NPN;PNP;二线制Two-wire system 接近式开关Proximity switch: 2-SPDT
触点容量 Contact capacity	阻性Resistive: 10A/24VDC; 0.3A/220VDC; 10A/220VAC 感性Inductive: 3A/24VDC; 0.05A/220VDC; 3A/220VAC
电磁阀 Solenoid valve	2.5W/24VDC; 1.4W/24VDC; 3.0VA/220VAC
指示器 Indicator	OPEN(黄Yellow); CLOSE(红Red); 0° -90°
材质 Material	铝合金Aluminum alloy
环境温度 Ambient temperature	-20°C ~ +60°C(标准型Standard type); -40°C ~ +60°C(低温型Low temperature type)
外形尺寸 Dimensions	154 × 145 × 116mm
重量 Weight	1.5kg

电气连接 Electrical Connections



订货谱式 Order Spectrum

型号 Model	防爆形式 Explosion-proof form	开关形式 Switch type	动作形式 Action form	— T — 电磁阀 Solenoid valve	电气接口 Electrical interface	安装支架 Mounting bracket	材质 Material	
MLS1	1 隔爆型 Flame-proof Exdb II BT6 Gb	1 机械式 2-SPDT Mechanical 2-SPDT	1 转角 Corner	— T — 0 不带 Without	1 2个NPT1/2"	1 80°30'H20	0 铝合金 Alloy aluminum	
	2 室外防水型 Outdoor waterproof IP66	2 2	2 2	2 2	1 24VDC/2.5W	2 2个NPT3/4"	2 80°30'H30	1
		3 3	3 3	2 24VDC/1.0W	3 2个NPT1/2" (带一体化电磁阀) With integrated solenoid valve	3 130°30'H30	2 SS316L	
		4 4	4 4	3 220VAC/3.0VA	4 2个NPT1/2" 2个NPT3/4"	4 130°30'H50		
		5 5	5 5		5 2个NPT1/2" 2-NPT3/4" (带一体化电磁阀) With integrated solenoid valve			
		6 6	6 6					
		7 7	7 7					
		8 8	8 8					
		9 9	9 9					
	0 0	0 0						

防爆电缆引入装置 Explosion-proof cable entry	环境温度 Ambient temperature	安全认证 Safety certificate
0 不带 Without	S -20~+60°C	空白 Blank 不带SIL认证 Without SIL certification
1 带1个 Take 1	L -40~+60°C	SIL 带SIL认证 With SIL certification
2 带2个 Take 2		
3 带3个 Take 3		
4 带4个 Take 4		

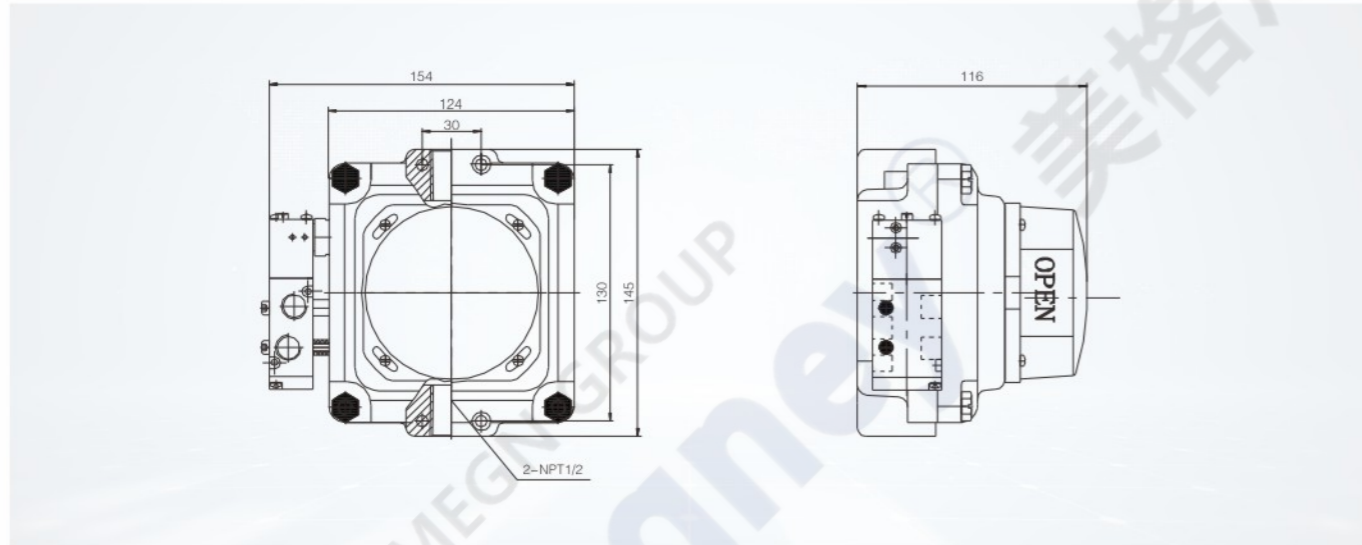
MLS1000-T

防爆限位开关
Explosion-proof Limit Switch

explosion-proof limit switch



外形尺寸 Outside Dimension

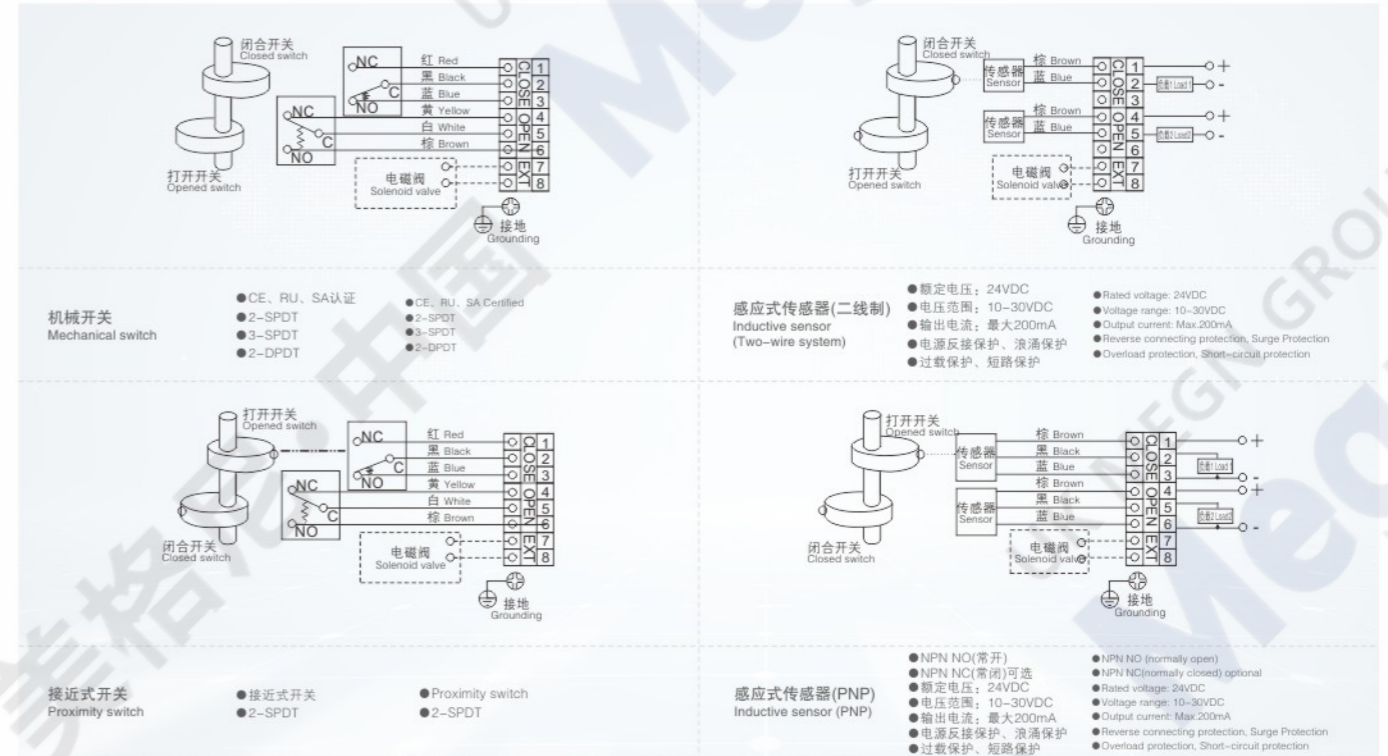


技术参数 Technical Parameters

防爆等级 Explosive-proof grade	Exd II BT6 Gb, Exd II CT6 Gb(隔爆型Flame-proof)
防护等级 Protection grade	IP66
电气接口 Electrical interface	2 × NPT1/2 或 2 × NPT3/4
开关类型 Switch type	机械式开关Mechanical switch: 2-SPDT; 2-DPDT 感应式传感器Inductive sensors: NPN; PNP; 二线制Two-wire system 接近式开关Proximity switch: 2-SPDT
触点容量 Contact capacity	阻性Resistive: 10A/24VDC; 0.3A/220VDC; 10A/220VAC 感性Inductive: 3A/24VDC; 0.05A/220VDC; 3A/220VAC
电磁阀 Solenoid valve	2.5W/24VDC; 1.4W/24VDC; 3.0VA/220VAC
指示器 Indicator	OPEN(黄Yellow); CLOSE(红Red); 0° -90°
材质 Material	铝合金Aluminum alloy
环境温度 Ambient temperature	-20°C ~ +60°C(标准型Standard type); -40°C ~ +60°C(低温型Low temperature type)
外形尺寸 Dimensions	154 × 145 × 116mm
重量 Weight	1.5kg



电气连接 Electrical Connections



订货谱式 Order Spectrum

型号 Model	防爆形式 Explosion-proof form	开关形式 Switch form	动作形式 Action form	— T — 电磁阀 Electromagnetic valve	电气接口 Electrical interface	安装支架 Mounting bracket	材质 Material
MLS1	1 隔爆型 Flame-proof Exdb II BT6 Gb	1 机械式 2-SPDT Mechanical 2-SPDT	1 转角 Corner	0 不带 Without	1 2个NPT1/2'	1 80°30'H20	0 铝合金 Alloy aluminum
	2 室外防水型 Outdoor waterproof IP66	2 机械式 2-DPDT Mechanical 2-DPDT	2	1 24VDC/2.5W	2 2个NPT3/4'	2 80°30'H30	1
		3		2 24VDC/1.0W	3 2个NPT1/2' (带一体化电磁阀) With integrated solenoid valve	3 130°30'H30	2 SS316L
		4 机械式 2-DPDT Mechanical 2-DPDT		3 220VAC/3.0VA	4 2个NPT1/2' 2个NPT3/4'	4 130°30'H50	
		5 传感器式 2-NPN NO Sensor type 2-NPN NO			5 2个NPT1/2' 2-NPT3/4' (带一体化电磁阀) With integrated solenoid valve		
		6 传感器式 2-NPN NO Sensor type 2-NPN NO					
		7					
		8					
		9 传感器式 (二线制) Sensor type (two-wire system)					
		0 接近式 2-SPDT Proximity 2-SPDT					

防爆电缆引入装置 Explosive-proof cable entry	环境温度 Ambient temperature	安全认证 Safety certificate
0 不带 Without	5 -20~+60°C	空白Blank 不带SIL认证 Without SIL certification
1 带1个 With 1	6 -40~+60°C	SIL 带SIL认证 With SIL certification
2 带2个 With 2		
3 带3个 With 3		
4 带4个 With 4		



MLS1000-R

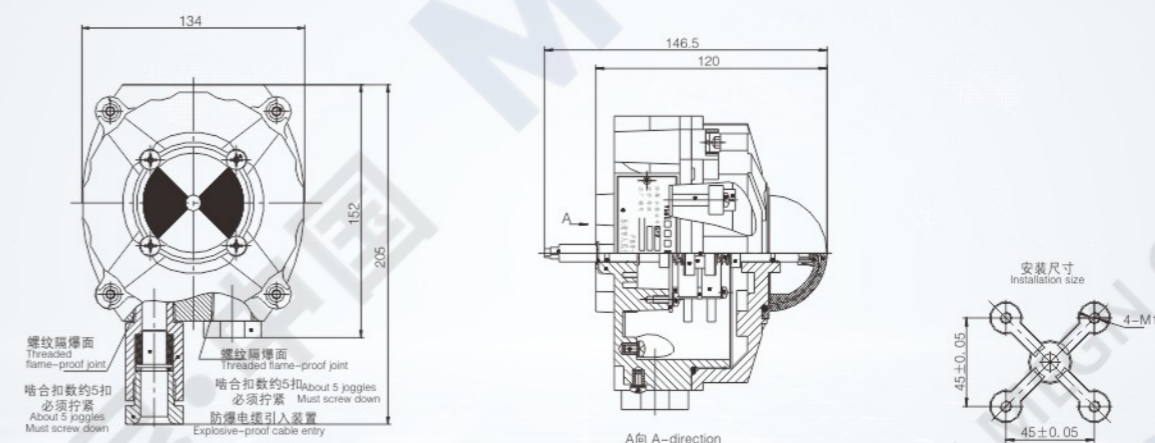
防爆限位开关

Explosion-proof Limit Switch

Explosion-proof limit switch



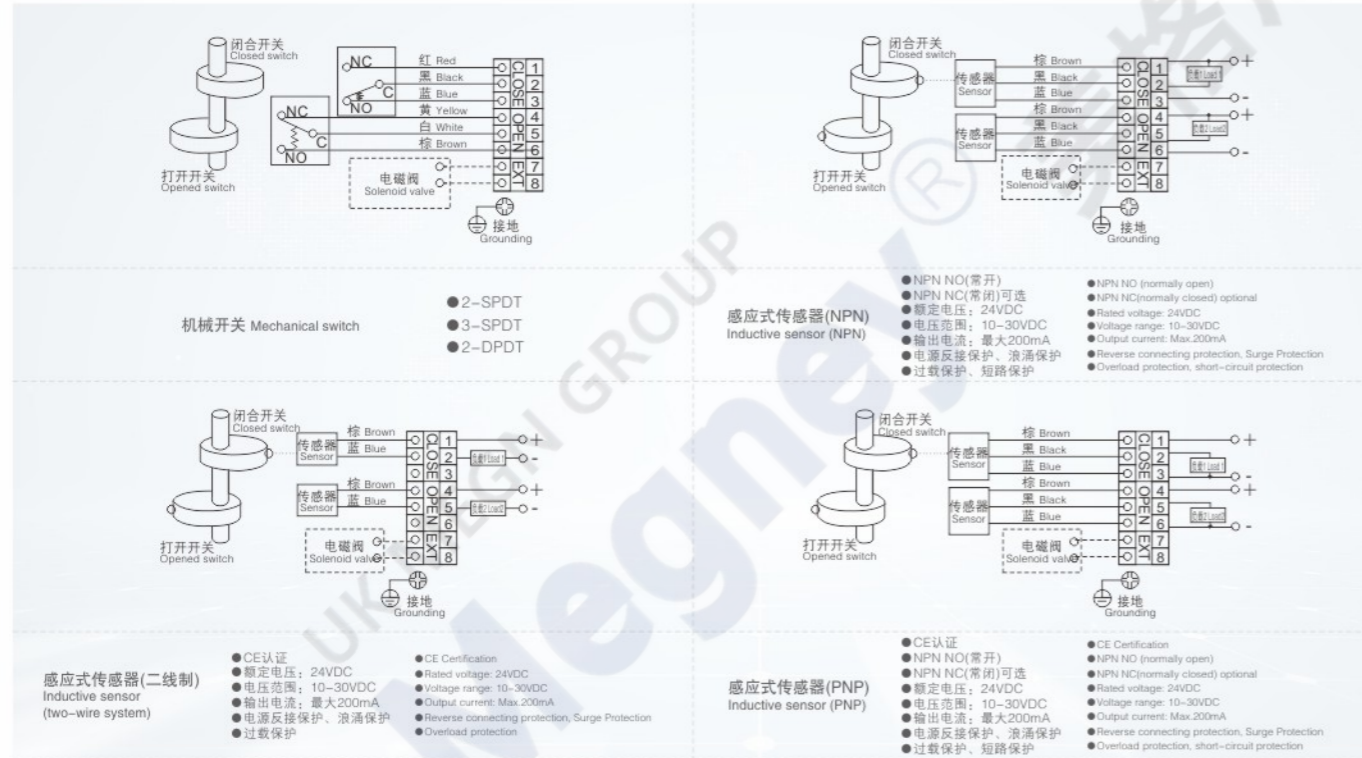
外形尺寸 Outside Dimension



技术参数 Technical Parameters

防爆等级 Explosive-proof grade	Exdb II CT6 Gb
防护等级 Protection grade	IP67
电气接口 Electrical interface	2 × NPT3/4; 4 × NPT3/4
开关类型 Switch type	机械式开关Mechanical switch: 2-SPDT; 3-SPDT; 4-SPDT; 2-DPDT 感应式传感器Inductive sensor: NAMUR; NPN; PNP; 二线制Two-wire system
触点容量 Contact capacity	阻性Resistive: 10A/24VDC; 0.3A/220VDC; 10A/220VAC 感性Inductive: 3A/24VDC; 0.05A/220VDC; 3A/220VAC
输出信号 Output signal	4-20mA(可选Optional)
指示器 Indicator	OPEN(黄Yellow); CLOSE(红Red); 0° -90°
材质 Material	铝合金Aluminum alloy
环境温度 Ambient temperature	-20°C ~ +60°C(标准型Standard type); -40°C ~ +60°C(低温型Low temperature type)
外形尺寸 Dimensions	134 × 152 × 146.5mm
重量 Weight	1.5kg

电气连接 Electrical Connections



MLS1000

防爆限位开关 Explosion-proof Limit Switch

explosion-proof limit switch

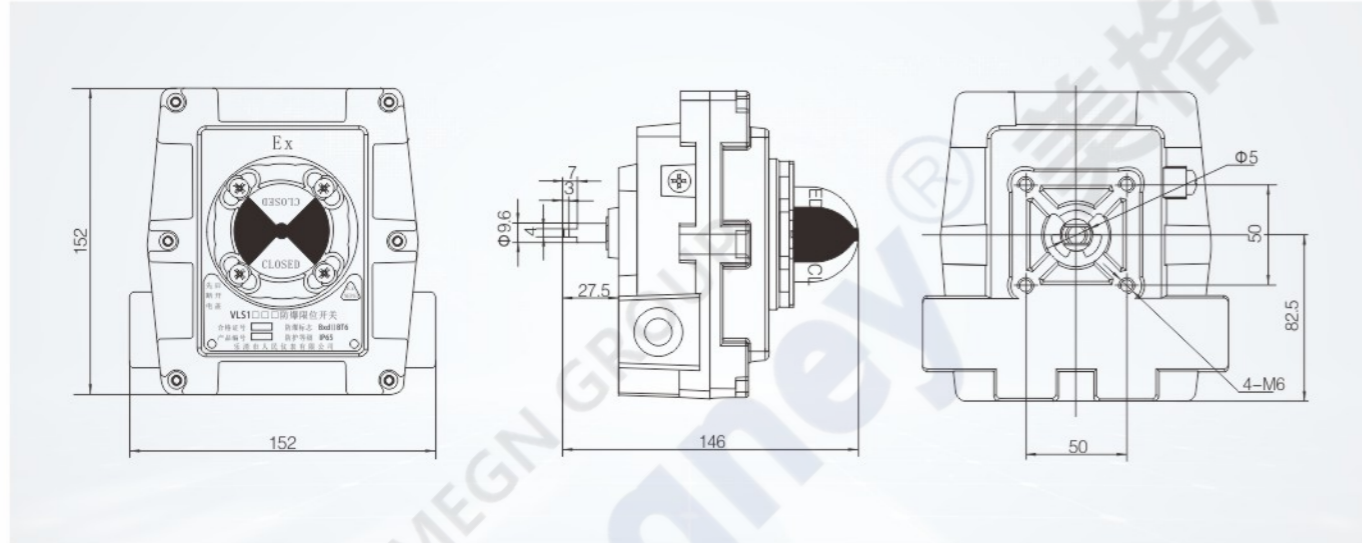
订货谱式 Order Spectrum

型号 Model	防爆形式 Explosion-proof form	开关形式 Switch type	动作形式 Action form	电气接口 Electrical interface	阀门反馈 Valve position feedback	防爆电缆引入装置 Explosive-proof cable entry	材质 Material
MLS1	1 隔爆型 Flame-proof ExdIICT6 Gb	1 机械式 2-SPDT Mechanical 2-SPDT	1 转角 Corner	— R — 2个 2个	0 不带 Without	0 不带 Without	0 合金铝 Alloy aluminum
	2 本安型 Intrinsic safe Exia II CT6 Ga	2 本安传感器 NAMUR Intrinsically safe sensor NAMUR	2	4 4个 4个	1 带4-20mA With 4-20mA	1 带防爆电缆引入装置 With explosion-proof cable entry	1
	3 室外防水型 Outdoor waterproof IP67	3 机械式 3-SPDT Mechanical 3-SPDT					2 不锈钢316L Stainless steel 316L
		4 机械式 4-SPDT Mechanical 4-SPDT					
		5 机械式 2-DPDT Mechanical 2-DPDT					
		6 传感器式 2-NPN NO Sensor type 2-NPN NO					
		7 传感器式 2-NPN NO Sensor type 2-NPN NO					
		8					
		9					
		0 传感器式 (二线制24VDC) Sensor type (Two-wire 24VDC)					
	A 感应接近开关 2-SPDT(1A/30VDC) Induction proximity switch 2-SPDT(1A/30VDC)						

环境温度 Ambient temperature	安全等级 Safety grade
S -20~+60°C	空白 Blank 无认证 No certification
L -40~+60°C	SIL 带SIL认证 With SIL certification



外形尺寸 Dimensions

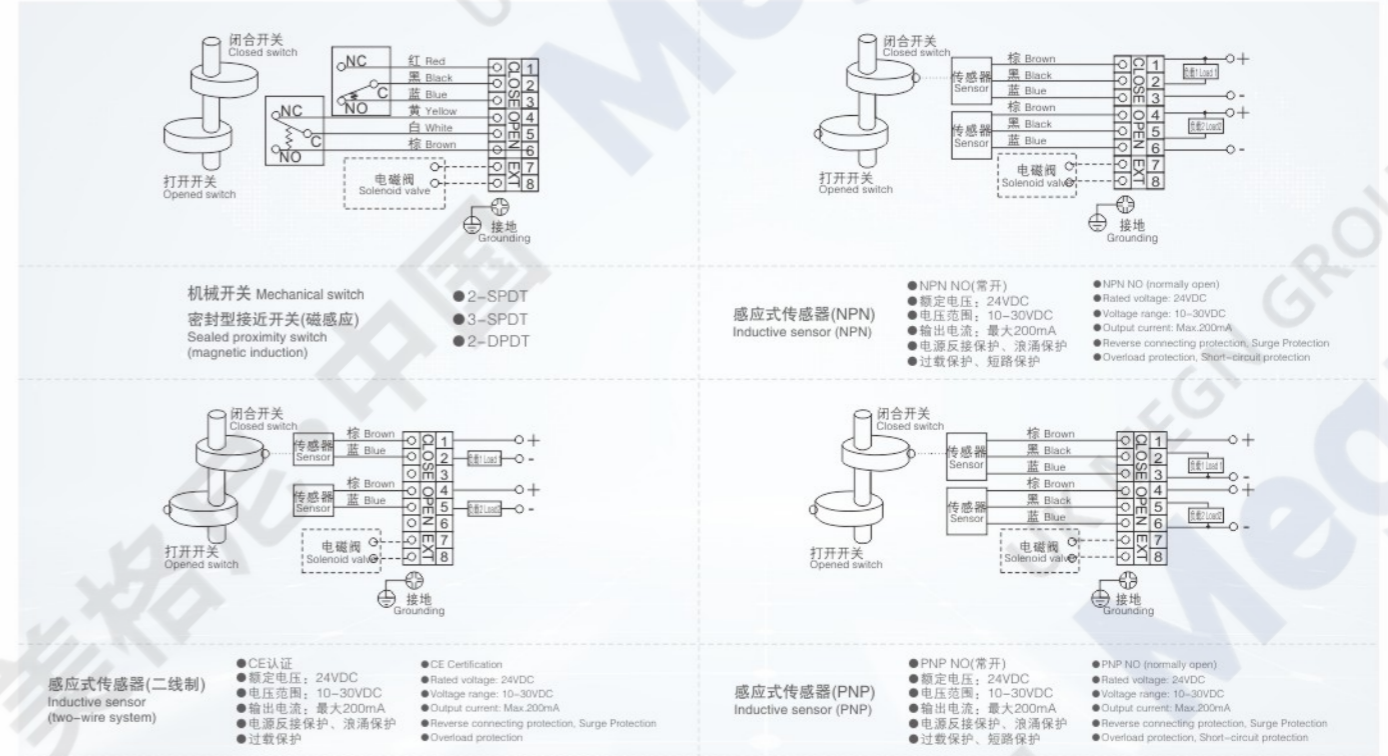


技术参数 Technical Parameters

防爆等级 Explosive-proof grade	Exdb II BT6 Gb(隔爆型Flame-proof)
防护等级 Protection grade	IP65
电气接口 Electrical interface	2 × G3/4
开关类型 Switch type	机械式开关Mechanical switch: 2-SPDT; 3-SPDT; 2-DPDT 感应式传感器Inductive sensor: NPN; PNP; 二线制Two-wire system 密封型接近式开关Sealed proximity switches: 2-SPDT(24VDC/1.0A)
触点容量 Contact capacity	阻性Resistive: 10A/24VDC; 0.3A/220VDC; 10A/220VAC 感性Inductive: 3A/24VDC; 0.05A/220VDC; 3A/220VAC
输出信号 Output signal	
指示器 Indicator	OPEN(黄Yellow); CLOSE(红Red); 0° -90°
材质 Material	铝合金Aluminum alloy
环境温度 Ambient temperature	-20°C ~ +60°C(标准型Standard type)
外形尺寸 Dimensions	152 × 152 × 146mm
重量 Weight	1.6kg



电气连接 Electrical Connections



订货谱式 Order Spectrum

型号 Model	防爆形式 Explosion-proof form	开关形式 Switch form	动作形式 Action form	环境温度 Ambient temperature
VLS1	1 隔爆型 Flame-proof ExdII BT6 Gb 2 3 室外防水型 Outdoor waterproof IP65	1 机械式 2-SPDT Mechanical 2-SPDT 2 3 机械式 3-SPDT Mechanical 3-SPDT 4 5 机械式 2-DPDT Mechanical 2-DPDT 6 传感器式 2-NPN NO Sensor type 2-NPN NO 7 传感器式 2-NPN NO Sensor type 2-NPN NO 8 9 0 传感器式(二线制) Sensor type (two-wire system) A 密封型接近开关 2-SPDT(1A/30VDC) Sealed Proximity switch 2-SPDT(1A/30VDC)	1 转角 Corner	S -20~+60°C



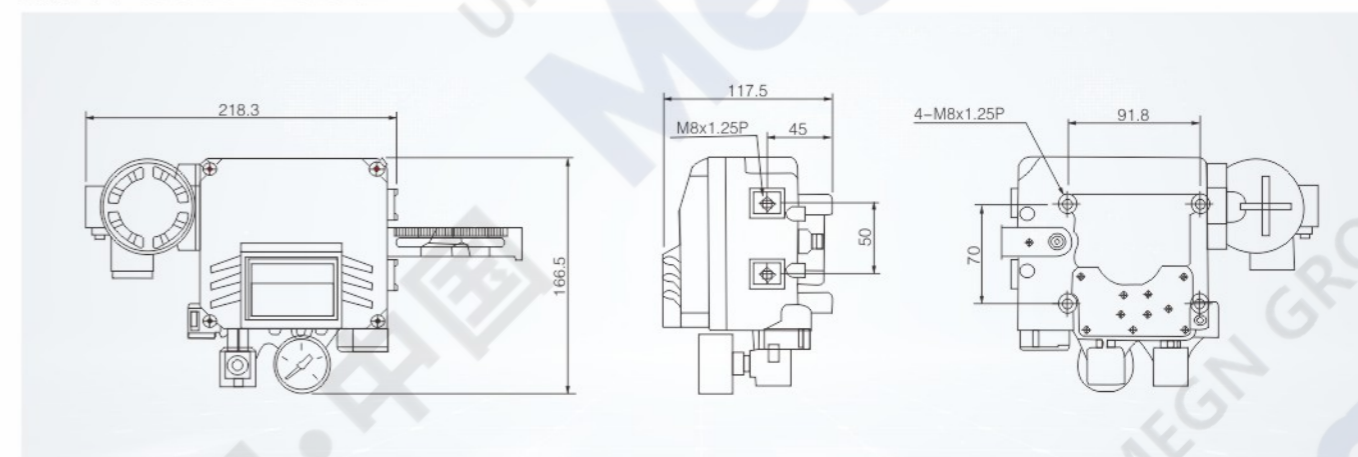
MP6000

电气阀门定位器

Electrical pneumatic valve positioner

Electrical pneumatic valve positioner

外形尺寸 Outside Dimension



技术参数 Technical Parameters

项目 \ 形式 Item/Form	单作用 Single-acting	双作用 Double-acting
输入信号 Input signal	4~20mA DC	
阻抗 Impedance	250 ± 15 Ohm	
输入压力 Input pressure	1.4~7kgf/cm ² (20~100Psi)	
行程范围 Travel range	10~150mm	
气源接口 Source gas interface	RC1/4	
压力表接口 Pressure gauge interface	M20 × 1.5	
电源接口 Power supply interface	G1/2	
防爆等级 Explosion-proof grade	Exdb II B T6 G6 Exdb II C T6 Gb Exia II C T6 Ga	
防护等级 Degree of protection	IP66	
环境温度 Ambient temperature	-20°C~70°C (-4~158°F)	
直线性 Linearity	± 1%F.S	± 2%F.S
滞后度 Hysteresis	± 1%F.S	
灵敏度 Sensitivity	± 2%F.S	± 0.5%F.S
重复性 Repeated	± 0.5%F.S	
空气消耗量 Air consumption	3LPM (Sup=1.4kgf/cm ² , 20Psi)	
流量 Flow	80LPM (Sup=1.4kgf/cm ² , 20Psi)	
材质 Material	压铸铝 Die cast aluminum	
重量 Weight	2.7kg (6.1lb)	



简介

电气阀门定位器MP6000是一种从控制器或控制系统中接受4~20mA直流电流信号，并向直行程气动执行机构输送空气来控制阀门位置的装置。

特征

- ◆在5~200Hz范围内无共振现象。
- ◆正向和反向，单作用和双作用之间可方便转换。
- ◆对于小型执行机构可通过缩小定位器的节流孔来防止振动。
- ◆空气消耗量少，经济性好。
- ◆不用更换零件就可以实现1/2范围内的分程控制。

Introduction

The electrical-pneumatic valve positioner MP6000 is a device that receives 4~20mA DC signals from the controller or control system and delivers air to the linear pneumatic actuator to control the valve position.

Feature

- ◆No resonance phenomenon in the range of 5~200Hz.
- ◆Convenient switch between forward and reverse, single and double actions
- ◆Allow small actuator to prevent vibration by the shrinking the throttle hole of the positioner
- ◆Small air consumption, good economical performance
- ◆Achieve split-control within 1/2 range only by simple operation without replacing parts.

选型代码 SModel selection code

MP6 1 2 3 - 4 5 6 7 - 8

1 动作方式Acting mode	1: 直行程Linear motion 2: 角行程Angular travel
2 作用型式Acting form	1: 单作用Single action 2: 双作用Double acting
3 防爆等级 Explosive-proof grade	1: ExdbII BT6 Gb 2: Exia II CT6 Ga 3: ExdbII CT6 Gb 4: 不防爆型 Non-explosion-proof
4 反馈杆Feedback road	直行程Linear motion 1: 10~40mm 2: 30~70mm 3: 60~100mm 4: 100~150mm 角行程Angular travel 1: M6 × 40 2: M6 × 63 3: M8 × 40 4: M8 × 63 5: NAMUR
5 节流孔Throttle hole	1: Φ1 2: Φ2 3: None
6 环境温度Ambient temperature	1: 标准型Standard type: -20~70°C 2: 低温型Low temperature type: -40~70°C
7 选用配件Selected parts	0: 无None 1: + 阀位变送器(内置)+ Valve position transmitter (Built-in) 备注Note 1 2: + 阀位变送器(外置)+ Valve position transmitter (Outside) 备注Note 2 3: + 限位开关(外置)+ limit switch (Outside)
8 安全认证Safety certificate	空白: 无认证Blank: Without SIL certificate SIL: 带SIL认证SIL: With SIL certification

备注1: 当定位器为不防爆型和本安型时，阀位变送器可选内置。
Remark 1: For non-explosion-proof or intrinsically safe positioners, the built-in valve position transmitter may be selected.

备注2: 当定位器为防爆型及粉尘防爆时，阀位变送器必须选外置。
Remark 2: For explosion-proof positioner, the valve position transmitter must be installed outside.

MPL210/310N

防水型开关

Water-proof Switch



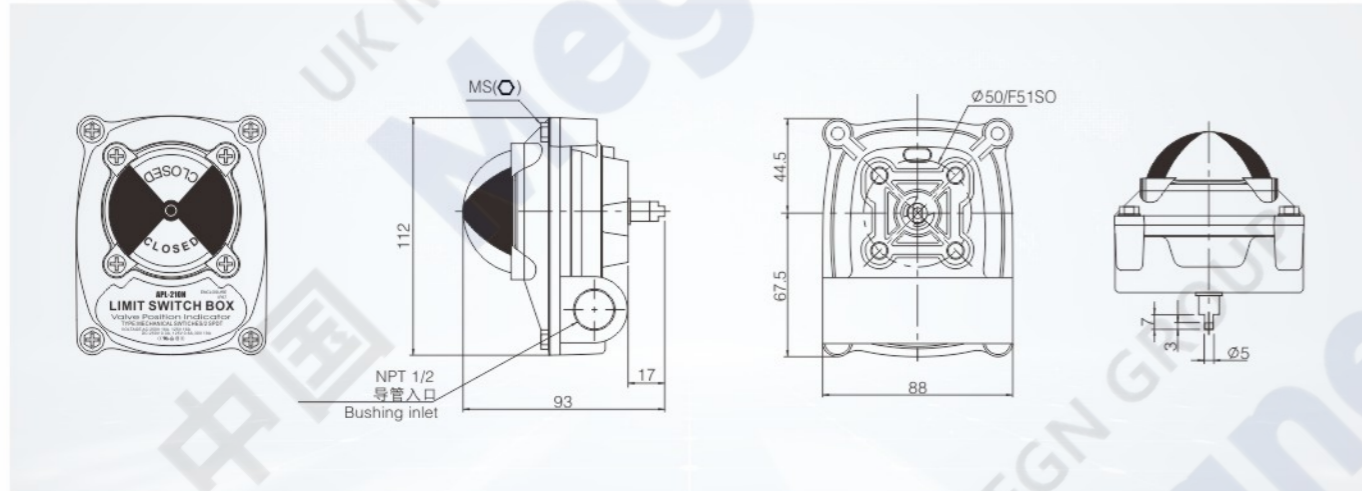
特点

- ◆ **坚固紧凑的设计**
铝压铸外壳和粉末涂层。
- ◆ **可视位置指示器上的螺栓**
- ◆ **快装凸轮**
弹簧加载花键凸轮。
无需再次调整初始设置。
无需工具即可轻松设置。
- ◆ **双电缆入口**
2-1/2 NPT
- ◆ **固定盖螺栓**
不用担心在盖子打开时松开螺栓。
- ◆ **简易安装支架**
NAMUR标准不锈钢轴和支架。

Features

- ◆ **Firm and compacted design**
Die-case aluminum housing and powder coating
- ◆ **Bolts on visible position indicator**
- ◆ **Quick installation cam**
Spring loaded serrated cam
Need no adjustment to initial setting
Can be set easily without any tool
- ◆ **Double cable entry**
2-1/2 NPT
- ◆ **Fixed-cover bolt**
No worry about unscrewed bolt when opening the cover
- ◆ **Easy installation bracket**
NAMUR standard stainless steel shaft and bracket.

MPL210N 尺寸系列 Size series



支架 Bracket



型号Model	材料Material	应用Application
MBP-100	不锈钢Stainless steel	30*80*h20
MBP-200	不锈钢Stainless steel	30*80*h30
MBP-300	不锈钢Stainless steel	30*130*h30
MBP-400	不锈钢Stainless steel	30*130*h50



规格	标准	选项	材料	
外壳	防风化IP67/NEMA4&4X	IP6X	外壳盖和主体	铝铸件
环境温度	-20°C~60°C;		轴	不锈钢
导管入口	2-NPT1/2	2-NPT1/2	指示器盖 指示器	聚碳酸酯 ABS/聚碳酸酯
终端提示	8积分(0.08~2.5mm²)		卡帽	聚碳酸酯
位置指示器	关闭: 红色/打开: 黄色	关闭: 红色/打开: 绿色	弹簧 外壳盖螺栓	不锈钢 不锈钢
开关	机械开关 × 2 10A/24VDC; 10A/220VAC; 0.3A/250AC	接近传感器 × 2 100mA/24VDC	O-形圈 衬套	丁腈橡胶 青铜
外涂层	聚酯粉末涂料(黑色)	红/绿/蓝/黄/银色尼龙涂层	E-形环(轴) 接地片	不锈钢 不锈钢
轴	标准轴(17mm)	长轴	支架	不锈钢

Specification	Standart	Option	Material	
Housing	Weather proof IP67/NEMA4&4X	IP6X	Housing cover & body	Aluminium die-casting
Ambient temperature	-20°C~60°C;		Shaft	Stainless steel
Bushing inlet	2-NPT1/2	2-NPT1/2	Indicator cover Indicator	Polycarbonate ABS/Polycarbonate
Terminal prompt	8 Credits(0.08~2.5mm²)		Cap	Polycarbonate
Position indicator	Closed: red Open: yellow	Closed: red Open: green	Spring Housing bolt	Stainless steel Stainless steel
Switch	Mechanical switch × 2 10A/24VDC; 10A/220VAC; 0.3A/250AC	Proximity sensor × 2 100mA/24VDC	O-ring Bushing	NBR Bronze
Outer coating	Polyester powder coating(Black)	Red/green/blue/yellow/ silver nylon coating	E-ring(shaft) Earth lug	Stainless steel Stainless steel
Shaft	Standard shaft(17mm)	Long shaft	Bracket	Stainless steel



SEP8000

智能阀门定位器

Intelligent Valve Positioner



工作原理 Working Principle

SEP8000系列智能总线阀门定位器，用于控制气动直行程或角行程执行机构，定位器接收标准电流信号或计算机信号，驱动气动执行机构使阀门达到给定值的位置。智能定位器由压电气动放大器、阀位传感器、控制计算机等组成。

定位器采用德国HOERBIGER-ORIGA公司先进的压电阀和气动放大器作为气压驱动装置，压电阀片的响应时间小于2mS、压电气动放大器响应时间小于20mS，可以使阀门达到很高的调节精度和较快的响应时间，定位器本身不耗气，阀门一旦定位，其耗气量可以忽略不计。

智能定位器为两线制，供电取自4-20mA输入电流信号，信号压降9.2V，相当于负载电阻460Ω，可以直接取代传统的喷嘴挡板结构定位器；定位器可带4-20mA位置反馈模块、限位开关模块、HART模块或其他总线模块。

CPU采用先进的PID模糊控制软件，运行中PID参数自动整定，控制快速、平稳、准确。32个字符液晶显示器和4个按键，满足参数输入、零点满量程的校准、分程；调校阀门无需任何附加设备，就可以在现场完成。

可选择测量膜头的压力传感器，对照历史计录可以方便自诊断功能。自诊断功能包括：压缩空气停止、阀门卡死、定位器故障、阀门定位时间、膜头或气缸的泄漏、填料的磨损、阀芯的磨损等参数。

SEP8000 series intelligent bus valve positioner is used to control pneumatic actuators with linear motion or angular travel. The positioner receives standard current signal or computer signal, and drives the pneumatic actuator to make the valve reach the given value position. The intelligent positioner is composed of piezoelectric pneumatic amplifier, valve position sensor and control computer.

The positioner adopts the advanced piezoelectric valve and pneumatic amplifier produced by German HOERBIGER-ORIGA as its pneumatic driving device. It is featured with less than 2mS response time of the piezoelectric valve plate, less than 20mS response time of the piezoelectric pneumatic amplifier, which make the valve achieve a high adjustment accuracy and fast response. The positioner itself does not consume air. When the valve is positioned, the air consumption of the positioner is negligible.

Intelligent positioner is a two-wire system, which accepts power supply from 4-20mA input current signal with 9.2V signal voltage drop, equivalent to 460Ω load resistance. It can directly replace the traditional nozzle baffle structure positioner; The positioner can have 4-20mA position feedback module, limit switch module, HART module or other bus modules.

CPU adopts the advanced PID fuzzy control software, for which, the PID parameters can be automatically set in operation, thus achieving fast, stable and accurate control. 32 characters LCD display and 4 keys meet the needs of parameter input, zero and full-range calibration, and range slit; and the valves can be adjusted and calibrated on site without any additional equipment.

The pressure sensors can be selected to measure the film head, so to facilitate self-diagnosis by comparing with historical records conveniently. Self-diagnosis functions include: compressed air stop, valve stuck, positioner fault, valve positioning time, film head or cylinder leakage, stuffing abrasion, valve core abrasion and other parameters.

主要技术参数

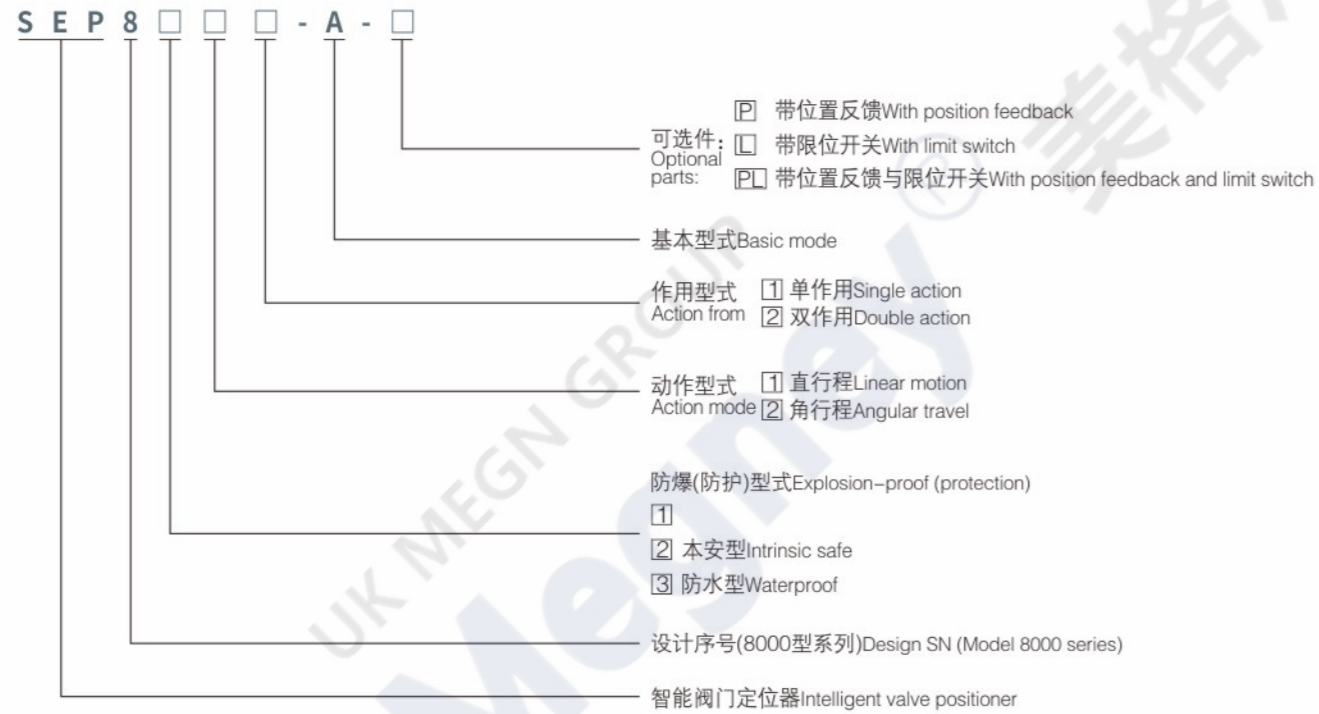
- ◆过载电流: 60mA
- ◆灵敏度: 0.08mA或 $\pm 0.5\%$
- ◆阀门线性: 1.0%
- ◆阀门调节精度: 0.5%
- ◆重复性: 0.5%
- ◆两端死区: 2%
- ◆位置反馈输出: 4-20mA
- ◆限位开关范围: 2个限位开关, 范围0-100%, NPN(集电极开路)输出
- ◆系统响应时间: 50mS
- ◆稳定时间: <2.5S, 在满足 $\pm 1.0\%$ 精度下, 用25mm行程执行机构测得
- ◆A/D精度: 12Bit, <0.02%
- ◆A/D扫描时间: 5ms
- ◆PWM(D/A)精度: 16Bit
- ◆温度影响: <0.1%/10K
- ◆测量周期: 10mS

Main Technical Parameters

- ◆Overload current: 60mA
- ◆Sensitivity: 0.08mA or $\pm 0.5\%$
- ◆Valve linearity: 1.0%
- ◆Valve adjustment accuracy: 0.5%
- ◆Repeated: 0.5%
- ◆Ead zones at both ends 2%
- ◆Position feedback output: 4-20mA
- ◆Limit switch range: 2 limit switches, range 0-100%, NPN (open collector) output
- ◆System response time: 50mS
- ◆Stabilized time: <2.5S, satisfying $\pm 1.0\%$ precision condition, Measured by 25mm travel actuator
- ◆A/D precision: 12Bit, <0.02%
- ◆A/D scan time: 5ms
- ◆PWM (D/A) precision: 16Bit
- ◆Temperature impact: <0.1%/10K
- ◆Measurement period: 10mS

注: 当行程小于14.3mm时, 安装角度太小时, 由于机械微小传动导致角度的测量值大小, 可能会影响线性稍差, 但最大不超过1.5%。
Note: if the travel is less than 14.3mm, and the installation angle is too small, the measured value of angle might be smaller due to the micro mechanical transmission, which can slightly affect the linearity, but the error won't exceed 1.5%

订货谱式 Order Spectrum



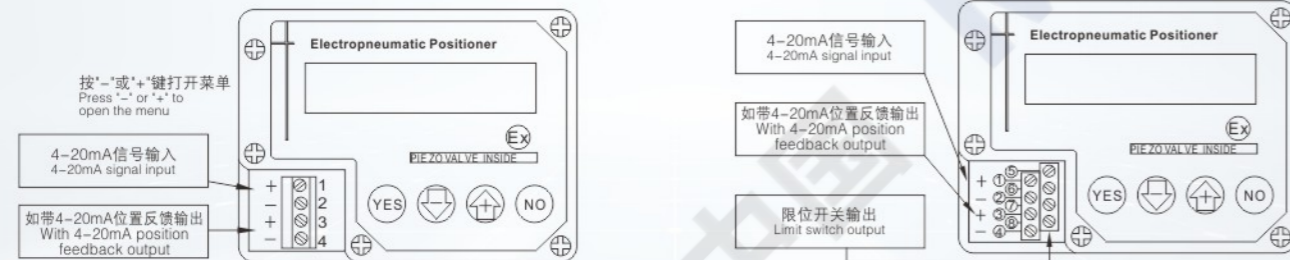
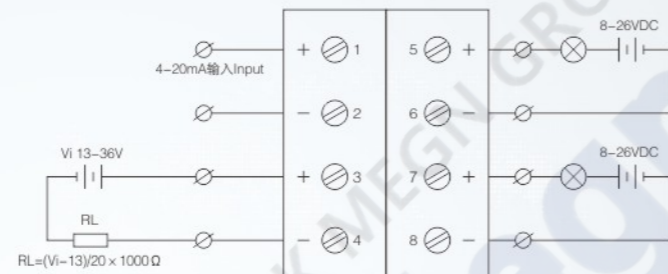
定位器接线 Wiring of Positioner

选用带屏蔽的导线, 按规范接地。

- ①/②: 4-20mA输入信号 +/-
- ③/④: 4-20mA输出信号 +/- (位置反馈信号)
- ⑤/⑥: 限位开关1输出 +/-
- ⑦/⑧: 限位开关2输出 +/-

Select shielded cable and ground according to relative norms.

- ①/②: 4-20mA input signal +/-
- ③/④: 4-20mA output signal +/- (position feedback signal)
- ⑤/⑥: Limit switch 1 output +/-
- ⑦/⑧: Limit switch 2 output +/-



结构尺寸 Structure Size

定位器采用铝合金外壳, 表面喷塑、防腐处理, 裸露元件采用不锈钢材料, 能用于腐蚀性场合。

内部电路采用优质电子元件装配, 铝合金外壳抗干扰屏蔽, 出厂前都经过老化试验; 打开外壳可抵抗5W的对讲机在零距离下任何方向对定位器的任何干扰。

The positioner adopts the aluminum alloy housing with plastic-sprayed and corrosion resisted surface. The exposed components are made of stainless steel material, which can be used in corrosive situations.

Internal circuit is assembled by premium electronic components. The aluminum alloy housing can resist and shield interference. All products have accepted aging tests before delivery; After opening the housing, it can resist any interference of 5W walkie-talkie at any direction in zero distance.

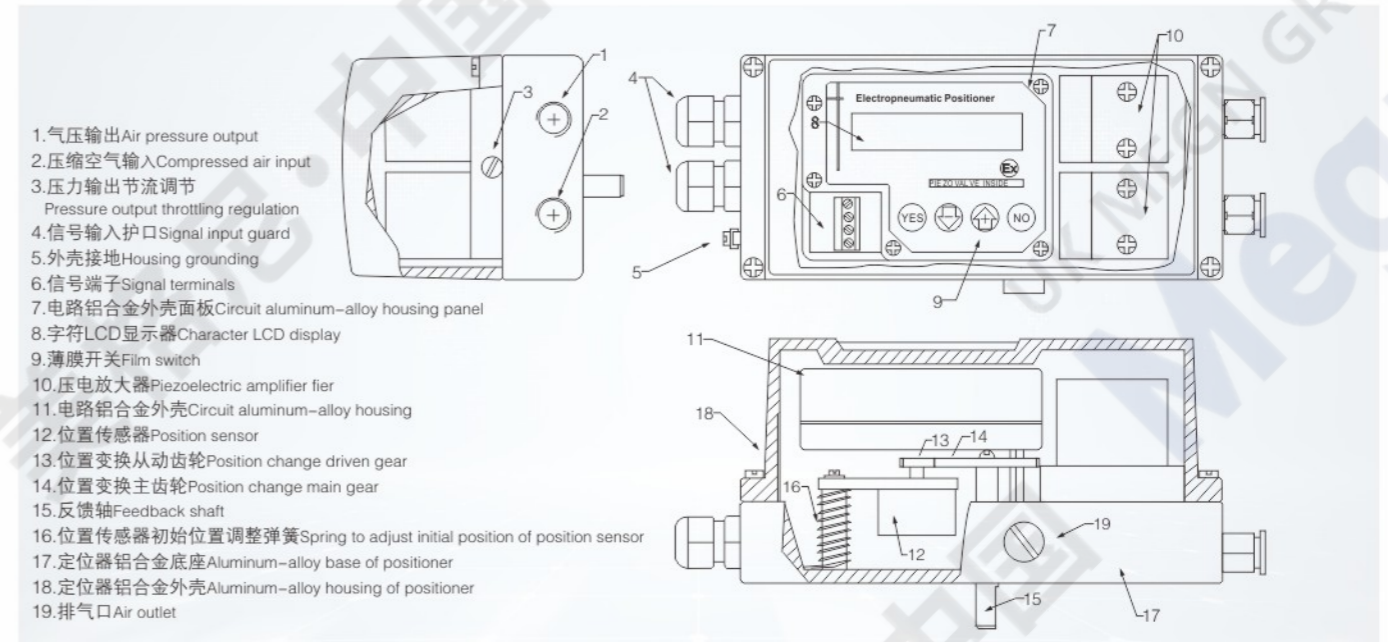


图2 智能定位器部件图 Figure 2 Components diagram of intelligent positioner

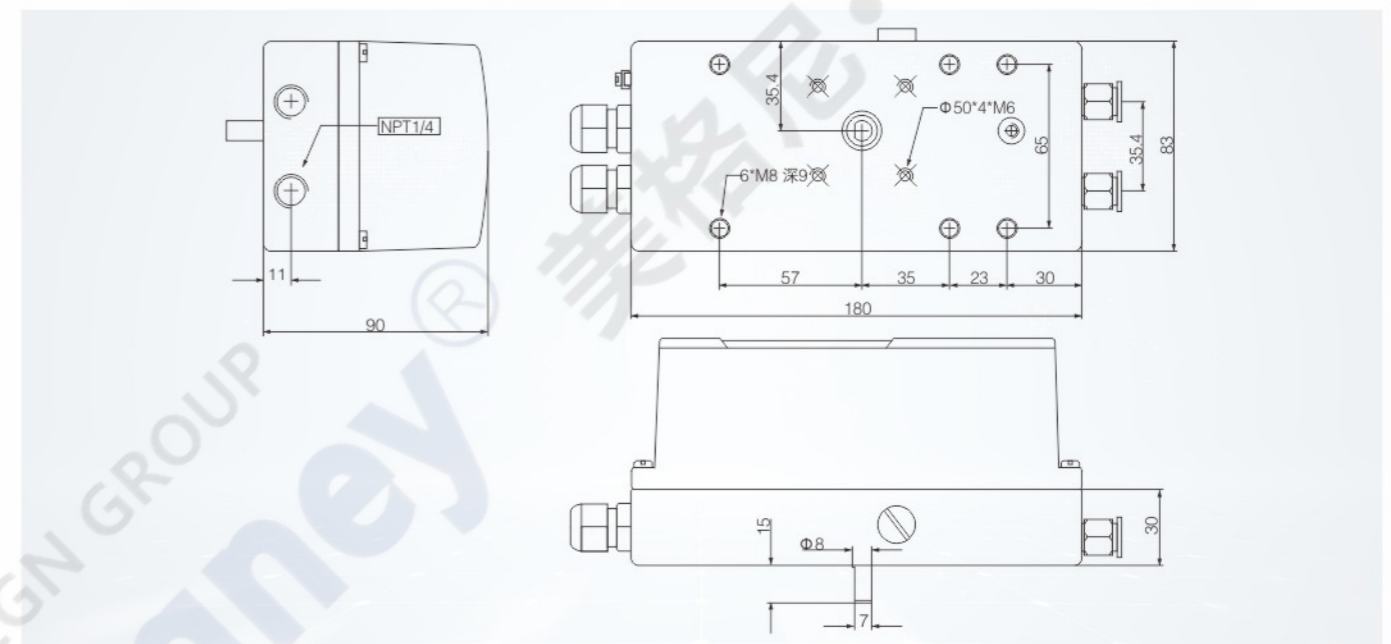


图3 智能定位器外形安装尺寸图 Figure 3 Installation size diagram of intelligent positioner

MIT5000

阀位变送器

Valve Position Transmitter



简介

MIT5000系列阀位变送器是将直行程的阀位距离或角行程的旋转角度转换成4-20mA标准直流信号的装置。

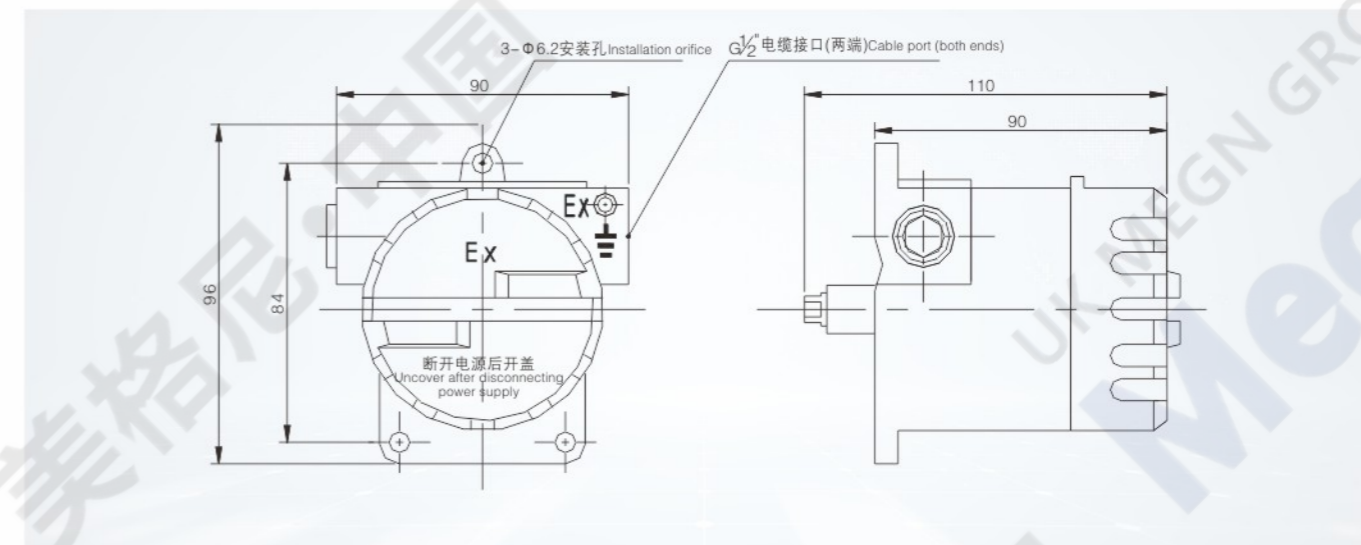
该产品具有复合防爆性能，隔爆型符合Exd II CT6 Gb 要求。

Introduction

The valve position transmitter of MIT5000 series is a device that converts the valve position distance of linear-motion or the rotation angle of angular travel into 4-20mA standard DC signal.

The product has compound explosion-proof performance, while the flame-proof type meets the requirements of Exd II CT6 Gb.

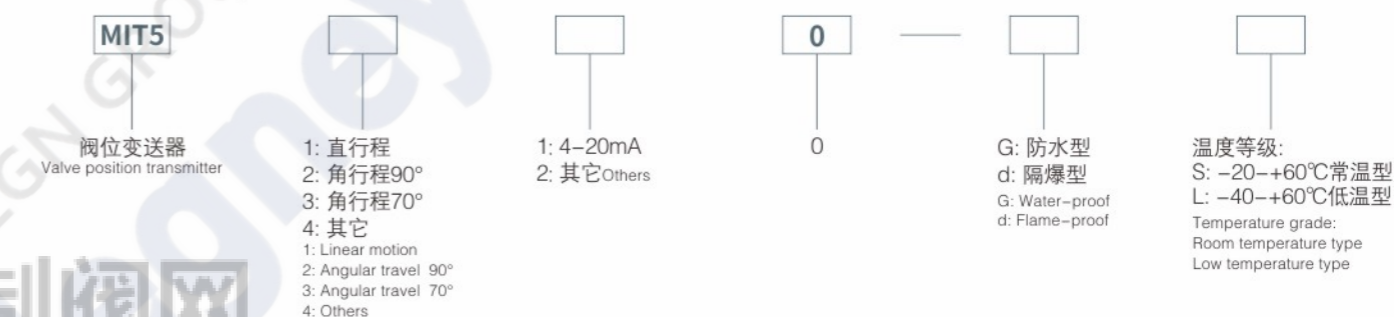
外形尺寸 Outside Dimension



技术参数 Technical Parameters

输入 Input	直行程 Linear motion 36° ± 5°	角行程 Angular travel 0° ± 90°
输出 Output	4-20mA	
供电电压 Supply voltage	12-32VDC	
线性度 linearity	1.5%	
回差 Return difference	1%	
防护等级 Protection grade	IP65	
防爆等级 Explosive-proof grade	隔爆型 (Flame-proof) Exdb II CT6 Gb	
电气接口 Electrical interface	2-G1/2	
环境温度 Ambient temperature	-20°C ~ +60°C 常温型 (Room temperature type) S	-40°C ~ +60°C 低温型 (Low temperature type) L
重量 Weight	0.8Kg	
托架 Bracket	可选配件 Optional accessories	

订货谱式 Order Spectrum





Z3

551隔爆型电磁阀

551 Flame-proof Solenoid Valve



概述

整体材质: 不锈钢316L
 防护等级: IP65
 操作压力: 2-7bar
 工作介质: 空气(过滤精度40 μm)
 流量: 700l/min(在6bar条件下)
 环境温度: -20~+60°C (S: 常温型)
 -40~+60°C (L: 低温型)
 电气接口: 1/2NPT(内)
 气路接口: G1/4(进气)
 2-G1/4(排气)
 两个NAMUR界面出口
 材质: 阀体(合金铝)
 重量: 1.0Kg(单线圈)
 1.5Kg(双线圈)

特点

- ◆ 隔爆型防爆结构, 适用于
爆炸性气体危险区域: 1区、2区
爆炸性粉尘危险区域: 21区、22区
- ◆ 防爆标志: Exdb II BT6 Gb
Exdb II CT6 Gb
- ◆ 采用国际标准的NAMUR连接尺寸同一电磁阀可配接为3/2常闭或5/2
- ◆ 单线圈或双线圈
- ◆ 标准配置手动操作器

电气特性

标准电压: DC(=): 24V AC(~): 220V
 额定功率: 3.0W/24VDC 5.0VA/220VAC

Overview

Overall material: Stainless steel 316L
 Protection grade: IP65
 Operating pressure: 2-7bar
 Working medium: air (filtration precision 40 μm)
 Flow: 700l/min (under condition of 6bar)
 Ambient temperature: -20~+60°C (S: normal temperature type)
 -40~+60°C (L: low temperature type)
 Electrical interface: 1/2NPT (inside)
 Gas interface: G1/4 (Inlet)
 2-G1/4 (Outlet)
 Two NAMUR interface outlets
 Material: Valve body (aluminum alloy)
 Weight: 1.0Kg (single-coil)
 1.5Kg (Double-coil)

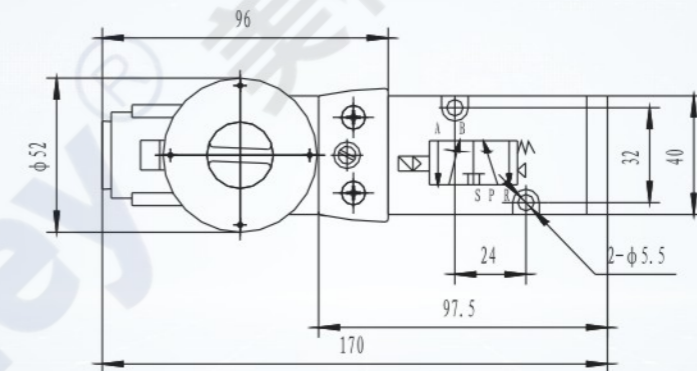
Features

- ◆ Flame-proof explosion-proof structure is applicable to
Regions with explosive gas risks: Zone 1, Zone 2
Regions with explosive dust risks: Zone 21, Zone 22
- ◆ Explosion-proof sign: Exdb II BT6 Gb
Exdb II CT6 Gb
- ◆ Adopt international standard NAMUR connection size, a same solenoid valve can be 3/2 normally closed or 5/2
- ◆ Single-coil or double-coil
- ◆ Standard configuration manual operator

Electrical Features

Standard voltage: DC(=): 24V AC(~): 220V
 Rated power: 3.0W/24VDC 5.0VA/220VAC

尺寸Size(mm)

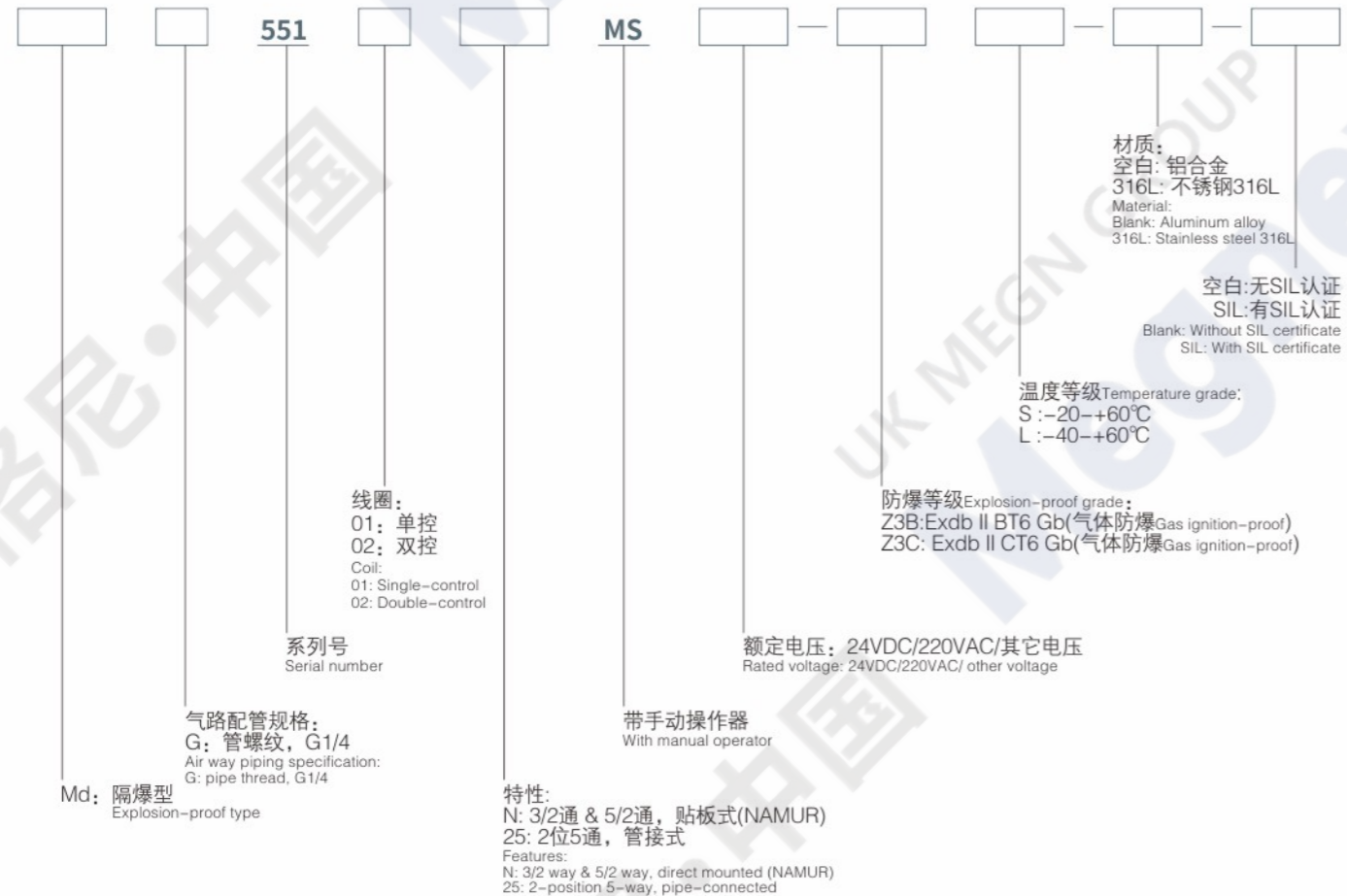


规格 Specifications

操作压差(bar)
Operating pressure difference

管径 Pipe diameter	通径 Diameter	流量系数 Flow coefficient		最小 Min.	最大Max.	线圈类型 Coil type	型号Model
		(m³/h)	(l/min)		空气/气体 Air/gas		
(G)	(mm)	(m³/h)	(l/min)	~/=	~/=	(C)	(M)
单线圈, 先导式-弹簧复位(单稳态) Single-coil, piloted-spring reset (monostable state)							
1/4	6	0.6	10	2	8	Ed001-24VDC Ed001-220VAC	1 ○ Md G551 01 N MS 参考选型表Reference model selection table
双线圈, 先导式-气动复位(双稳态) Double-coil, piloted-pneumatic reset (bistable state)							
1/4	6	0.6	10	2	8	Ed001-24VDC Ed001-220VAC	2 ○ Md G551 01 N MS 参考选型表Reference model selection table

选型谱式 Selection spectrum

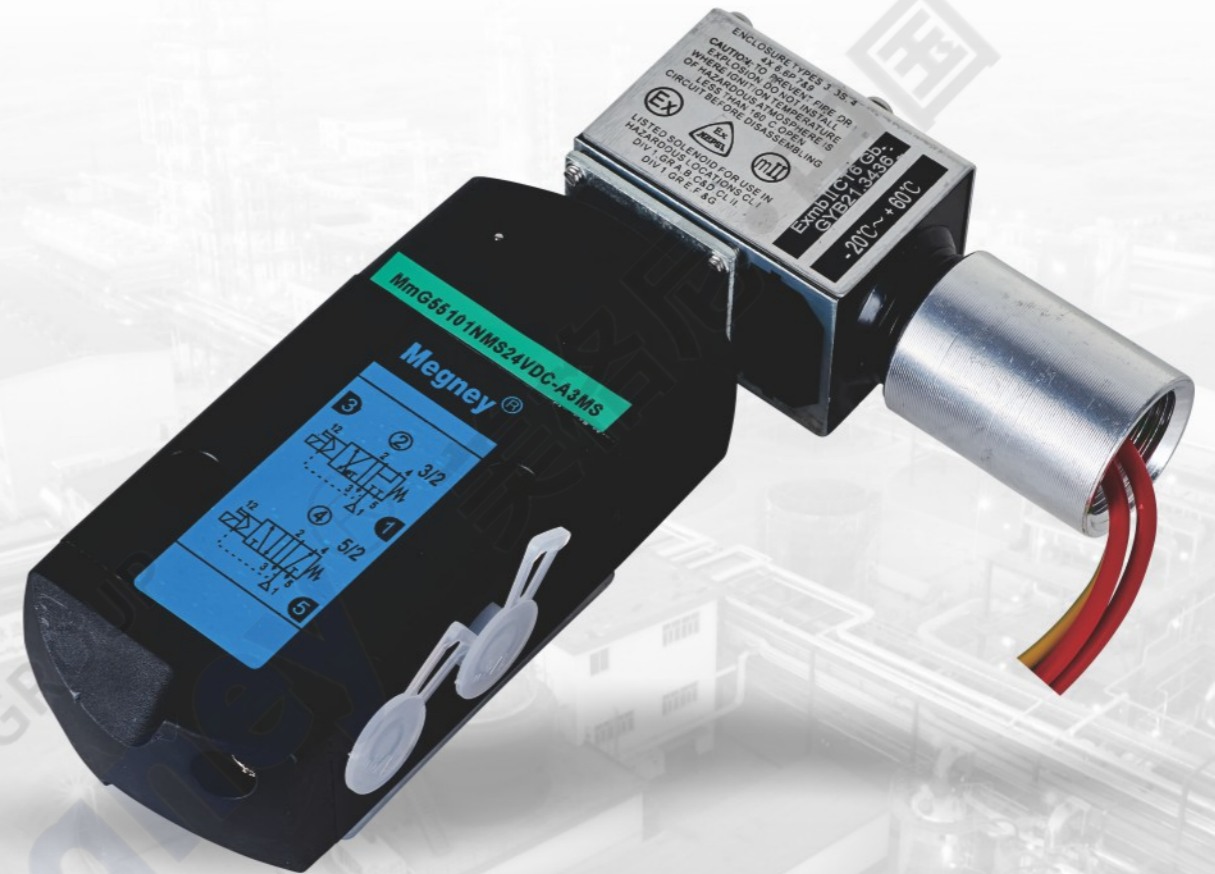


A3

浇封型电磁阀

Encapsulation solenoid valve

Encapsulation solenoid valve





不需配管，直接安装，浇封型防爆电磁阀(NAMUR界面)

Direct install without piping, encapsulation explosion-proof solenoid valve (NAMUR interface)

概述

操作压力: 2-10bar
工作介质: 空气(过滤精度5-20µm)
流量: 700l/min(在6bar条件下)
环境温度: -20~+60°C
电气接口: NPT1/2"
气路接口: G1/4"(进口)
 2-G1/8"(排气)
 2-NAMUR 界面出气口
电线长度: 600mm
材质: 阀体(合金铝)
重量: 0.5Kg(单线圈)
 0.8Kg(双线圈)

Overview

Operating pressure: 2-10bar
Working medium: air (filter precision 5-20µm)
Flow: 700l/min(under condition of 6bar)
Ambient temperature: -20~+60°C
Electrical interface: NPT1/2"
Gas interface: G1/4"(inlet)
 2-G1/8"(Outlet)
 2-NAMUR air outlet
Wire length: 600mm
Material: Valve body (aluminum alloy)
Weight: 0.5Kg(Single-coil)
 0.8Kg(Double-coil)

特点

- ◆浇封型防爆结构
适用于爆炸性危险场所: 1区、2区
- ◆采用国际标准的NAMUR连接尺寸
- ◆同一电磁阀可配接为3/2常闭或5/2
- ◆单线圈或双线圈
- ◆标准配置手动操作器
- ◆防爆标志: ExmbIICT6 Gb

Features

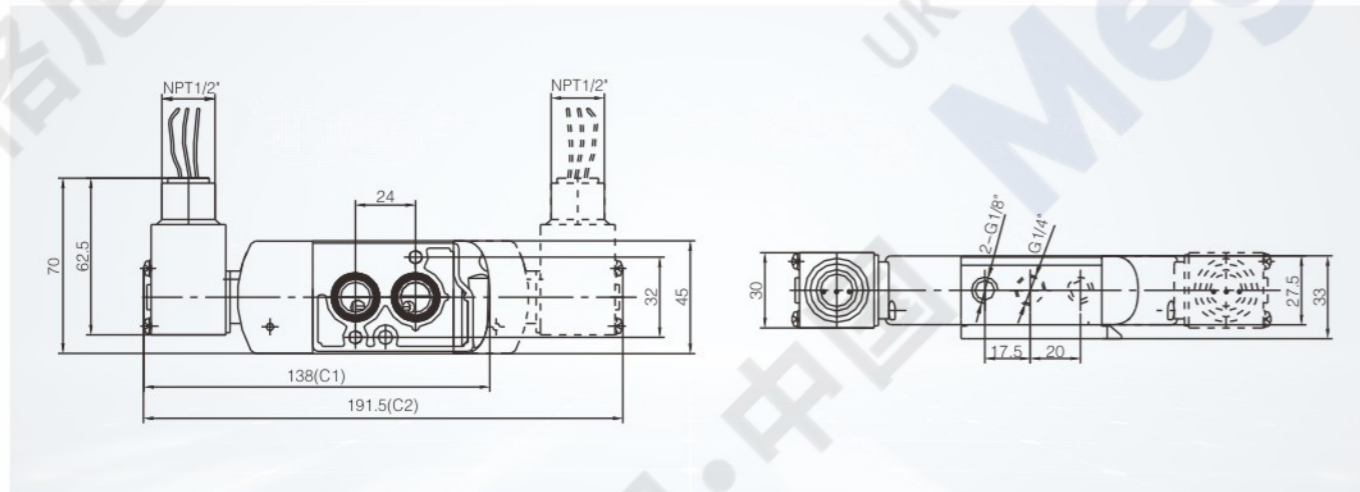
- ◆Encapsulation explosion-proof structure
Applicable for places with explosion risks: Zone 1, Zone 2
- ◆Adopt international standard NAMUR connection size
- ◆One solenoid valve can be 3/2 normally closed or 5/2
- ◆Single-coil or double-coil
- ◆Standard configuration manual operator
- ◆Explosion-proof sign: ExmbIICT6 Gb

电气特性

标准电压: DC(=): 24V AC(~): 220V
线圈类型: Mm551100:24VDC Mm551101:220VAC
额定功率: 3.5W/5VA

Electrical Features

Standard voltage: DC(=): 24V AC(~): 220V
Coil type: Mm551100:24VDC Mm551101:220VAC
Rated power: 3.5W/5VA



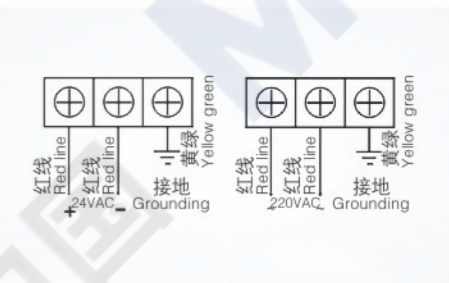
规格 Specifications

管径 Pipe diameter	通径 Diameter	流量系数 Flow coefficient	最小 Min.	操作压差(bar) Operating pressure difference		电压等级 Voltage grade	最大Max.		型号Model
				空气/气体 Air/gas	~/=		(C)	(M)	
(G)	(mm)	(m³/h)	(l/min)	~/=	~/=		(C)	(M)	
单线圈, 先导式-弹簧复位(单稳态), 常闭Single-coil, piloted-spring reset (monostable state), normally closed									
1/4	6	0.6	10	2	10	24VDC 220VAC	C1	○	MmG551 01N MS 24VDC MmG551 01N MS 220VAC
双线圈, 先导式-气动复位(双稳态)Double-coil, piloted-pneumatic reset (bistable state)									
1/4	6	0.6	10	2	10	24VDC 220VAC	C2	○	MmG551 02N MS24VDC MmG551 02N MS220VAC

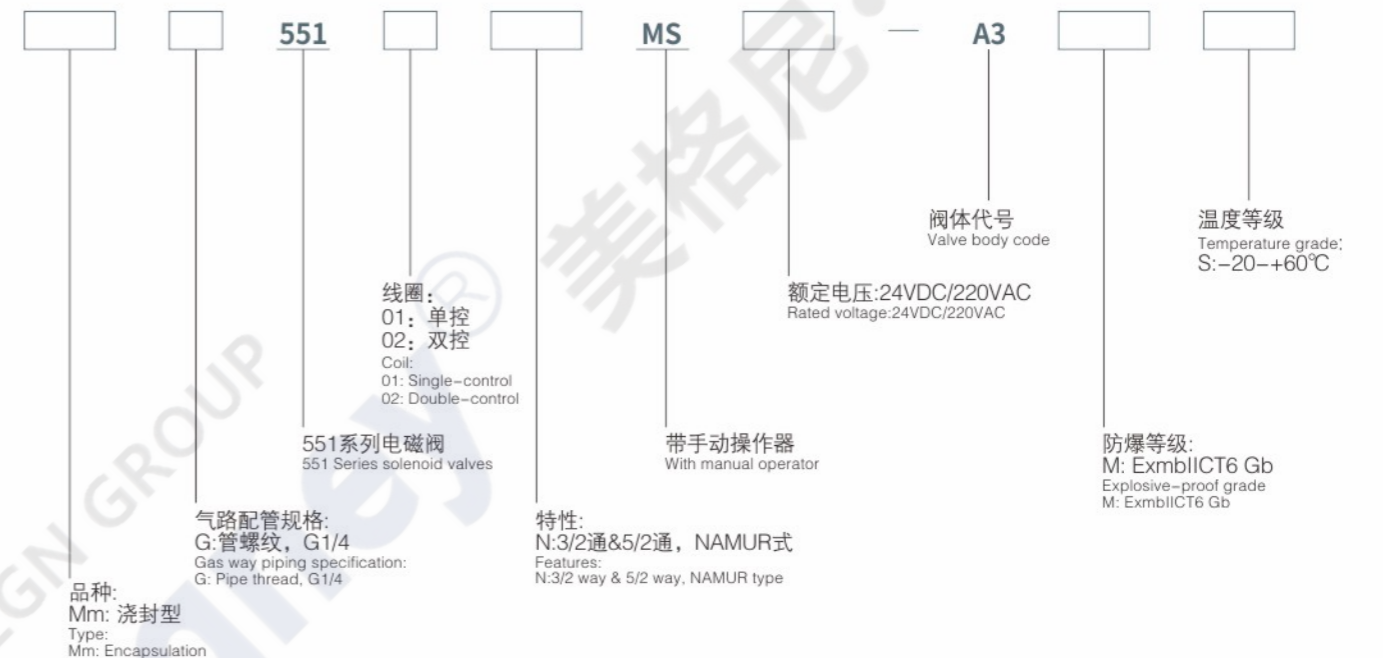
安装使用注意事项 Notes for installation and use

1. 用户安装使用和维护本产品时, 必须先断电源。
 2. 线圈引入为三根线, 其中黄绿线为接地线。
 3. 线圈引入线的长度不够时, 中间必须有相应防爆等级的接线盒进行连接。
 4. 用户安装使用和维护本产品时, 必须遵守Gb3836防爆标准的有关规定。
1. Users shall not install or maintain the product before disconnecting the power supply
 2. The coil entry is "three wires", in which, the yellow and green wires are grounding wires.
 3. If the length of the incoming coil cable is not long enough, there must be junction box with corresponding explosion-proof grade used for connection.
 4. Users must follow the provisions of GB3836 Explosion-proof Standard when installing, using and maintaining this product.

接线图 Wiring Diagram



订货谱式 Order spectrum





IW

精密过滤减压阀

Precision Filter Decompressor



特点

- ◆防止水及尘埃进入其它气动仪表元件内。
- ◆当供应压力有所改变时，仍能精密保持稳定的输出压力。
- ◆铜质(或不锈钢)滤芯有更高的抗腐力和长寿命。
- ◆适合阀门和轮机上使用。

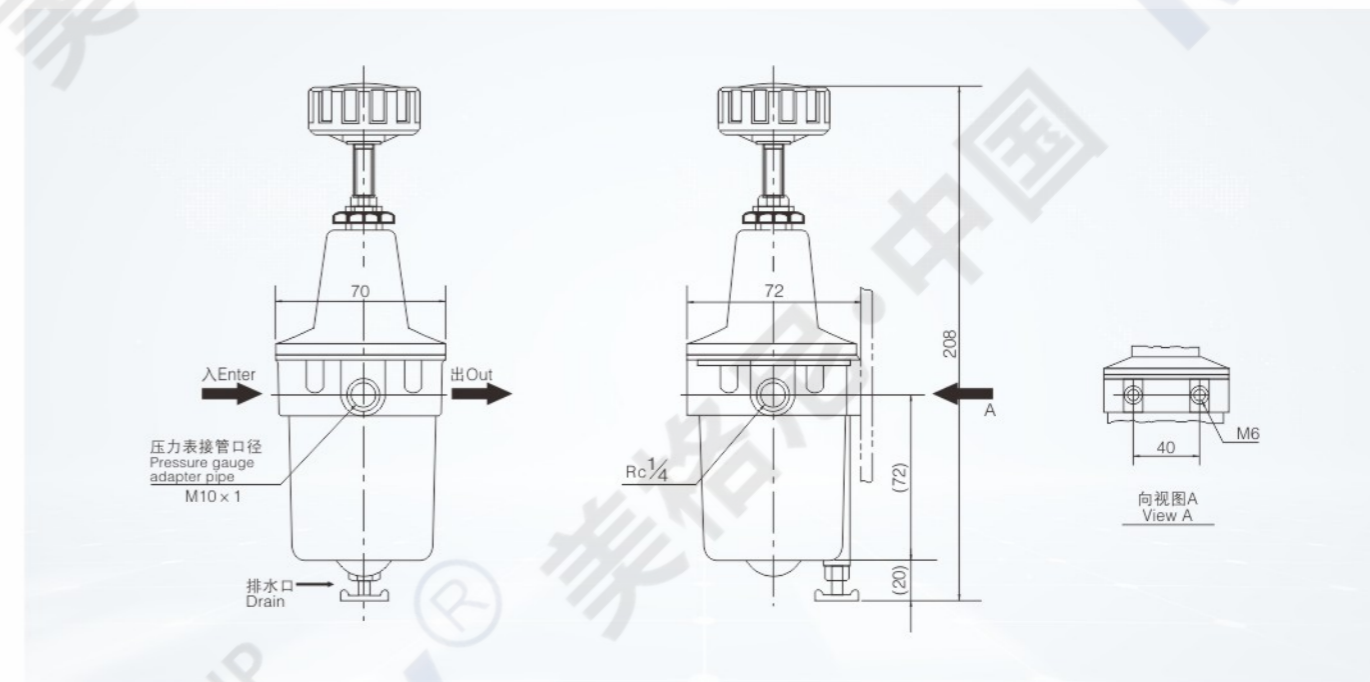
Features

- ◆Prevent water and dust from entering other pneumatic instrument components.
- ◆When the supply pressure changes, it can still maintain precise and stable pressure output.
- ◆Copper (or stainless steel) filter element is featured with better corrosion resistance and longer service life.
- ◆Suitable for being used on valves and turbines.

规格 Specifications

型号 Model	最高使用压力 Max. use pressure	调压范围(MPa) Pressure adjustable range	额定流量 Rated flow	环境和流体温度 Environment and fluid temperature	接管口径 Take over caliber		重量(kgf) Weight	阀体材料 Body material	托架 Bracket	压力表 Pressure gauge
					过滤孔径 Filtration aperture	压力表口径 Pressure gauge diameter				
IW212	1.0MPa	0.02~0.25	4M ³ /h	常温型 Room temperature type: -20~60°C	5-20μm	Rc 1/4	0.85	0: 铝合金 Aluminum alloy		Y40-4
IW214	1.0MPa	0.02~0.4	4M ³ /h	低温型 Low temperature type: -40~60°C	5-20μm	(M10 x 1)	0.85	1: 2:316L		Y40-6
IW216	1.0MPa	0.02~0.6	4M ³ /h		5-20μm		0.85			Y40-10

外形尺寸 Outside Dimension



订货谱式 Order Spectrum

型号 Model	系列号 Serial number	输出压力 Output pressure	接口螺纹 Interface thread	接管口径 Adapter pipe diameter	材质 Material	环境温度 Ambient temperature
IW	2	12 0.2MPa 14 0.4MPa 16 0.6MPa	R Rc N NPT □	02 1/4	0 铝合金 Aluminum alloy 1 2 SS316	S 常温型 Room temperature type L 低温型 Low temperature type



IL100

气动放大器

Pneumatic Amplifier



产品简介

气动放大器 IL100 是接收安装在气动控制阀上的定位器的输出压力，以相同压力给执行机构输入大流量的气源，加快控制阀动作速度的装置。

Product Introduction

Pneumatic amplifier IL100 is a device that receives the output pressure from the positioner installed on the pneumatic control valve, and inputs large-flux gas to the actuator with the same pressure to accelerate the speed of control valve acting.

技术参数 Technical Parameters

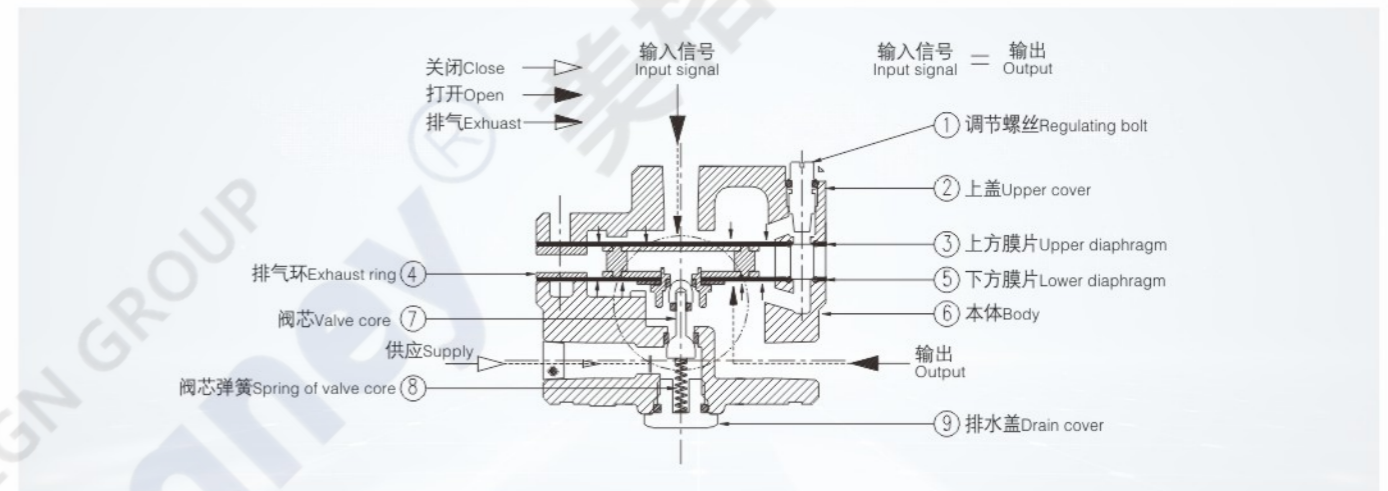
型号Model	IL100-02	IL100-03	IL100-04	IL100-06
使用压力Using pressure	最高10kgf/cm ² (1.0MPa) Highest 10kgf/cm ² (1.0MPa)			
讯号压力Signal pressure	最高7.0kgf/cm ² (0.7MPa) Highest 7.0kgf/cm ² (0.7MPa)			
输出压力Output pressure	最高7.0kgf/cm ² (0.7MPa) Highest 7.0kgf/cm ² (0.7MPa)			
迟滞现象Hysteresis	1%			
CV值CV Value	0.9	1.02	2.10	4.98
压力比Pressure ratio	1:1			
环境温度Ambient temperature	-20°C ~ +60°C 常温型(Room temperature type)S		-40°C ~ +60°C 低温型(Low temperature type)L	
接管口径Adapter pipe diameter	1/4	3/8	1/2	3/4
重量Weight	0.56Kg	0.5Kg	1.5Kg	2.3Kg
托架Bracket	可选配件Optional accessories			

动作原理

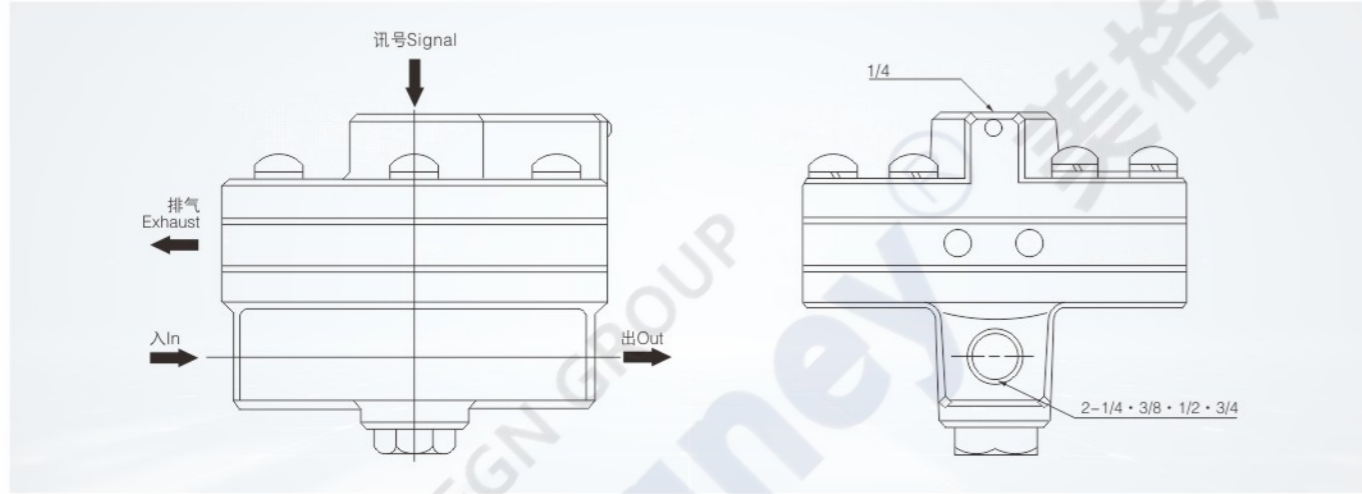
从减压阀输入气源压力(Supply)，信号接口端输入信号压力(Input Signal)，那么如下图上方膜片③受到压力，使膜片组合件向下移动，同时阀芯⑦也会向下移动，这时输入压力通过阀芯底座通路流入到输出接口(Output)并输入到执行机构。当输出压力增加到信号压力相同时，阀芯⑦重新上升，最终信号压力和输出压力保持相同。相反，输出压力大于信号压力，则膜片组合件向上移动，输出压力会通过阀芯上方空隙向排气环④排气。根据信号压力而变化的输出压力的灵敏度可以通过调节螺丝①进行调解，通过调节可以改善系统的稳定性。

Acting Principle

Input source gas pressure (Supply) from the reducing valve, input signal pressure at the signal interface end (Input Signal), then, the upper diaphragm ③ can bear pressure as shown in the figure below; move the diaphragm compound downward, the valve core ⑦ can move downward as well. At this time, the input pressure flows to the output interface (Output) through the path of the valve core base and inputs into the actuator. When the output pressure increases to be the same as the signal pressure, the valve core ⑦ will rise again, making the signal pressure keep the same with the output pressure finally. On the contrary, when the output pressure is greater than the signal pressure, the diaphragm compound will move upwards, and the output pressure will exhaust to the exhaust ring ④ through the void above the valve core. The sensitivity of the output pressure, which changes according to the signal pressure, can be adjusted by the regulating bolt ①. The overall stability of the system can be improved by such adjustment.



外形尺寸 Outside Dimension

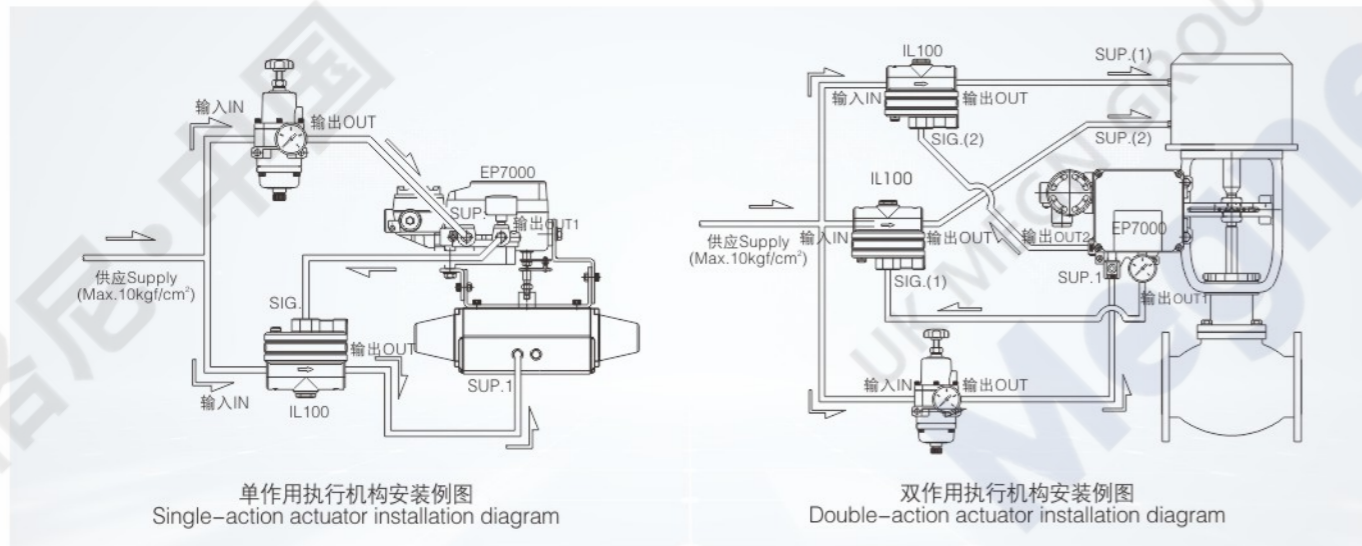


安装

- ◆ 定位器和IL100必须连接在相同的气源。
- ◆ 如果单独供压力给IL100放大器，那么输入压力减小时有可能不能马上排出。
- ◆ 为保证IL100气动放大器的输出流量，请使用大容量空气过滤减压器。
- ◆ 通过气动放大器的侧面排气口向大气排气。

Installation

- ◆ The positioner and the IL100 must be connected to the same gas source.
- ◆ If the pressure is separately supplied to the IL100 amplifier, it may not be exhausted immediately when the input pressure reduces.
- ◆ To ensure the output flux of the IL100 pneumatic amplifier, please use a large capacity air filter decompressor.
- ◆ It exhaust air to the atmosphere through the side vent of the pneumatic amplifier.



订货谱式 Order Spectrum

型号 Model	系列号 Serial number	接口螺纹 Interface thread	接管口径 Adapter pipe diameter	材质 Material	环境温度 Ambient temperature
IL	100	<input type="checkbox"/> Rc <input type="checkbox"/> NPT <input type="checkbox"/>	<input type="checkbox"/> 02 1/4 <input type="checkbox"/> 03 3/8 <input type="checkbox"/> 04 1/2 <input type="checkbox"/> 06 3/4	<input type="checkbox"/> 0 铝合金 Aluminum alloy <input type="checkbox"/> 1 <input type="checkbox"/> 2	<input type="checkbox"/> S 常温型 Room temperature type <input type="checkbox"/> L 低温型 Low temperature type

IL200

气锁阀

Air Lock Valve



特点

- ◆防止因气源或供气线路故障，而导致气动操作控制线路发生意外。
- ◆锁定阀门能令工具端保持压力，直到气源或供气线路恢复正常。

Features

- ◆Prevent accidents in pneumatic operation control lines caused by failure of gas source or supply lines.
- ◆Pressure at the tool end can be maintained by locking the valve, till the gas source or supply lines resume back to normal.

技术参数 Technical Parameters

型号Model	IL201	IL211
动作型式Action mode	单动Single-action	双动Double-action
保证耐压力 Guaranteed pressure resistance	最高9.9kgf/cm ² (0.99MPa) Max 9.9kgf/cm ² (0.99MPa)	
讯号压力Signal pressure	1.4~7kgf/cm ² (0.14~0.7MPa)	
使用压力Using pressure	最高7kgf/cm ² (0.7MPa) Max. 7kgf/cm ² (0.7MPa)	
迟滞现象Hysteresis	0.1kgf/cm ² 以下 Below 0.1kgf/cm ²	
CV值CV Value	0.9(1/4)	3.6(1/2)
环境及流体温度 Environmental and fluid temperature	-20°C ~ +60°C(常温Normal temperature)	-40°C ~ +60°C(低温Low temperature)
接管口径Port diameter	02-Rc(PT)1/4, 04-Rc(PT)1/2	
重量Weight	455(单Single),1000(双Pairs)	640(单Single),2000(双Pairs)

动作原理

作用于上部隔膜腔的供气压力超过设定的弹簧力时提升隔膜，堵住排气口，信号空气流向下部隔膜腔。信号空气压缩弹簧，阀门被打开，这时入口和出口连通。

信号供给压力低于设定压力时隔膜腔被压缩，下部隔膜腔的气压向排出口排。导致气锁阀被弹簧的力关住，空气回路被切断。

Action Principle

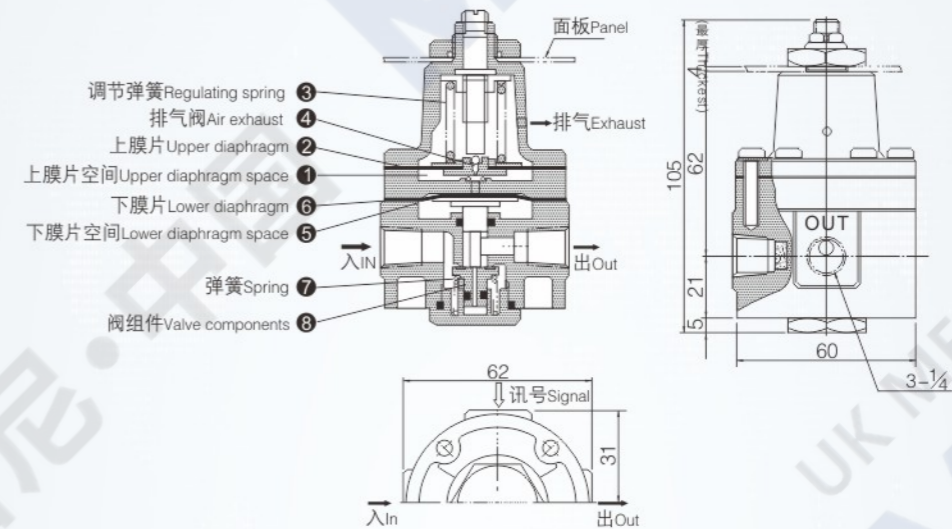
When the air supply pressure acting on the upper diaphragm chamber exceeds the set spring force, the diaphragm shall be lifted to block the exhaust port, and the signal air flows to the lower diaphragm chamber. The signal air compresses the spring to open the valve. At this time, the inlet and the outlet are connected.

When the signal supply pressure is lower than the set pressure, the diaphragm chamber is compressed, and the air pressure in the lower diaphragm chamber is discharged to the exhaust outlet. This makes the air lock valve be closed by the force of the spring, and the air circuit is cut off at this time.

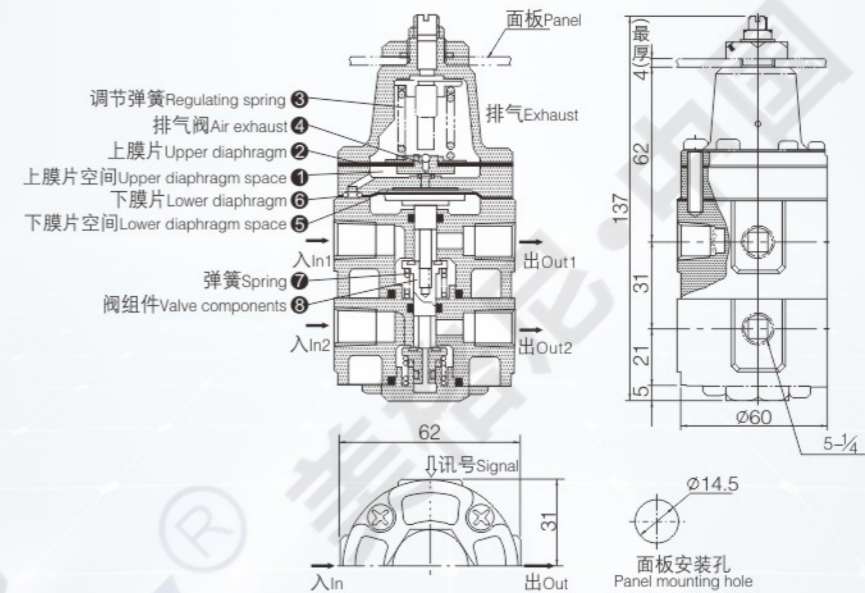
订货谱式 Order Spectrum

型号 Model	系列号 Serial number	螺纹规格 Thread specification	接管口径 Adapter pipe diameter	材质 Material	环境温度 Ambient temperature
IL2	01 单动Single action	R Rc	02 1/4	0 铝合金 Aluminum alloy	S -20°C ~ +60°C(标准型) Standard type
	11 双动Double action	N NPT	04 1/2		L -40°C ~ +60°C(低温型) Low temperature type

单动Single-action/IL201



双动Double-action/IL211



注意

- 1、把螺丝逆时针方向旋转时压力上升，反方向旋转时压力下降。
- 2、调节完压力后要安装锁定螺母。
- 3、空气处理控制器的空气管道破损导致供给空气不良时，不能让空气流入气锁阀，直到返回正常情况为止。

Notes

1. The pressure rises when the screw is rotated along counterclockwise direction, and decreases when being rotated along the opposite direction.
2. Install locking nuts after adjusting the pressure.
3. When the air supply can not be maintained normally due to the damage of the air duct in the air handling controller, the air cannot flow to the air lock valve till the situation returns back to normal.



4A400

气控阀

Air Control Valve



特点

- ◆滑柱式结构，密封性好，反应灵敏；
- ◆三位置气动阀有三种中间功能可供选择；
- ◆双头二位置气控具有记忆功能；
- ◆内孔采用特殊工艺加工，摩擦阻力小，启动气压低，使用寿命长；
- ◆无需加油润滑；
- ◆可与底座集成阀组，节省安装空间。

Features

- ◆Sliding column structure, good sealing, sensitive response;
- ◆Three-position pneumatic valve has three intermediate functions to choose from;
- ◆Double head and two position air control has memory function;
- ◆The inner hole is processed by special technology, which has low friction resistance, low starting air pressure and long service life;
- ◆No need to add oil and lubricate;
- ◆It can be integrated with the base valve group to save installation space.

规格 Specification

型号Model	4A410-15	4A420-15	4A430C-15	4A430E-15	4A430P-15
工作介质Working medium	空气(经40 μm以上滤网过滤)Air (filtered through a filter over 40 μm)				
动作方式Action mode	外部气控式External air control				
接管口径①Port diameter①	进气=出气=排气=PT1/2 Intake=outlet=exhaust=PT1/2				
有效截面积Effective cross-sectional area	50.0mm ² (Cv=2.79)		30.0mm ² (Cv=2.79)		
位置数Number of positions	五口二位Two of five		五口三位Three of five		
使用压力范围Operating pressure range	0.15~0.8MPa(21~114psi)				
保证而压力Assurance and pressure	1.5MPa(215psi)				
工作温度Operating temperature	-20~70°C				
本体材质Body material	铝合金Aluminum alloy				
润滑②lubricating②	不需要Unnecessary				
最高动作频率③Maximum operating frequency③	3次/秒3 times/second				
重量Weight	555	685	735		

①接管牙型有NPT、G牙可供选择；

②如有加油润滑，中途不可停止，建议润滑油为ISO VG32或同级油；

③最高动作频率为空载时状态；

① There are NPT and G teeth for the connection tooth type;

② If there is oil lubrication, do not stop in the middle, it is recommended that the lubricating oil is ISO VG32 or the same level of oil;

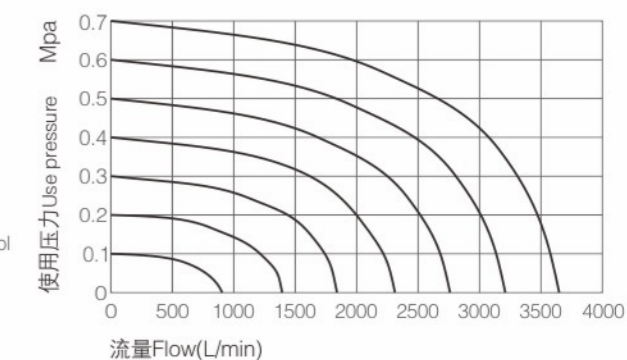
③ The highest operating frequency is at no-load state.

订货谱式 Order Spectrum

4A	4	10	15	
				□
				牙型代码Tooth type code G: G牙G Teeth
				接管口径Port diameter 15: PT1/2
				气控方式Air control method 10: 双位置单气控Two position single air control 20: 双位置变气控Two-position variable air control
				系列代号Series code 400系列Series
				规格代号Specification code 4A: 五口二位、五口三位气控阀 4A: Five-port two-position, five-port three-position air control valve

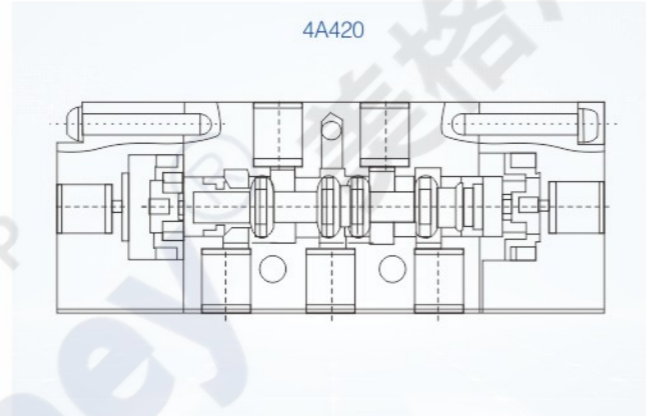
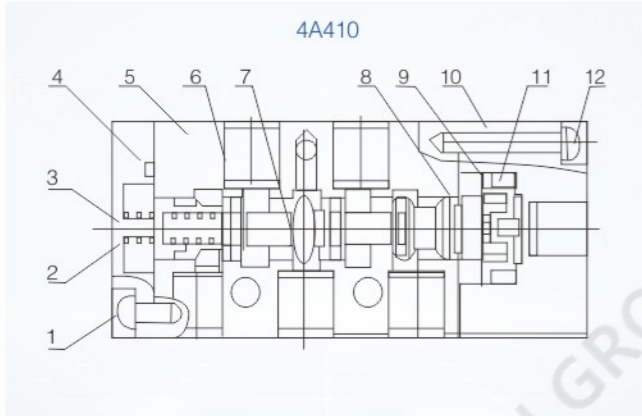
流量特性Flow characteristics

型号Model: 4A410-15



与您分享国外高品质流体控制阀方案
Share with you the schemes of premium foreign fluid control valves

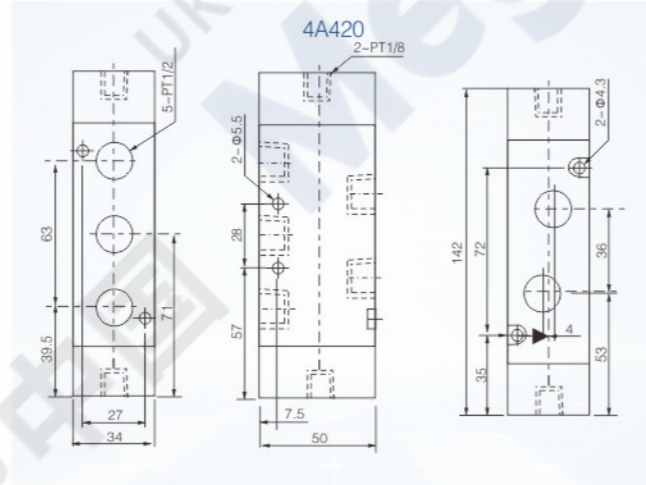
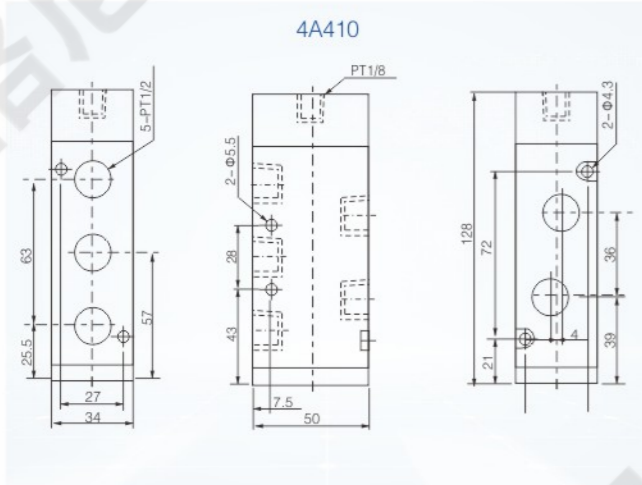
内部结构 Internal structure



序号NO.	名称Name
1	圆头螺钉Round head screw
2	弹簧Spring
3	底盖Bottom cover
4	止泄垫Stop leak pad
5	本体Body
6	O令O Make

7	轴芯Shaft core
8	耐磨环Wear ring
9	活塞Piston
10	引导本体Boot ontology
11	O令O Make
12	圆头螺钉Round head screw

外部规格 External Specifications



ENGINEERING PERFORMANCE

工程业绩

